

> ST737203 - SHORT BLOCK

| KEY | PART NO. | PART NAME | QTY | REMARKS |
|-----|-----------|-----------------------------|-----|---|
| 4 | M809594 | PLUG | 1 | |
| 5 | CH18379 | PLUG | 1 | |
| 6 | MIU802279 | BOLT | 10 | |
| 7 | | BEARING CAP | 1 | |
| 8 | | BEARING CAP | 4 | |
| 9 | AT211656 | BUSHING | 1 | |
| 10 | | PLUG | 5 | |
| 11 | CH18079 | SPRING PIN | 2 | |
| 12 | M806938 | PLUG | 1 | |
| 13 | M806938 | PLUG | 1 | |
| 14 | M806938 | PLUG | 1 | |
| 21 | MIU802270 | BOLT | 18 | |
| 22 | MIU802271 | ENGINE CYLINDER HEAD GASKET | 1 | |
| 23 | MIA880548 | BEARING | 5 | Main |
| 23 | MIA880547 | BEARING | 5 | 0.25 US |
| 29 | MIA880558 | BEARING | 2 | Thrust |
| 30 | MIA884573 | SHORT ENGINE | 1 | Includes Crankshaft, Connecting Rods, Camshaft, Lifter, and Pistons |

<https://www.ebooklibonline.com>

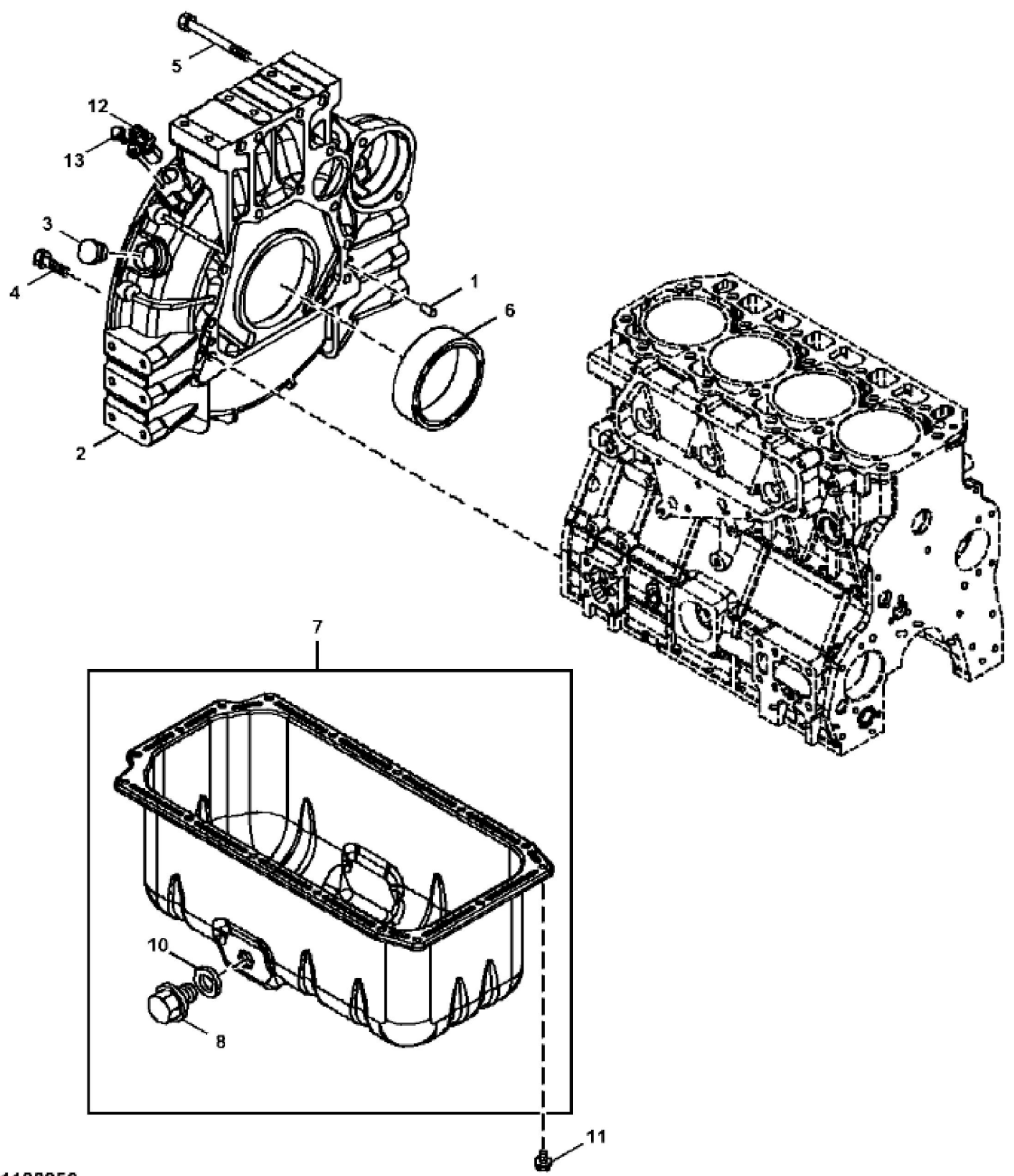
Hello dear friend!

Thank you very much for reading.

Enter the link into your browser.

The full manual is available for immediate download.

<https://www.ebooklibonline.com>



TX1122256



Suggest:

For more complete manuals. Please go to the home page.

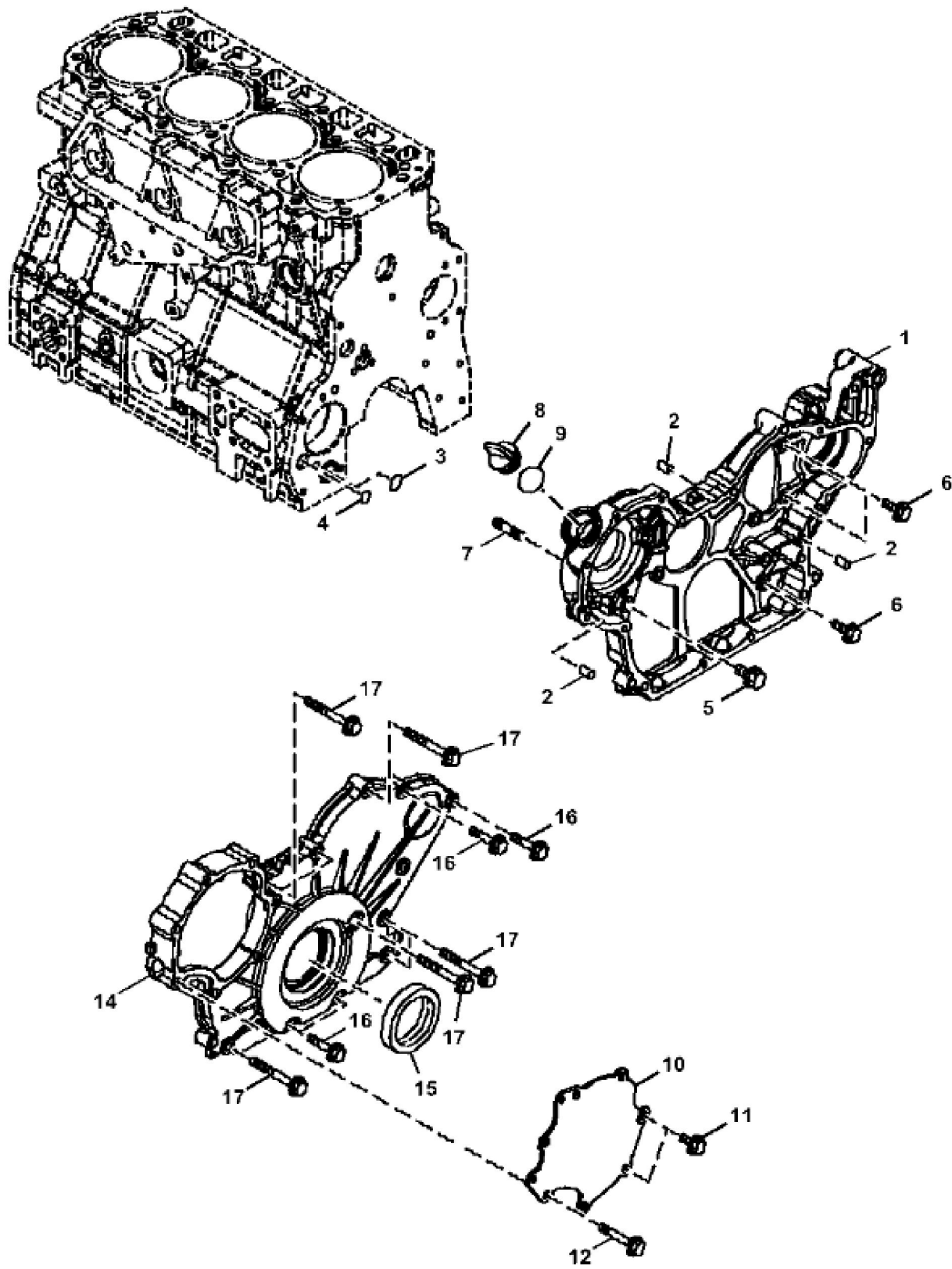
<https://www.ebooklibonline.com>

If the above button click is invalid. Please download this document first, and then click the above link to download the complete manual.

Thank you so much for reading

>ST737512 - FLYWHEEL HOUSING AND OIL SUMP

| KEY | PART NO. | PART NAME | QTY | REMARKS | |
|-----|-----------|------------|-----|---------|--|
| 1 | M802255 | PIN | 2 | | |
| 2 | MIU802276 | HOUSING | 1 | | |
| 3 | M88659 | PLUG | 1 | | |
| 4 | AT211675 | CAP SCREW | 9 | | |
| 5 | MIU802452 | BOLT | 4 | | |
| 6 | MIU801095 | SEAL | 1 | | |
| 7 | MIA882146 | OIL PAN | 1 | | |
| 8 | M806544 | DRAIN PLUG | 1 | | |
| 10 | M806545 | WASHER | 1 | | |
| 11 | 19M7864 | SCREW | 16 | M8 X 12 | |
| 12 | MIU802254 | SENSOR | 1 | Crank | |
| 13 | CH19140 | BOLT | 1 | | |



TX1122255

<https://www.ebooklibonline.com>

Hello dear friend!

Thank you very much for reading.

Enter the link into your browser.

The full manual is available for immediate download.

<https://www.ebooklibonline.com>