

KEY	PART NO.	PART NAME	QTY	Engine Serial No.	REMARKS
1	.....	CYLINDER BLOCK	NA	____-113663	(MARKED R504114) (USE WITH RE515351)
1	.....	CYLINDER BLOCK	NA	113664-____	(MARKED R522413) (USE WITH RE529913)
2	34M7094	SPRING PIN	1		4 X 16 mm
3	R528188	PIN	5		
4	R502725	PLUG	1		
5	RE71255	PIPE PLUG	28		1/8"-27NPT
6	34M7247	SPRING PIN	2		11 X 16 mm
7	R504965	PLUG	1		
8	15H685	PIPE PLUG	1		1/4"
9	R48685	DOWEL PIN	2		(SUB FOR A120R)
10	R116466	PLUG	7		
11	R515003	SCREW	12		
12	R505135	ORIFICE	5		
13	T18891	PLUG	1		OD 16MM
14	R504808	BUSHING	5		
15	L157372	SCREW	2		
16	.....	CAMSHAFT	1		(MARKED R528141) (ORDER RE524772)(9901)
16	RE524772	CAM KIT	1		
16	SE501619	CAMSHAFT REMAN	1		(REMAN FOR RE524772)
17	RE518215	BALL BEARING	1		
..	.....	COMPLETE BLOCK ASSEMBLY	1		(9901)
..	.....	OIL PUMP INTAKE	1	____-113663	(1900)
..	.....	OIL PUMP INTAKE	1	113664-____	(1900)

**<https://www.ebooklibonline.com>**

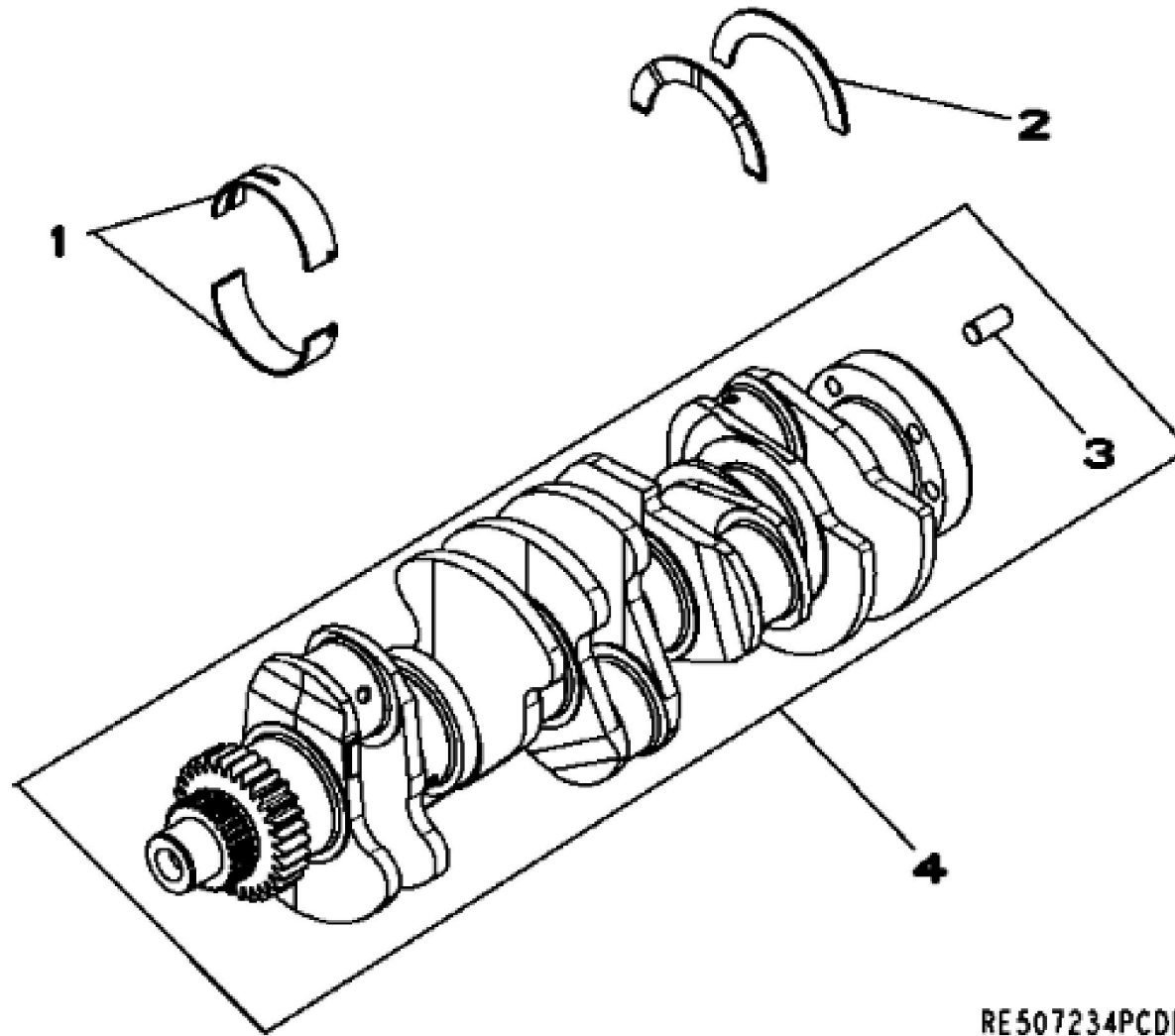
Hello dear friend!

Thank you very much for reading.

Enter the link into your browser.

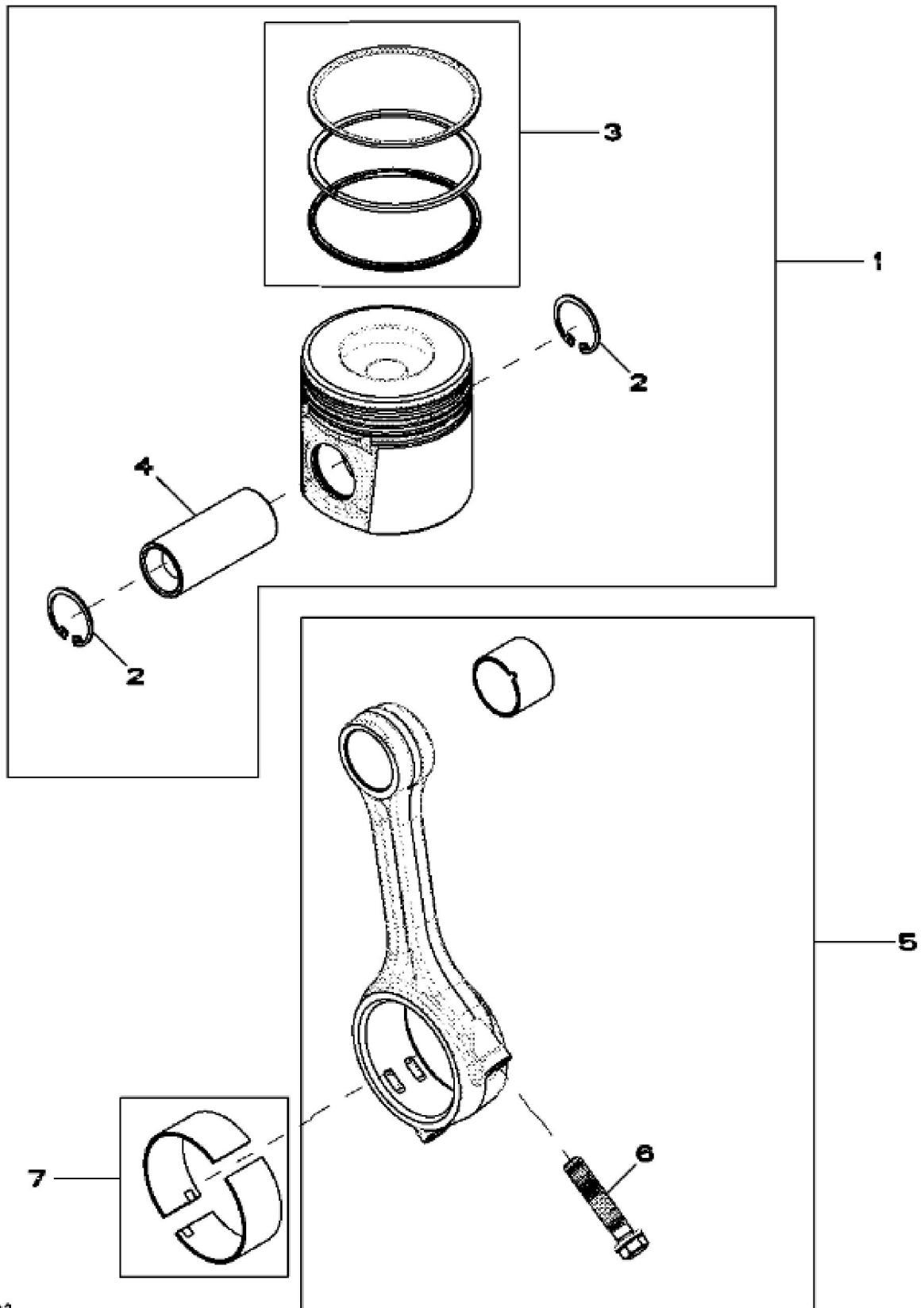
The full manual is available for immediate download.

**<https://www.ebooklibonline.com>**



RE507234PCDD02

KEY	PART NO.	PART NAME	QTY	REMARKS	
1	RE520626	BEARING KIT	6	STD (9901)	
2	R502796	THRUST WASHER	2	(1 PC)	
2	RE520627	BEARING KIT	1	(2 PC), (9901)	
3	R48685	DOWEL PIN	1		
4	RE505340	CRANKSHAFT	1		
4	SE501643	CRANKSHAFT REMAN	1	(WITH BEARINGS) (REMAN FOR RE505340)	



RE 509712PCDD02



**Suggest:**

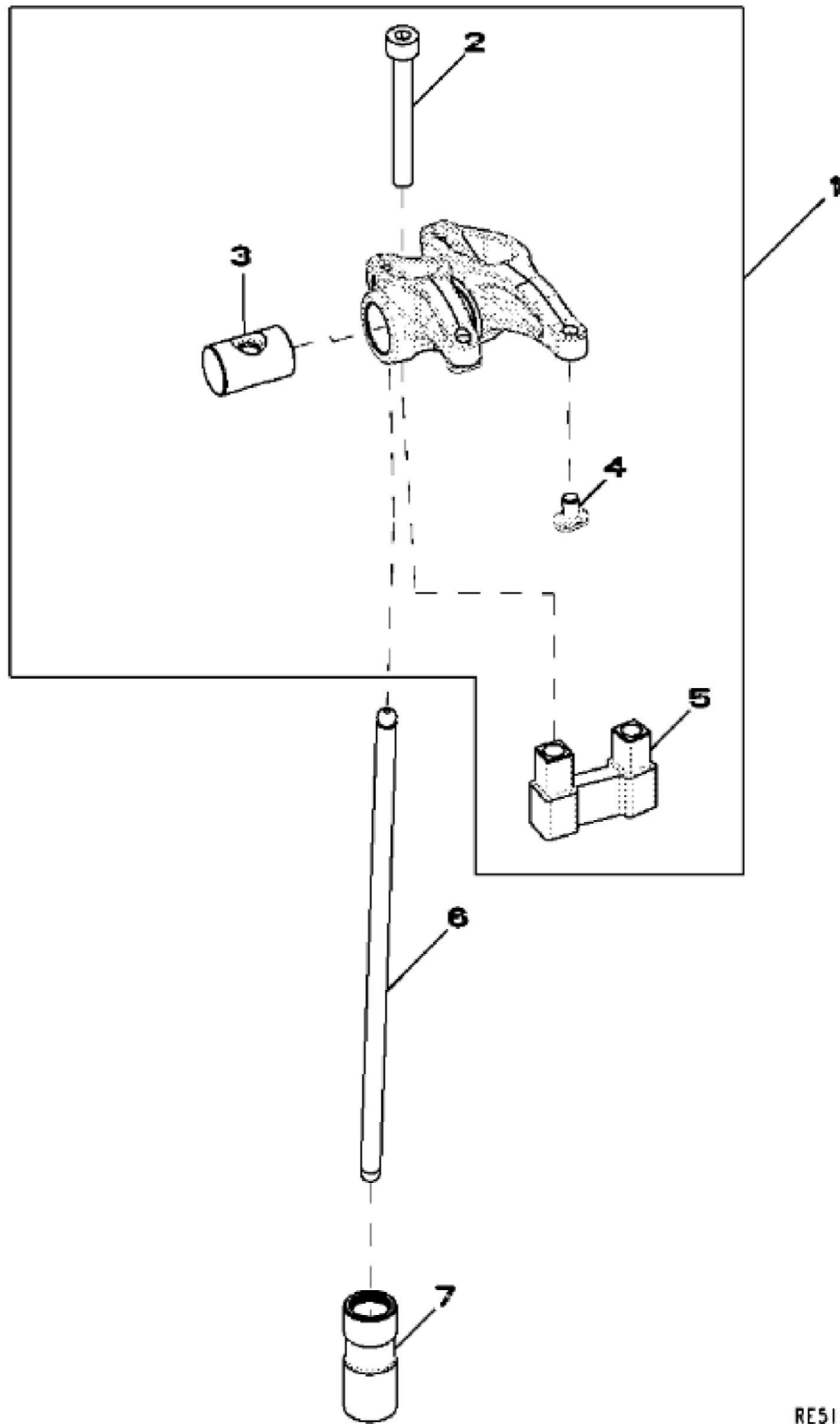
**For more complete manuals. Please go to the home page.**

**<https://www.ebooklibonline.com>**

**If the above button click is invalid. Please download this document first, and then click the above link to download the complete manual.**

**Thank you so much for reading**

KEY	PART NO.	PART NAME	QTY	REMARKS	
1	RE520936	PISTON REPLACEMENT KIT	5	STD, (MARKED RE516347)	
2	40M1855	SNAP RING	10		
3	RE520935	PISTON RING KIT	5	STD	
4	R503480	PISTON PIN	5	OD 30MM	
5	RE504544	CONNECTING ROD	5		
5	SE501898	CONNECTING ROD REMAN	5	(REMAN FOR RE504544)	
6	R502503	SCREW	10	M10 X 49	
7	RE520937	BEARING KIT	5	STD	



RES18812PCDH02

**<https://www.ebooklibonline.com>**

Hello dear friend!

Thank you very much for reading.

Enter the link into your browser.

The full manual is available for immediate download.

**<https://www.ebooklibonline.com>**