

John Deere > Turf And Utility > LOADER, SKID-STEER > 330G - LOADER, SKID-STEER > 330G Skid Steer Loader (PIN: 1T0330G__F300253-) > 04 ENGINE AT436698 > 0432 FINISH ASSEMBLY, ENGINE > ST861973 - CYLINDER BLOCK (ENGINE 4TNV94FHT-ETN120177)

KEY	PART NO.	PART NAME	QTY	REMARKS
1	MIA884501	CYLINDER BLOCK	1	
4	M809594	PLUG	1	
5	CH18379	PLUG	1	
6	MIU802279	BOLT	10	
9	AT211656	BUSHING	1	
11	CH18079	SPRING PIN	2	
12	M806938	PLUG	1	
13	M806938	PLUG	1	
14	M806938	PLUG	1	
18	MIA880556	BEARING	2	
18	MIA880558	BEARING	2	Oversized 0.25
21	MIU802270	BOLT	18	
22	MIU802271	ENGINE CYLINDER HEAD GASKET	1	
23	M806437	WASHER	1	
24	M803787	BOLT	1	
25	MIA880548	BEARING	5	
25	MIA880547	BEARING	5	Undersized 0.25

<https://www.ebooklibonline.com>

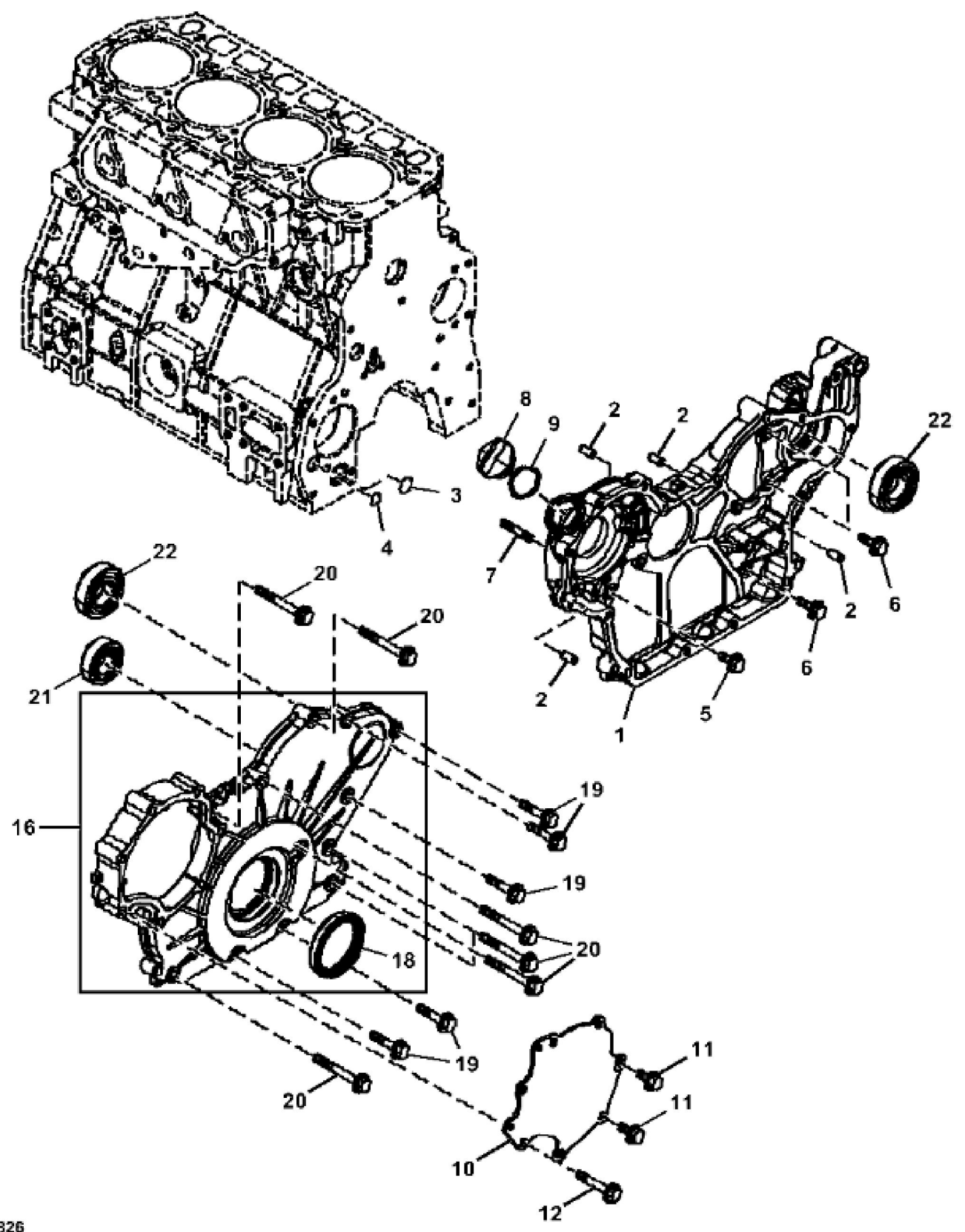
Hello dear friend!

Thank you very much for reading.

Enter the link into your browser.

The full manual is available for immediate download.

<https://www.ebooklibonline.com>



John Deere > Turf And Utility > LOADER, SKID-STEER > 330G - LOADER, SKID-STEER > 330G Skid Steer Loader (PIN: 1T0330G__F300253-) > 04 ENGINE AT436698 > 0432 FINISH ASSEMBLY, ENGINE > ST861752 - GEAR HOUSING (ENGINE 4TNV94FHT-ETN120177)

KEY	PART NO.	PART NAME	QTY	REMARKS
1	MIU804343	GEAR CASE	1	
2	M802255	PIN	4	
3	AT211670	O-RING	1	
4	AT211671	O-RING	1	
5	19M7865	SCREW	1	M8 X 16
6	CH19139	BOLT	3	
7	LVU800577	STUD	2	
8	M805710	CAP	1	
9	M805711	PACKING	1	
10	MIU802278	COVER	1	
11	19M7865	SCREW	2	M8 X 16
12	19M7800	SCREW	5	M8 X 50
16	MIU802274	COVER	1	
18	MIU801096	SEAL	1	
19	M89128	BOLT	5	
20	CH19100	BOLT	7	
21	MIU803787	BALL BEARING	1	
22	AT211667	BALL BEARING	2	



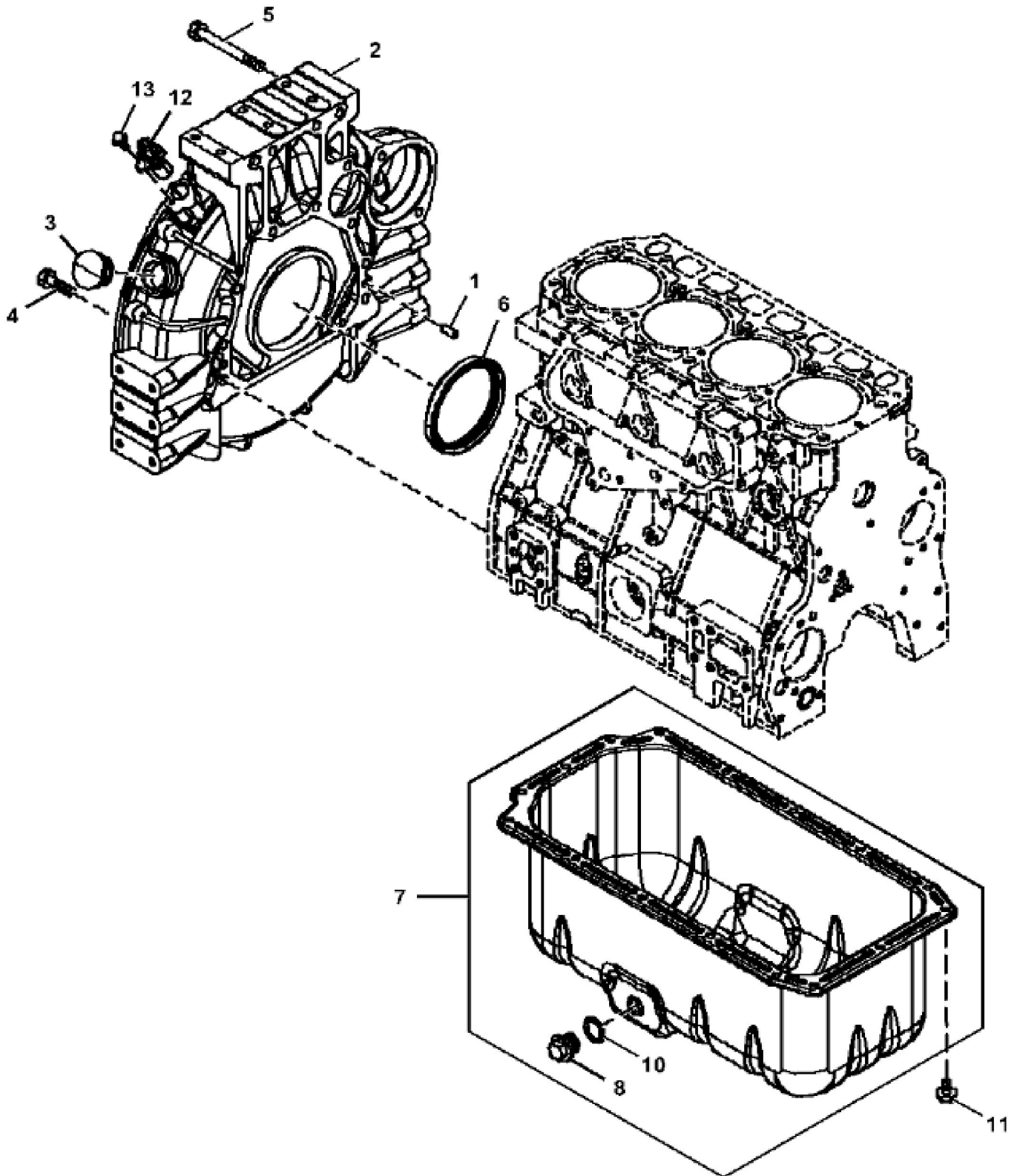
Suggest:

For more complete manuals. Please go to the home page.

<https://www.ebooklibonline.com>

If the above button click is invalid. Please download this document first, and then click the above link to download the complete manual.

Thank you so much for reading



John Deere > Turf And Utility > LOADER, SKID-STEER > 330G - LOADER, SKID-STEER > 330G Skid Steer Loader (PIN: 1T0330G__F300253-) > 04 ENGINE AT436698 > 0432 FINISH ASSEMBLY, ENGINE > ST861698 - FLYWHEEL HOUSING AND OIL SUMP (ENGINE 4TNV94FHT-ETN120177)

KEY	PART NO.	PART NAME	QTY	REMARKS	
1	M802255	PIN	2		
2	MIU802276	HOUSING	1		
3	M88659	PLUG	1		
4	AT211675	CAP SCREW	9		
5	MIU802452	BOLT	4		
6	MIU801095	SEAL	1		
7	MIA882146	OIL PAN	1		
8	M806544	DRAIN PLUG	1		
10	M806545	WASHER	1		
11	19M7864	SCREW	16	M8 X 12	
12	MIU802254	SENSOR	1	Crank	
13	CH19140	BOLT	1		

<https://www.ebooklibonline.com>

Hello dear friend!

Thank you very much for reading.

Enter the link into your browser.

The full manual is available for immediate download.

<https://www.ebooklibonline.com>