

CYLINDER BLOCK 4TNV98CHT 4TNV98CHT > ST737203 - SHORT BLOCK

| KEY | PART NO. | PART NAME | QTY | REMARKS |
|-----|-----------|-----------------------------|-----|---|
| 4 | M809594 | PLUG | 1 | |
| 5 | CH18379 | PLUG | 1 | |
| 6 | MIU802279 | BOLT | 10 | |
| 7 | | BEARING CAP | 1 | |
| 8 | | BEARING CAP | 4 | |
| 9 | AT211656 | BUSHING | 1 | |
| 10 | | PLUG | 5 | |
| 11 | CH18079 | SPRING PIN | 2 | |
| 12 | M806938 | PLUG | 1 | |
| 13 | M806938 | PLUG | 1 | |
| 14 | M806938 | PLUG | 1 | |
| 21 | MIU802270 | BOLT | 18 | |
| 22 | MIU802271 | ENGINE CYLINDER HEAD GASKET | 1 | |
| 23 | MIA880548 | BEARING | 5 | Main |
| 23 | MIA880547 | BEARING | 5 | 0.25 US |
| 29 | MIA880558 | BEARING | 2 | Thrust |
| 30 | MIA884573 | SHORT ENGINE | 1 | Includes Crankshaft, Connecting Rods, Camshaft, Lifter, and Pistons |

<https://www.ebooklibonline.com>

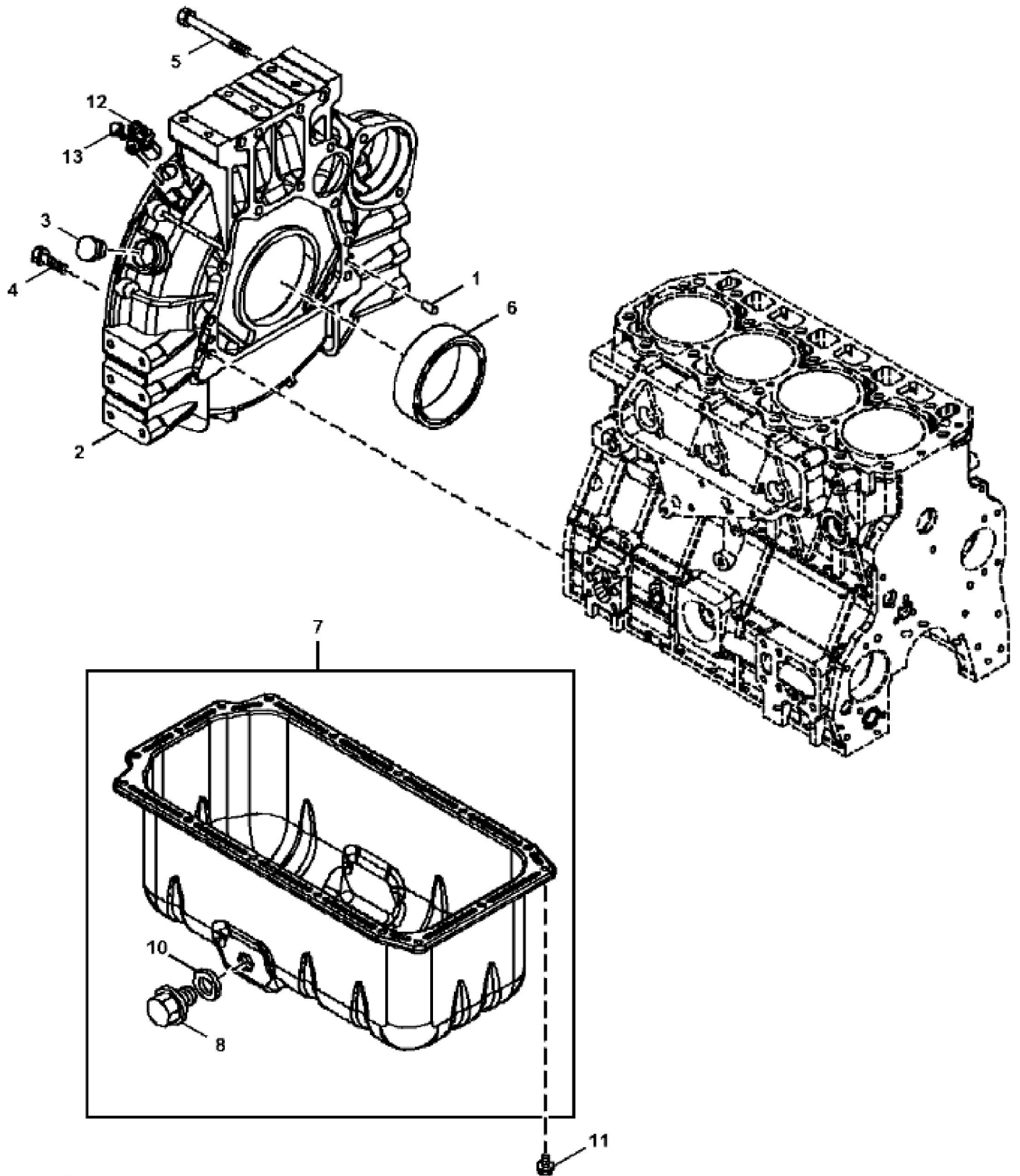
Hello dear friend!

Thank you very much for reading.

Enter the link into your browser.

The full manual is available for immediate download.

<https://www.ebooklibonline.com>



TX1122256

CYLINDER BLOCK 4TNV98CHT 4TNV98CHT > ST737512 - FLYWHEEL HOUSING AND OIL SUMP

| KEY | PART NO. | PART NAME | QTY | REMARKS | |
|-----|-----------|------------|-----|---------|--|
| 1 | M802255 | PIN | 2 | | |
| 2 | MIU802276 | HOUSING | 1 | | |
| 3 | M88659 | PLUG | 1 | | |
| 4 | AT211675 | CAP SCREW | 9 | | |
| 5 | MIU802452 | BOLT | 4 | | |
| 6 | MIU801095 | SEAL | 1 | | |
| 7 | MIA882146 | OIL PAN | 1 | | |
| 8 | M806544 | DRAIN PLUG | 1 | | |
| 10 | M806545 | WASHER | 1 | | |
| 11 | 19M7864 | SCREW | 16 | M8 X 12 | |
| 12 | MIU802254 | SENSOR | 1 | Crank | |
| 13 | CH19140 | BOLT | 1 | | |



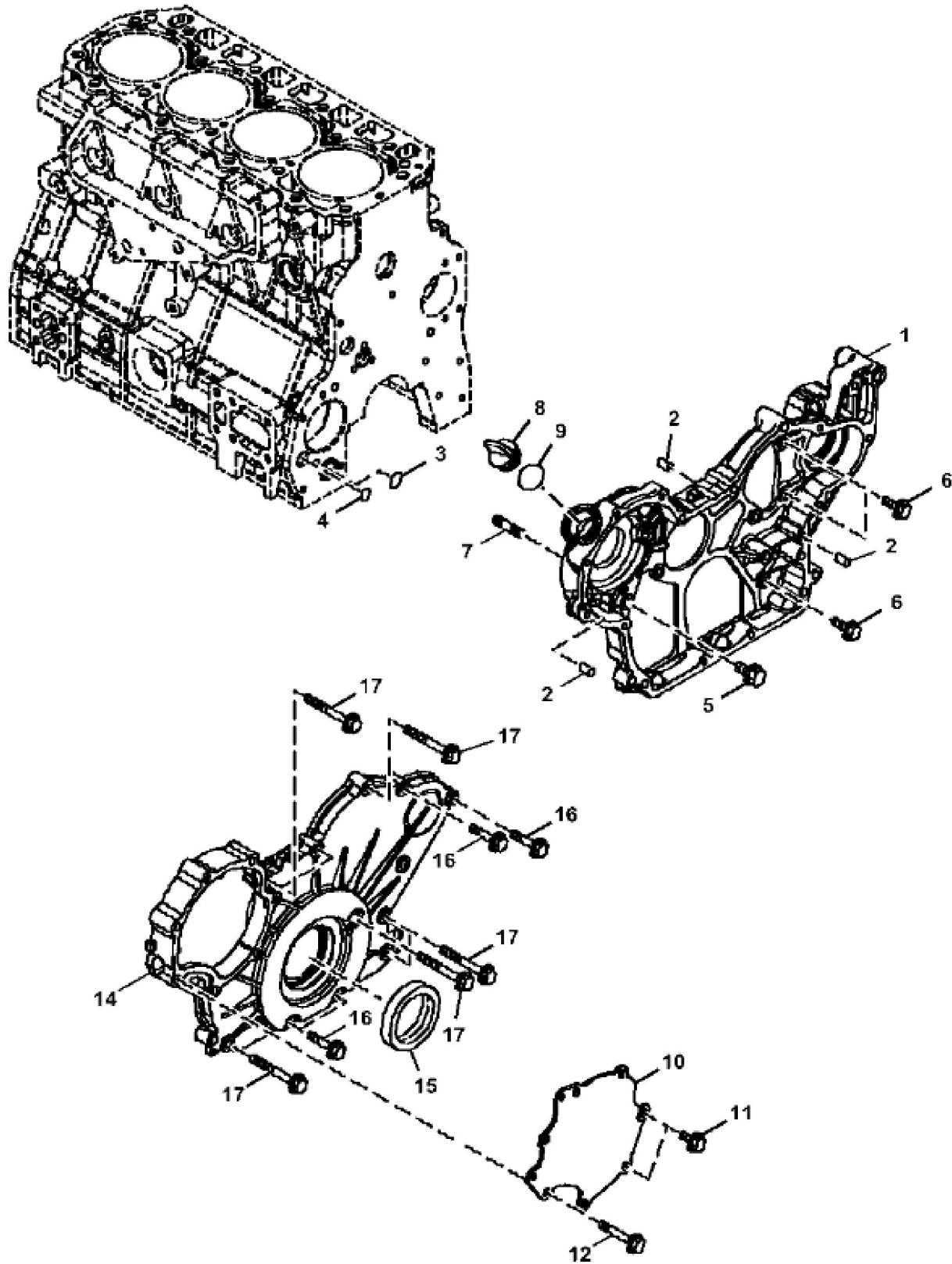
Suggest:

For more complete manuals. Please go to the home page.

<https://www.ebooklibonline.com>

If the above button click is invalid. Please download this document first, and then click the above link to download the complete manual.

Thank you so much for reading



TX1122255

CYLINDER BLOCK 4TNV98CHT 4TNV98CHT > ST737217 - GEAR HOUSING

| KEY | PART NO. | PART NAME | QTY | REMARKS | |
|-----|-----------|-----------|-----|---------|--|
| 1 | MIU802273 | HOUSING | 1 | | |
| 2 | M802255 | PIN | 4 | | |
| 3 | AT211670 | O-RING | 1 | | |
| 4 | AT211671 | O-RING | 1 | | |
| 5 | CH18390 | BOLT | 1 | | |
| 6 | CH19139 | BOLT | 3 | | |
| 7 | LVU800577 | STUD | 2 | | |
| 8 | M805710 | CAP | 1 | | |
| 9 | M805711 | PACKING | 1 | | |
| 10 | MIU802278 | COVER | 1 | | |
| 11 | CH18390 | BOLT | 2 | | |
| 12 | CH19086 | BOLT | 1 | | |
| 14 | MIU802274 | COVER | 1 | | |
| 15 | MIU801096 | SEAL | 1 | | |
| 16 | M89128 | BOLT | 5 | | |
| 17 | CH19100 | BOLT | 7 | | |

<https://www.ebooklibonline.com>

Hello dear friend!

Thank you very much for reading.

Enter the link into your browser.

The full manual is available for immediate download.

<https://www.ebooklibonline.com>