

RE538976PCDA01

KEY	PART NO.	PART NAME	QTY	REMARKS
1	R517240	SCREW	1	
2	R516770	WASHER	1	
3	19M7923	CAP SCREW	4	M6 X 12
4	R522976	WHEEL	1	
5	R523409	SPUR GEAR	1	
6	RE518215	BALL BEARING	1	
7	ARBOR	1	(9901) (ORDER RE538988)
7	RE538988	CAM KIT	1	
7	SE502123	CAMSHAFT REMAN	1	(REMAN FOR RE538988)
8	R504808	BUSHING	5	
9	T18891	PLUG	1	
10	R505135	ORIFICE	5	
11	R515003	SCREW	12	
12	R116466	PLUG	7	
13	15H685	PIPE PLUG	1	1/4"
14	R48685	DOWEL PIN	2	
15	R504965	PLUG	1	
16	34M7247	SPRING PIN	2	11 X 16 mm
17	R528188	PIN	5	
18	RE71255	PIPE PLUG	27	
19	R502725	PLUG	1	
20	L157372	SCREW	2	
21	R515112	SHIM	1	
..	COMPLETE BLOCK ASSEMBLY	1	(9901)

<https://www.ebooklibonline.com>

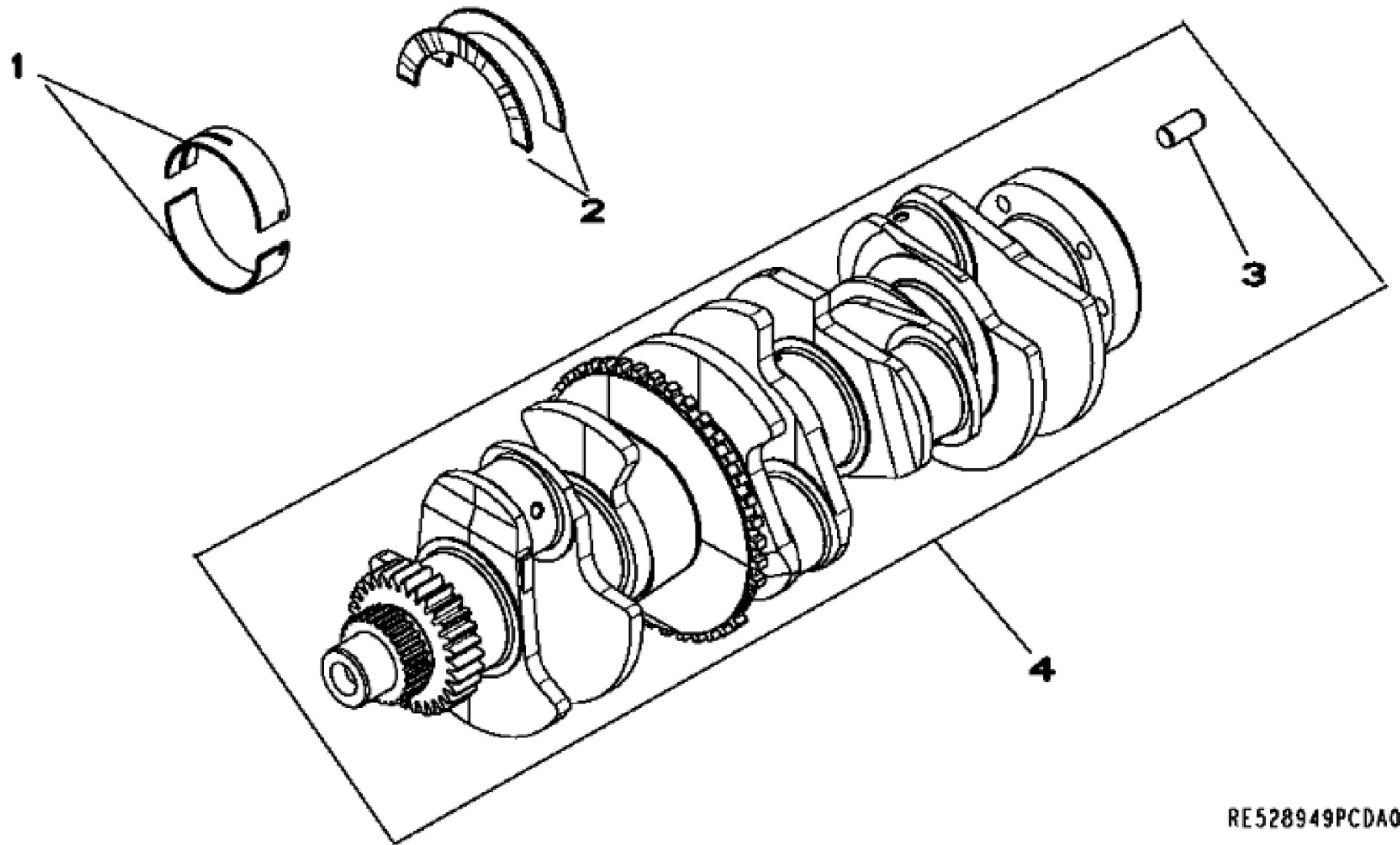
Hello dear friend!

Thank you very much for reading.

Enter the link into your browser.

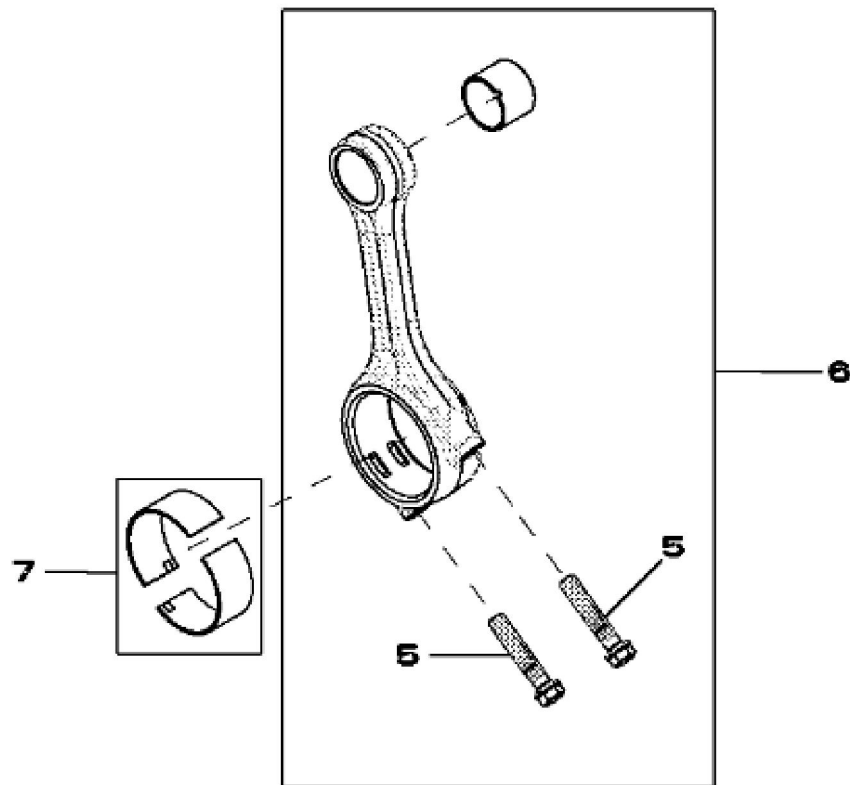
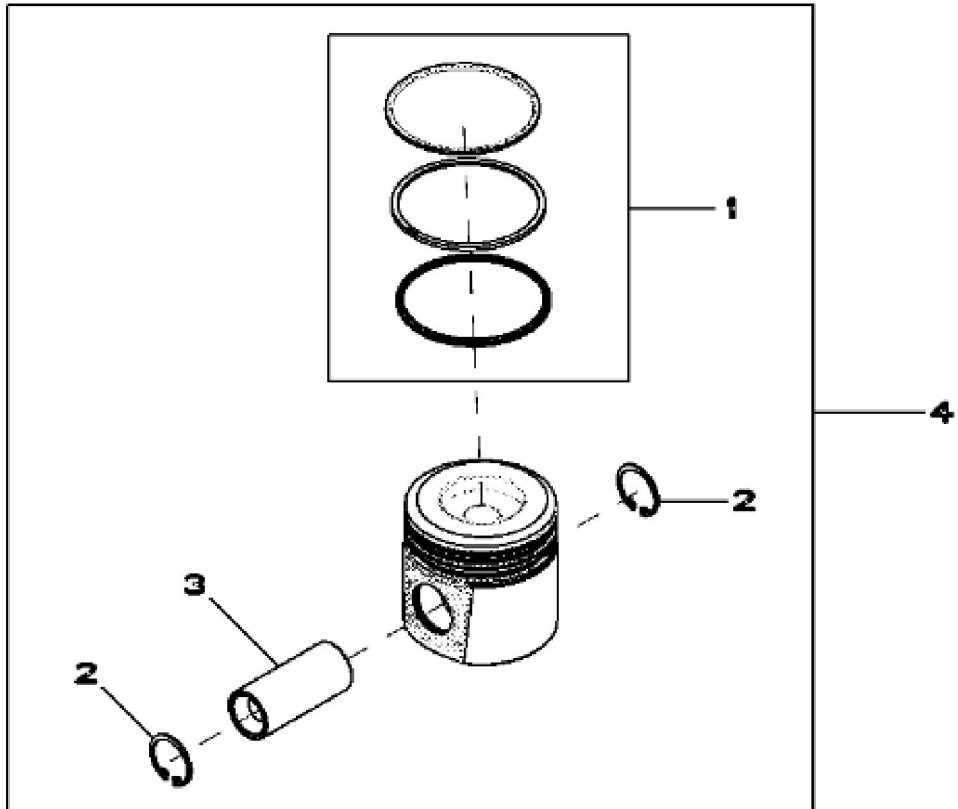
The full manual is available for immediate download.

<https://www.ebooklibonline.com>



RE528949PCDA01

KEY	PART NO.	PART NAME	QTY	REMARKS	
1	RE520626	BEARING KIT	5	STD	
2	RE520627	BEARING KIT	2		
3	R48685	DOWEL PIN	1		
4	RE527591	CRANKSHAFT	1		





Suggest:

For more complete manuals. Please go to the home page.

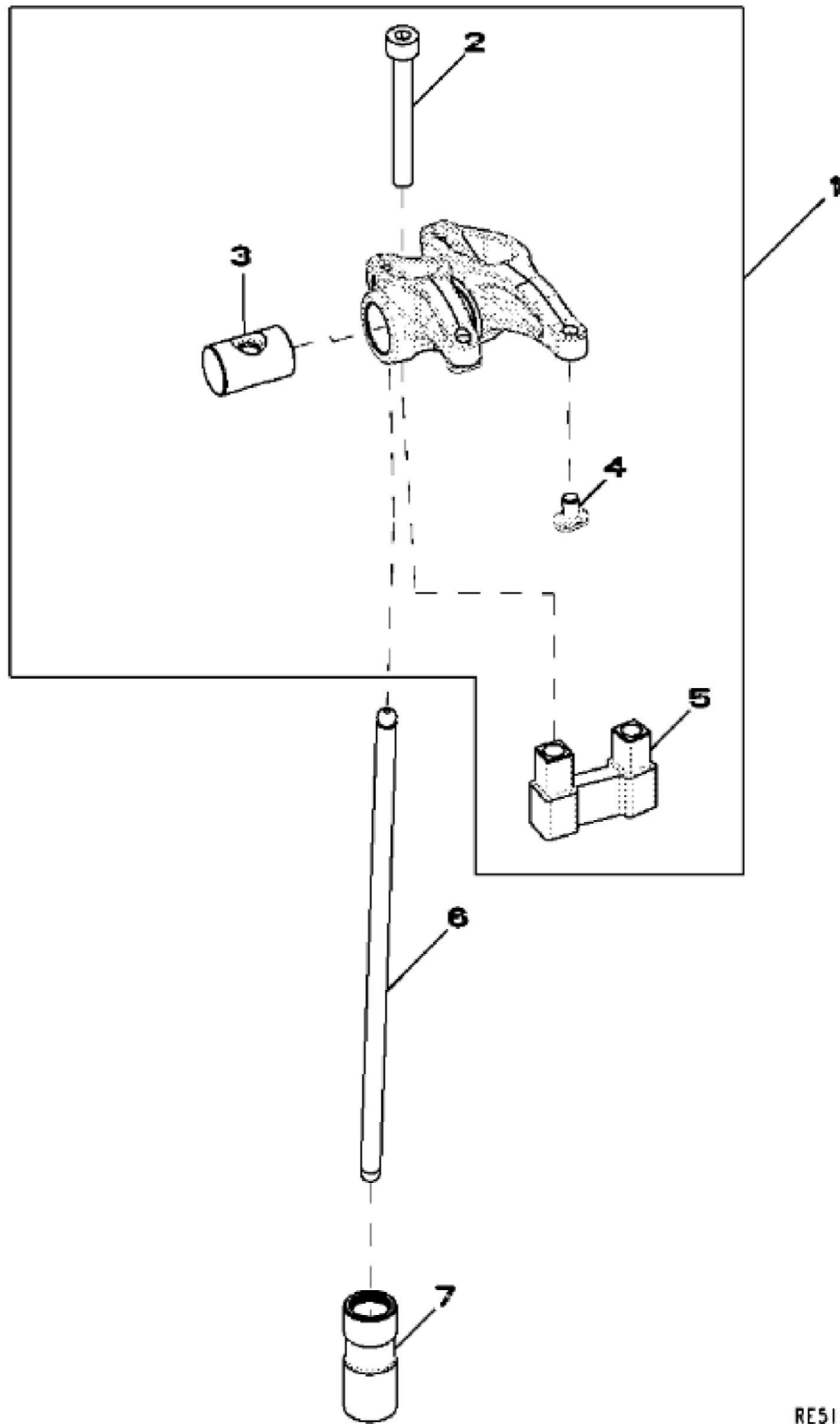
<https://www.ebooklibonline.com>

If the above button click is invalid. Please download this document first, and then click the above link to download the complete manual.

Thank you so much for reading

John Deere > Turf And Utility > LOADER, SKID-STEER > 5030HT011 - LOADER, SKID-STEER > 329D Compact Track Loader > 20 ENGINE 5030HT011-RE528668 > ST168 - 4815 CONNECTING RODS AND PISTONS

KEY	PART NO.	PART NAME	QTY	REMARKS
1	RE533955	PISTON RING KIT	5	STD
2	40M1855	SNAP RING	10	
3	R503480	PISTON PIN	5	OD 30 MM
4	RE536353	PISTON REPLACEMENT KIT	5	(MARKED RE527622) STD
5	R502503	SCREW	10	
6	RE504544	CONNECTING ROD	5	
6	SE501898	CONNECTING ROD REMAN	1	(REMAN FOR RE504544)
7	RE520937	BEARING KIT	5	STD



RE518812PCDH02

<https://www.ebooklibonline.com>

Hello dear friend!

Thank you very much for reading.

Enter the link into your browser.

The full manual is available for immediate download.

<https://www.ebooklibonline.com>