

&gt;ST737203 - SHORT BLOCK

KEY	PART NO.	PART NAME	QTY	REMARKS
4	M809594	PLUG	1	
5	CH18379	PLUG	1	
6	MIU802279	BOLT	10	
7	.....	BEARING CAP	1	
8	.....	BEARING CAP	4	
9	AT211656	BUSHING	1	
10	.....	PLUG	5	
11	CH18079	SPRING PIN	2	
12	M806938	PLUG	1	
13	M806938	PLUG	1	
14	M806938	PLUG	1	
21	MIU802270	BOLT	18	
22	MIU802271	ENGINE CYLINDER HEAD GASKET	1	
23	MIA880548	BEARING	5	Main
23	MIA880547	BEARING	5	0.25 US
29	MIA880558	BEARING	2	Thrust
30	MIA884573	SHORT ENGINE	1	Includes Crankshaft, Connecting Rods, Camshaft, Lifter, and Pistons

**<https://www.ebooklibonline.com>**

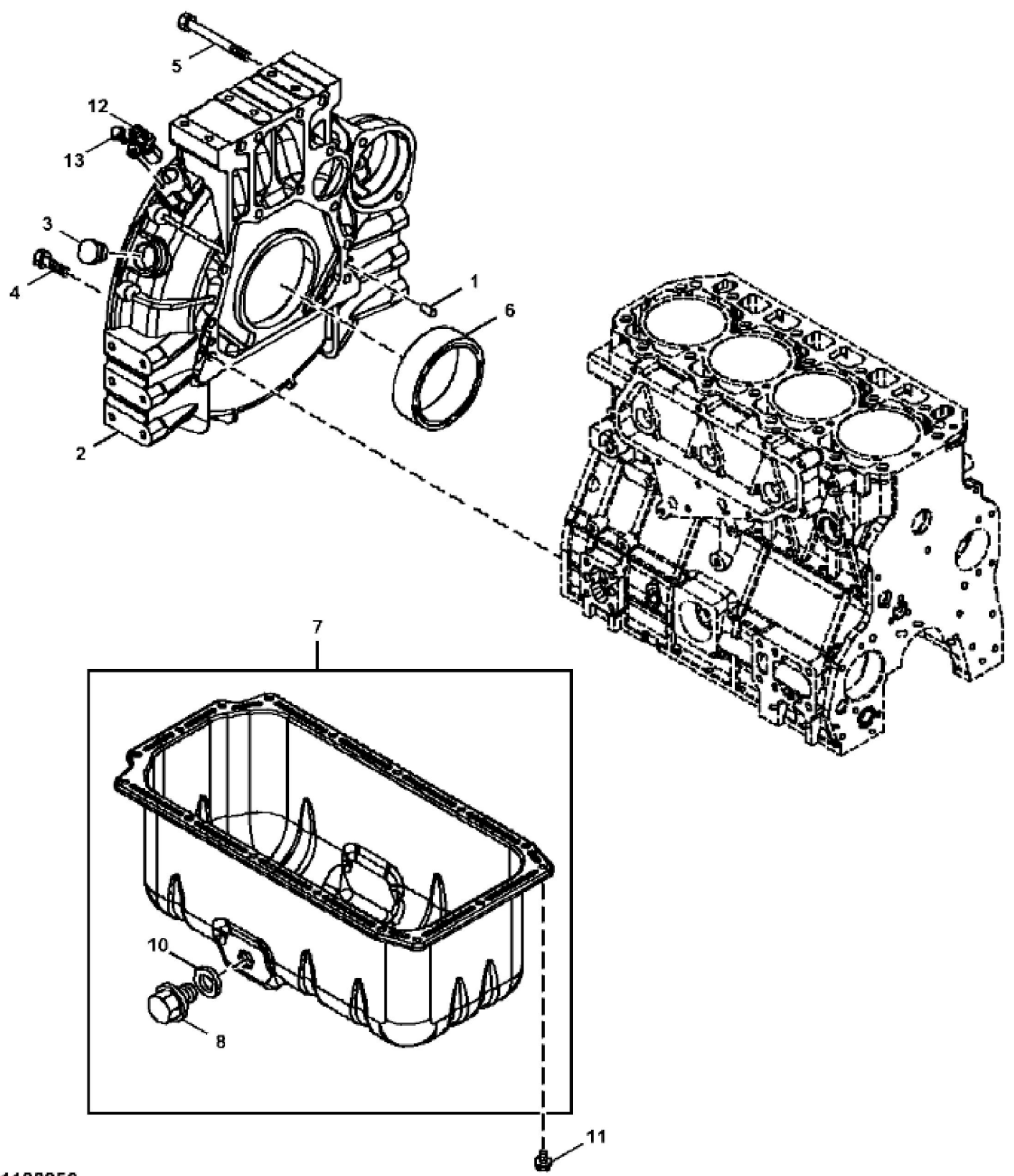
Hello dear friend!

Thank you very much for reading.

Enter the link into your browser.

The full manual is available for immediate download.

**<https://www.ebooklibonline.com>**



TX1122256

John Deere > Turf And Utility > LOADER, SKID-STEER > 4TNV94CHT - LOADER, SKID-STEER > 328E Skid Steer Loader (PIN: 1T0328E\_\_E236673- ) > 04 ENGINE AT374436 > 0404 CYLINDER BLOCK

> ST737512 - FLYWHEEL HOUSING AND OIL SUMP

KEY	PART NO.	PART NAME	QTY	REMARKS	
1	M802255	PIN	2		
2	MIU802276	HOUSING	1		
3	M88659	PLUG	1		
4	AT211675	CAP SCREW	9		
5	MIU802452	BOLT	4		
6	MIU801095	SEAL	1		
7	MIA882146	OIL PAN	1		
8	M806544	DRAIN PLUG	1		
10	M806545	WASHER	1		
11	19M7864	SCREW	16	M8 X 12	
12	MIU802254	SENSOR	1	Crank	
13	CH19140	BOLT	1		



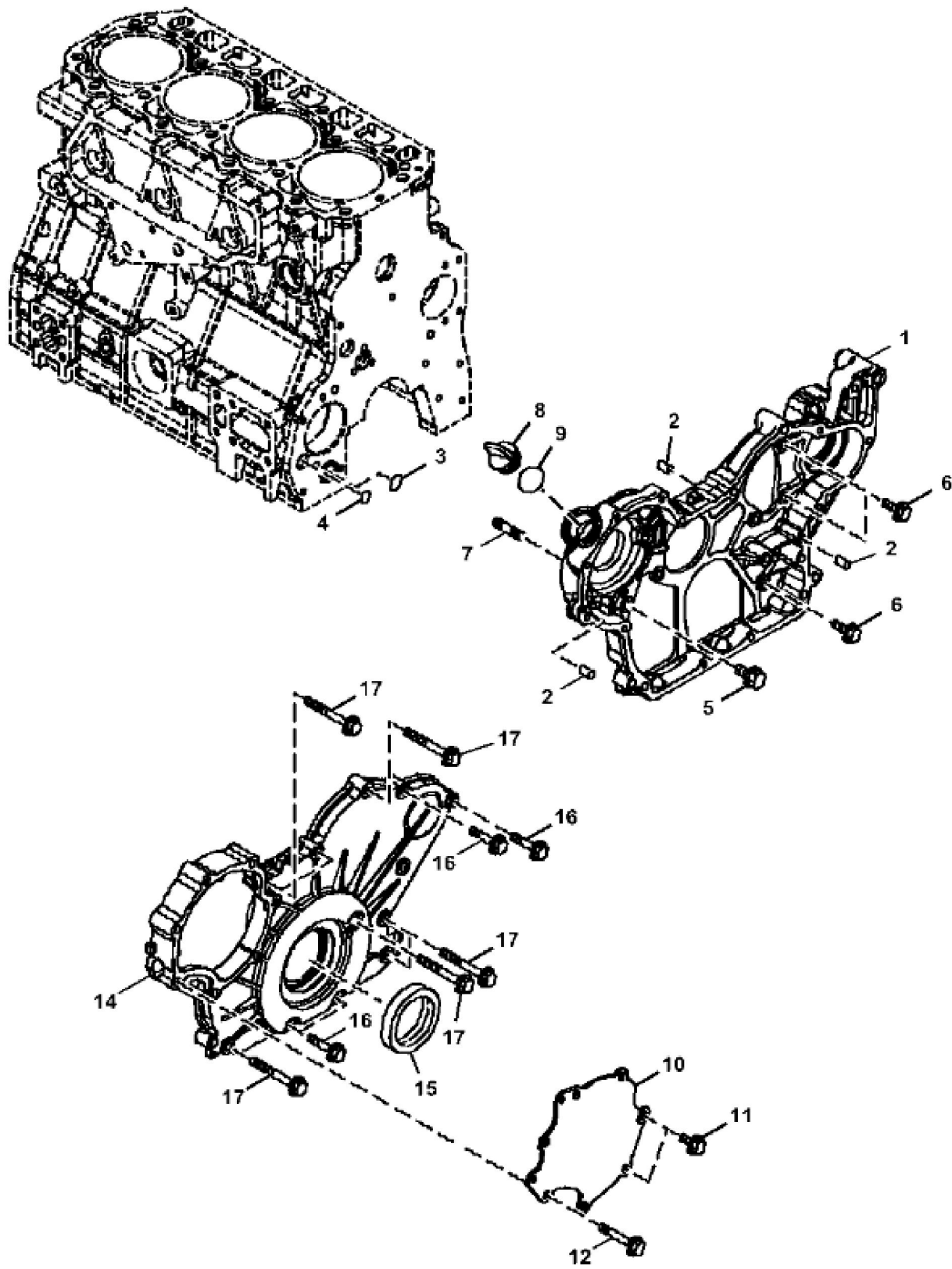
**Suggest:**

**For more complete manuals. Please go to the home page.**

**<https://www.ebooklibonline.com>**

**If the above button click is invalid. Please download this document first, and then click the above link to download the complete manual.**

**Thank you so much for reading**



TX1122255

## &gt; ST737217 - GEAR HOUSING

KEY	PART NO.	PART NAME	QTY	REMARKS	
1	MIU802273	HOUSING	1		
2	M802255	PIN	4		
3	AT211670	O-RING	1		
4	AT211671	O-RING	1		
5	CH18390	BOLT	1		
6	CH19139	BOLT	3		
7	LVU800577	STUD	2		
8	M805710	CAP	1		
9	M805711	PACKING	1		
10	MIU802278	COVER	1		
11	CH18390	BOLT	2		
12	CH19086	BOLT	1		
14	MIU802274	COVER	1		
15	MIU801096	SEAL	1		
16	M89128	BOLT	5		
17	CH19100	BOLT	7		

**<https://www.ebooklibonline.com>**

Hello dear friend!

Thank you very much for reading.

Enter the link into your browser.

The full manual is available for immediate download.

**<https://www.ebooklibonline.com>**