

TX1141936

CYLINDER BLOCK 4TNV98T 4TNV98T > ST763945 - EXHAUST MANIFOLD

KEY	PART NO.	PART NAME	QTY	REMARKS
1	MIA883181	EXHAUST MANIFOLD	1	
2	EXHAUST MANIFOLD	1	
3	M809203	STUD	1	
4	M809203	STUD	4	
5	AT211881	GASKET	1	
6	M811082	BOLT	8	
7	MIU803430	HEAT EXCHANGER	1	
8	MIU801817	GASKET	1	
9	MIU801817	GASKET	1	
10	M811448	BOLT	1	
11	MIU801775	BOLT	2	
12	PIPE ELBOW	1	
13	MIU801108	GASKET	1	
14	INTERCOOLER	1	
15	M806938	PLUG	1	
16	CH19088	BOLT	2	
17	CH19099	BOLT	2	
18	M810186	NUT	1	
19	MIU801108	GASKET	2	
20	MIU803435	PIPE	1	
21	MIA883173	PIPE	1	
22	CH18390	BOLT	2	
23	CH18390	BOLT	2	
24	CH19112	BOLT	2	
25	MIU801819	VALVE	1	EGR
26	MIU801113	GASKET	1	
27	MIU801114	GASKET	1	
28	M800124	BOLT	1	
29	M808080	BOLT	1	

<https://www.ebooklibonline.com>

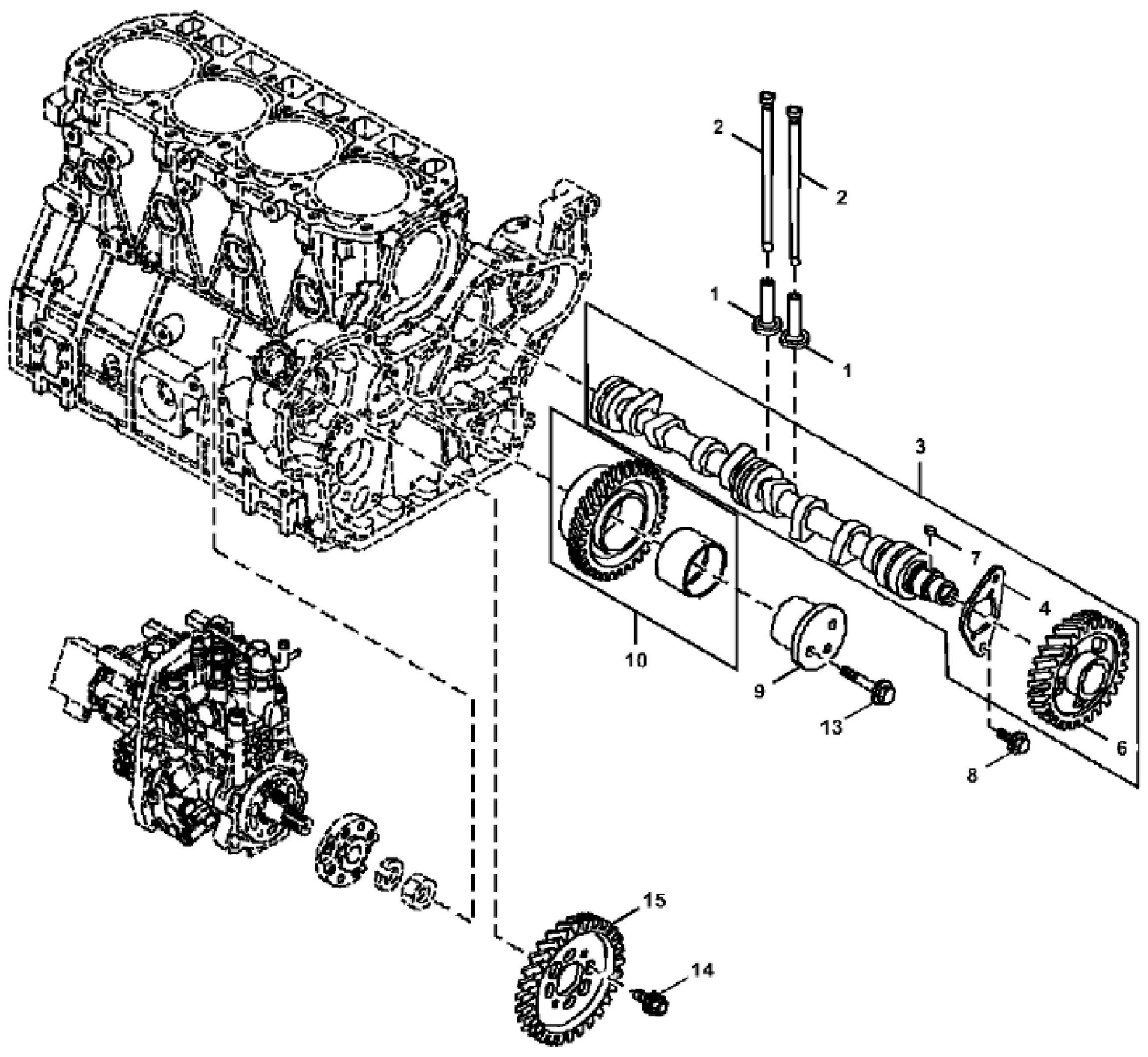
Hello dear friend!

Thank you very much for reading.

Enter the link into your browser.

The full manual is available for immediate download.

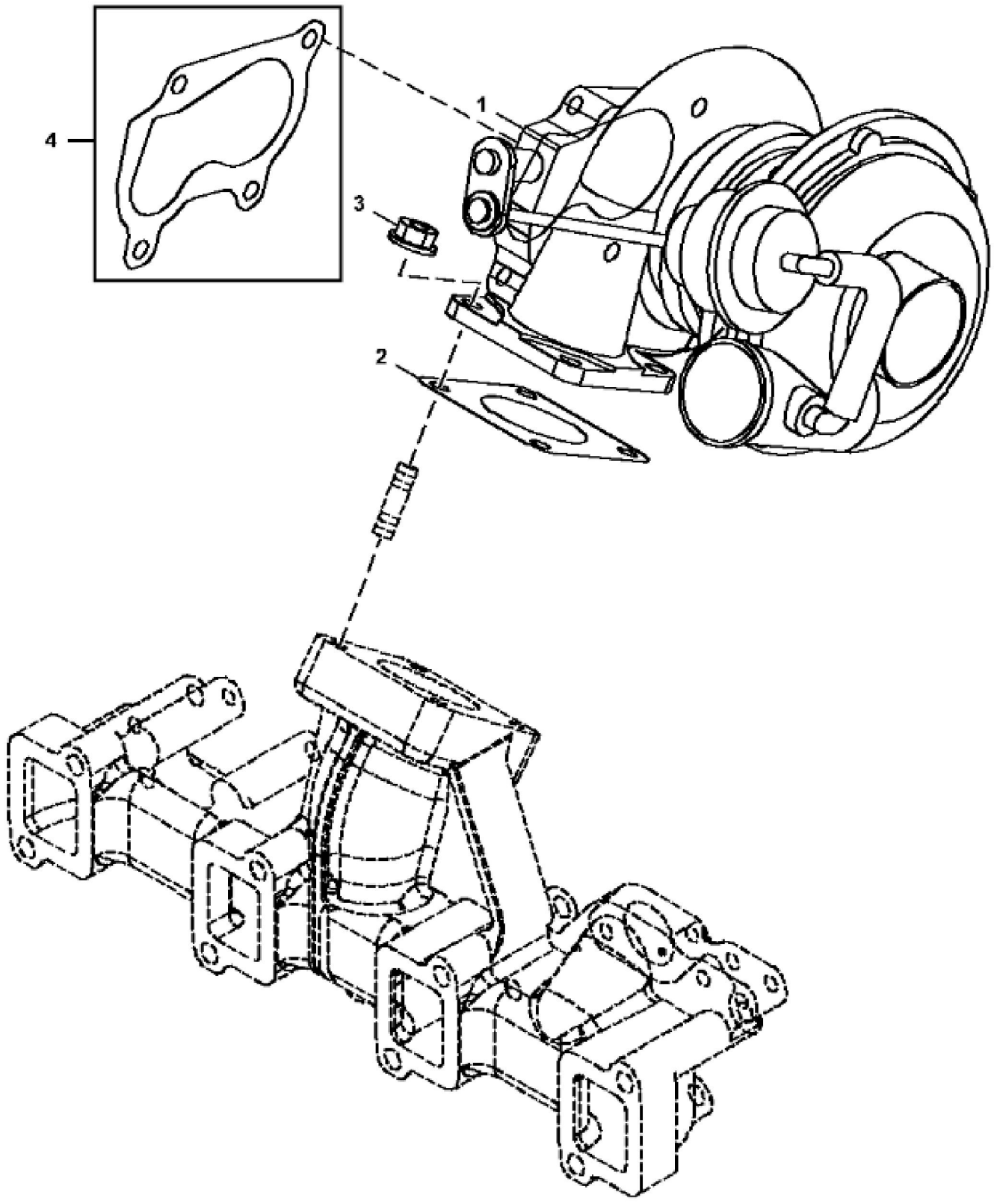
<https://www.ebooklibonline.com>



TX1141939

CYLINDER BLOCK 4TNV98T 4TNV98T > ST763943 - CAMSHAFT AND DRIVING GEAR

KEY	PART NO.	PART NAME	QTY	REMARKS	
1	M801046	CAM FOLLOWER	1		
2	MIU801081	PUSH ROD	8		
3	MIA881102	CAMSHAFT	1		
4	M801237	THRUST BEARING	1		
6	AT211730	GEAR	1	Camshaft	
7	M801045	SHAFT KEY	1		
8	CH18390	BOLT	2		
9	MIU801011	SHAFT	1		
10	AT211755	GEAR	1	Idle	
13	CH19090	BOLT	3		
14	MIU801177	BOLT	4		
15	MIU801082	GEAR	1	Fuel Pump	



TX1141940



Suggest:

For more complete manuals. Please go to the home page.

<https://www.ebooklibonline.com>

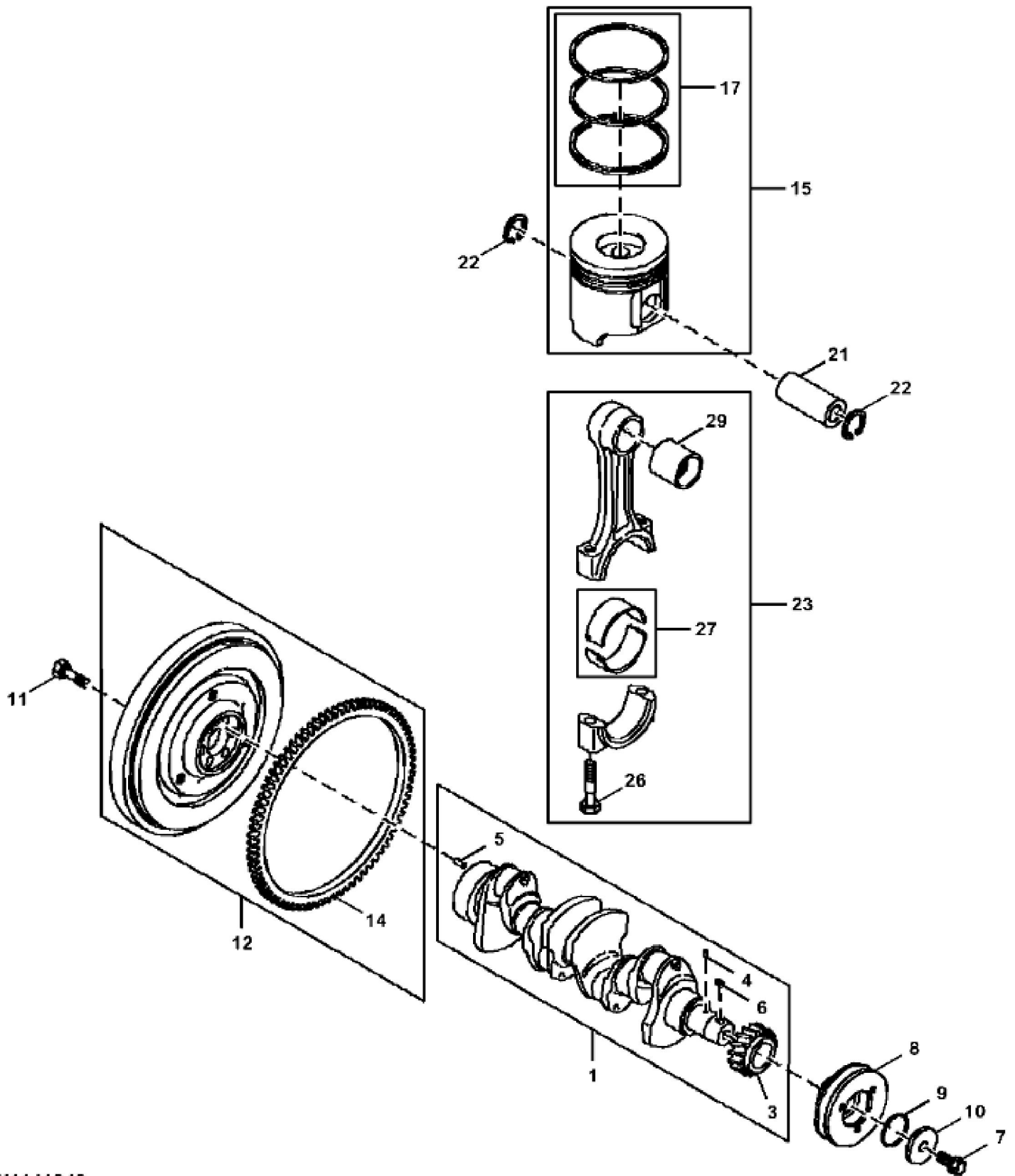
If the above button click is invalid. Please download this document first, and then click the above link to download the complete manual.

Thank you so much for reading

John Deere > Turf And Utility > LOADER, SKID-STEER > 4TNV98T - LOADER, SKID-STEER > 326E Skid Steer Loader (PIN: 1T0326E__G254998-) > 04 ENGINE, 4TNV98T 4TNV98T-AT408726 > 0404

CYLINDER BLOCK 4TNV98T 4TNV98T > ST763892 - TURBINE

KEY	PART NO.	PART NAME	QTY	REMARKS	
1	MIA883155	TURBOCHARGER	1		
2	T114284	GASKET	1		
3	M810186	NUT	4		
4	MIU802249	GASKET	1		



TX1141943

<https://www.ebooklibonline.com>

Hello dear friend!

Thank you very much for reading.

Enter the link into your browser.

The full manual is available for immediate download.

<https://www.ebooklibonline.com>