

KEY	PART NO.	PART NAME	QTY	REMARKS
1	CYLINDER BLOCK	1	(MARKED R522413)NSEP
2	34M7247	SPRING PIN	2	11 X 16 mm
3	RE71255	PIPE PLUG	27	1/8"-27NPT, (SUB FOR RE42713 OR R104592)
4	R48685	DOWEL PIN	2	
5	R504965	PLUG	1	
6	15H685	PIPE PLUG	1	1/4"
7	R116466	PLUG	7	
8	R502725	PLUG	1	(DIPSTICK TUBE)
9	R515003	SCREW	12	M10 X 100
10	R505135	ORIFICE	5	
11	T18891	PLUG	1	OD 16MM
12	RE518215	BALL BEARING	1	
13	R523409	SPUR GEAR	1	
14	R522976	WHEEL	1	
15	R515112	SHIM	1	
16	R516770	WASHER	1	
17	L157372	SCREW	2	M6 X 16
18	R517240	SCREW	1	
19	19M7923	CAP SCREW	4	M6 X 12
20	CAMSHAFT	1	(MARKED R528331)
21	R504808	BUSHING	5	

<https://www.ebooklibonline.com>

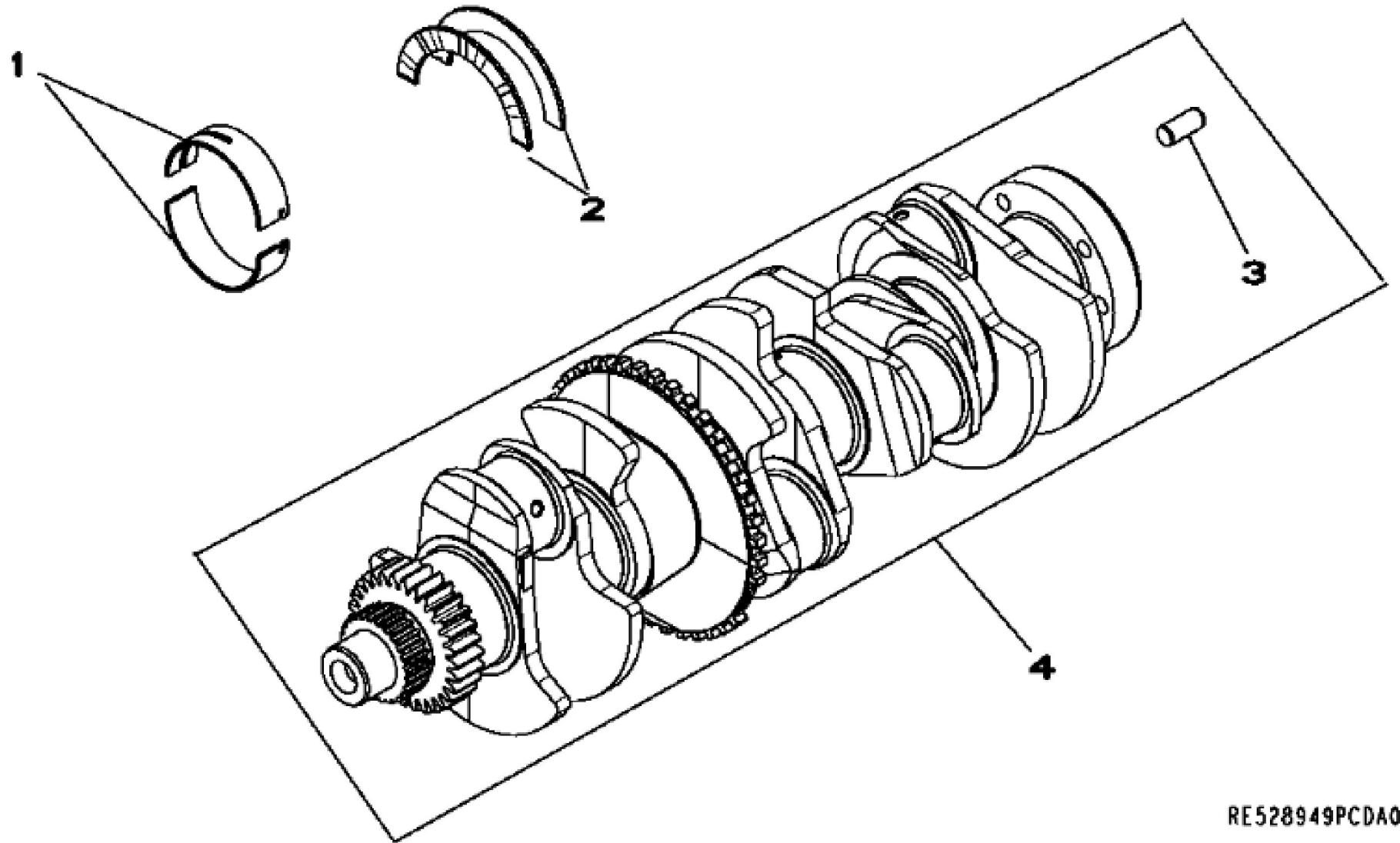
Hello dear friend!

Thank you very much for reading.

Enter the link into your browser.

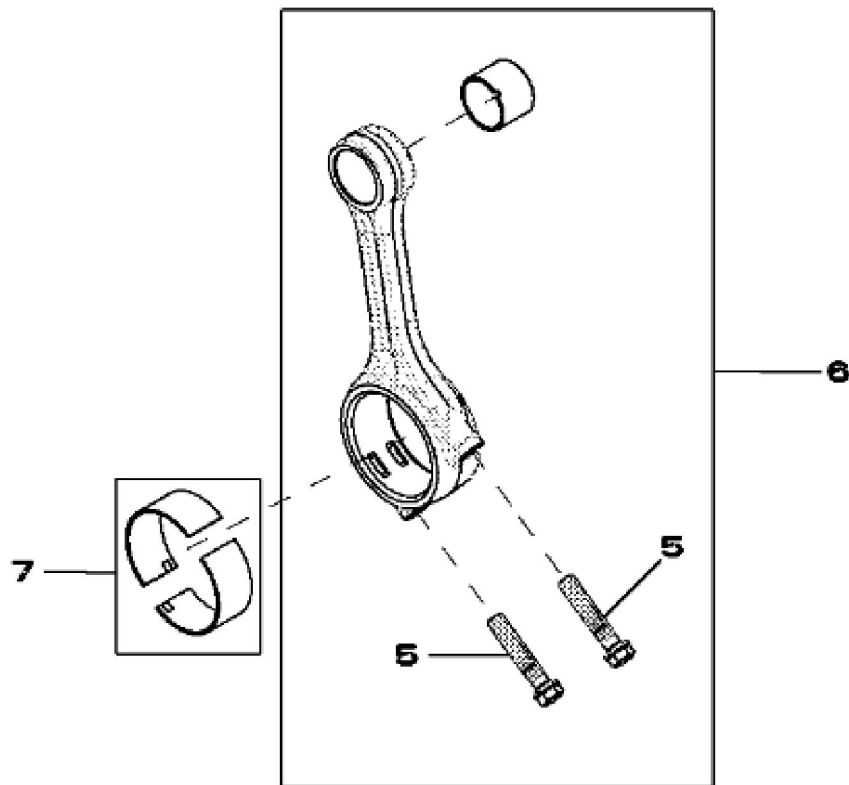
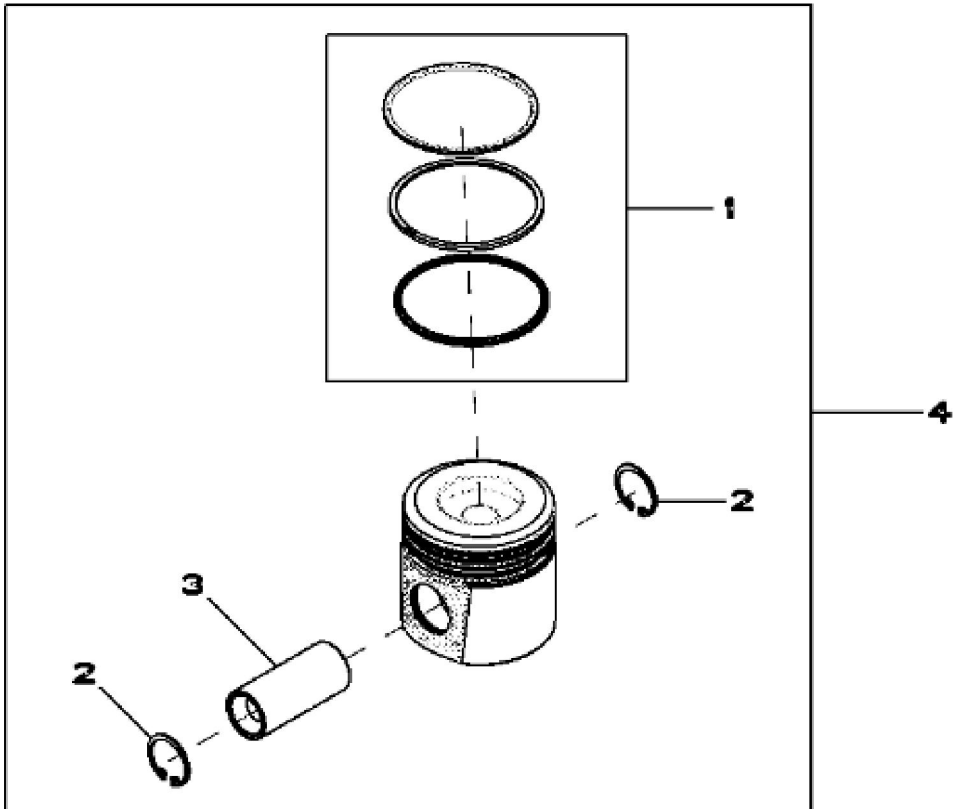
The full manual is available for immediate download.

<https://www.ebooklibonline.com>



RE528949PCDA01

KEY	PART NO.	PART NAME	QTY	REMARKS	
1	RE520626	BEARING KIT	5	STD	
2	RE520627	BEARING KIT	2		
3	R48685	DOWEL PIN	1		
4	RE527591	CRANKSHAFT	1		





Suggest:

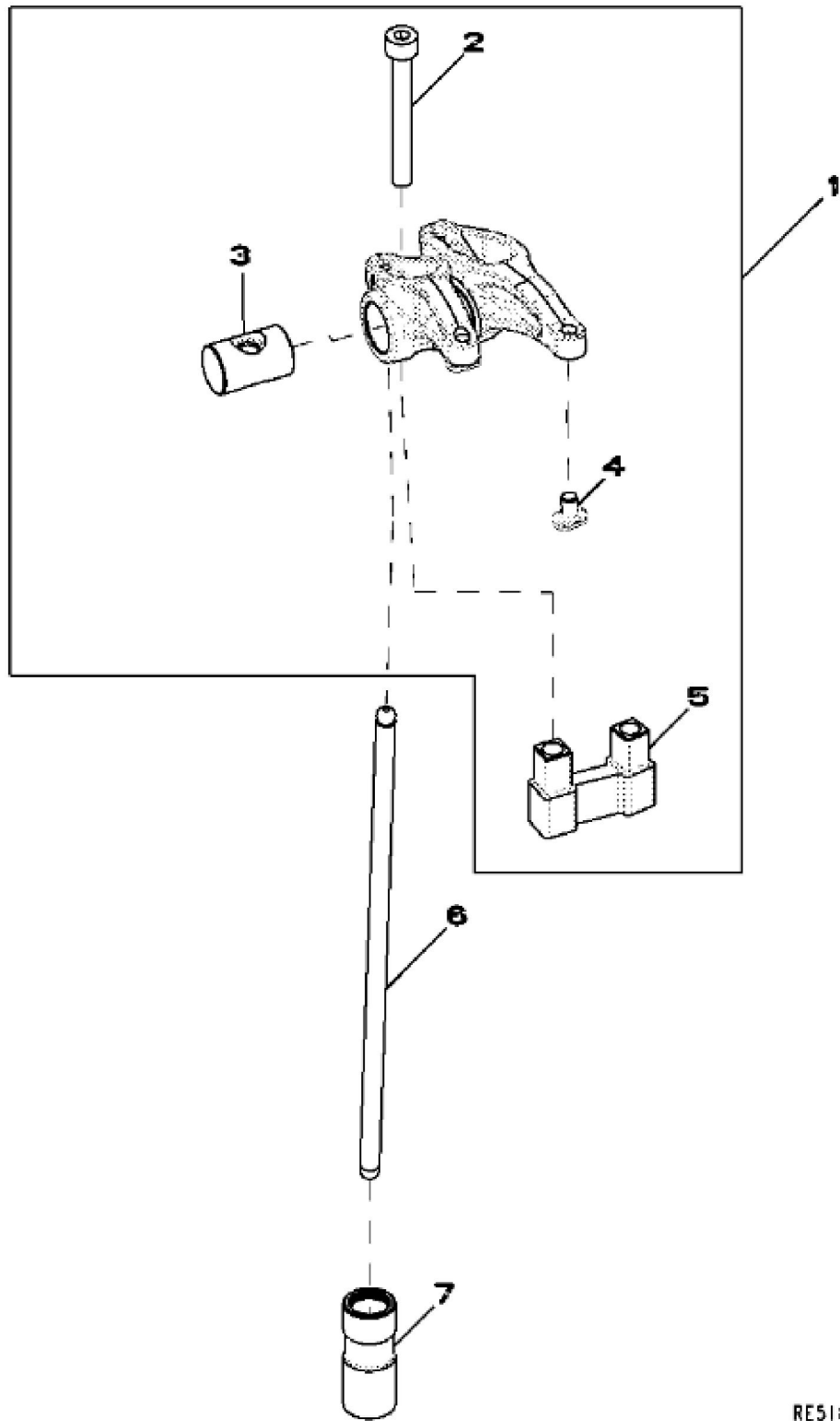
For more complete manuals. Please go to the home page.

<https://www.ebooklibonline.com>

If the above button click is invalid. Please download this document first, and then click the above link to download the complete manual.

Thank you so much for reading

KEY	PART NO.	PART NAME	QTY	REMARKS	
1	RE533955	PISTON RING KIT	5	STD	
2	40M1855	SNAP RING	10		
3	R503480	PISTON PIN	5	OD 30MM	
4	RE536353	PISTON REPLACEMENT KIT	5	(MARKED RE527622)STD	
5	R502503	SCREW	10		
6	RE504544	CONNECTING ROD	5		
6	SE501898	CONNECTING ROD REMAN	1	(REMAN FOR RE504544)	
7	RE520937	BEARING KIT	5	STD	



RE518812PCDH02

<https://www.ebooklibonline.com>

Hello dear friend!

Thank you very much for reading.

Enter the link into your browser.

The full manual is available for immediate download.

<https://www.ebooklibonline.com>