

1118_RE506218_PCD

John Deere > Construction And Forestry >BACKHOE, LOADER >325SK - BACKHOE, LOADER >325SK Backhoe Loader (PIN: 1T0325SK__C235589 - C256253)(Engine 4045TT096) >04 ENGINE 4045TT096-RE545793 >0400 ENGINE 4045TT096-RE545793 4045TT096 >ST136719 - 1118 ROCKER ARM COVER

KEY	PART NO.	PART NAME	QTY	REMARKS	
1	H23125	PLUG	4		
2	R123574	NUT	4		
3	R123575	O-RING	4		
4	RE502969	VALVE COVER	1	MARKED R519779	
5	R524480	GASKET	1		

<https://www.ebooklibonline.com>

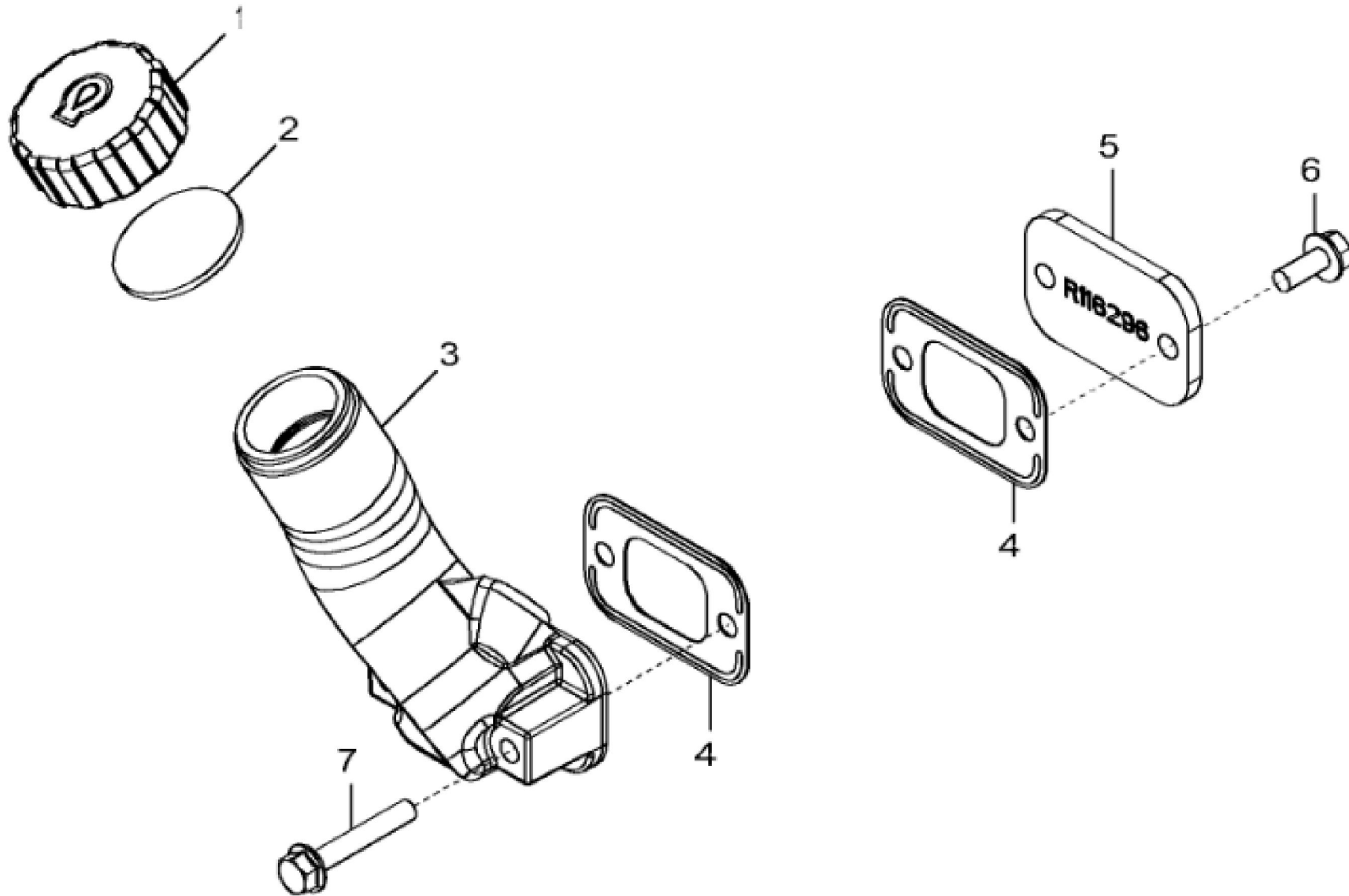
Hello dear friend!

Thank you very much for reading.

Enter the link into your browser.

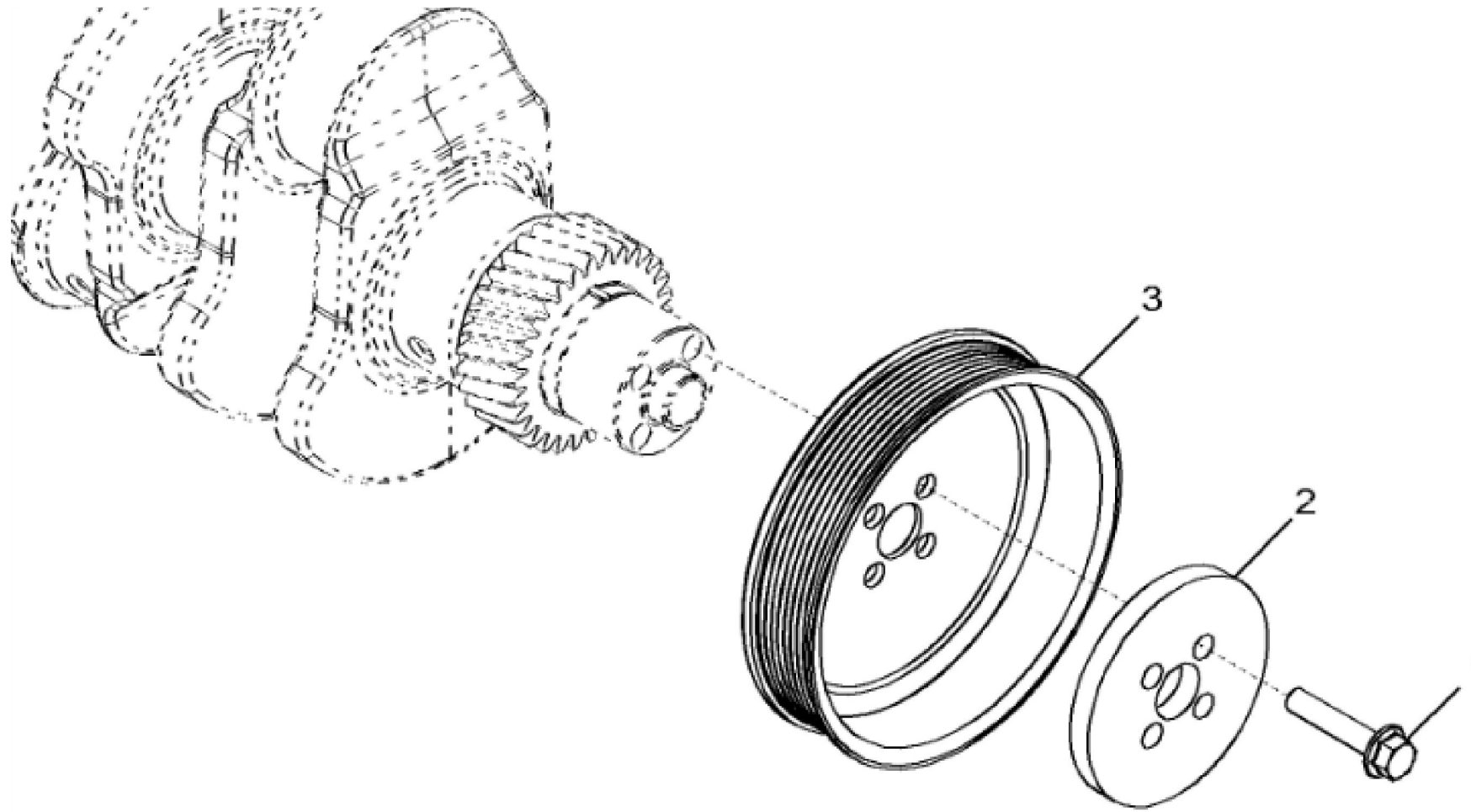
The full manual is available for immediate download.

<https://www.ebooklibonline.com>



John Deere > Construction And Forestry >BACKHOE, LOADER >325SK - BACKHOE, LOADER >325SK Backhoe Loader (PIN: 1T0325SK__C235589 - C256253)(Engine 4045TT096) >04 ENGINE 4045TT096-RE545793 >0400 ENGINE 4045TT096-RE545793 4045TT096 >ST37695 - 1229 OIL FILLER NECK

KEY	PART NO.	PART NAME	QTY	REMARKS	
1	R80136	FILLER CAP	1		
2	R80135	GASKET	1		
3	R123558	FILLER NECK	1		
4	R136495	GASKET	2		
5	R116296	COVER	1	MARKED R116296	
6	RE67238	SCREW	2		
7	RE67240	SCREW	2		





Suggest:

For more complete manuals. Please go to the home page.

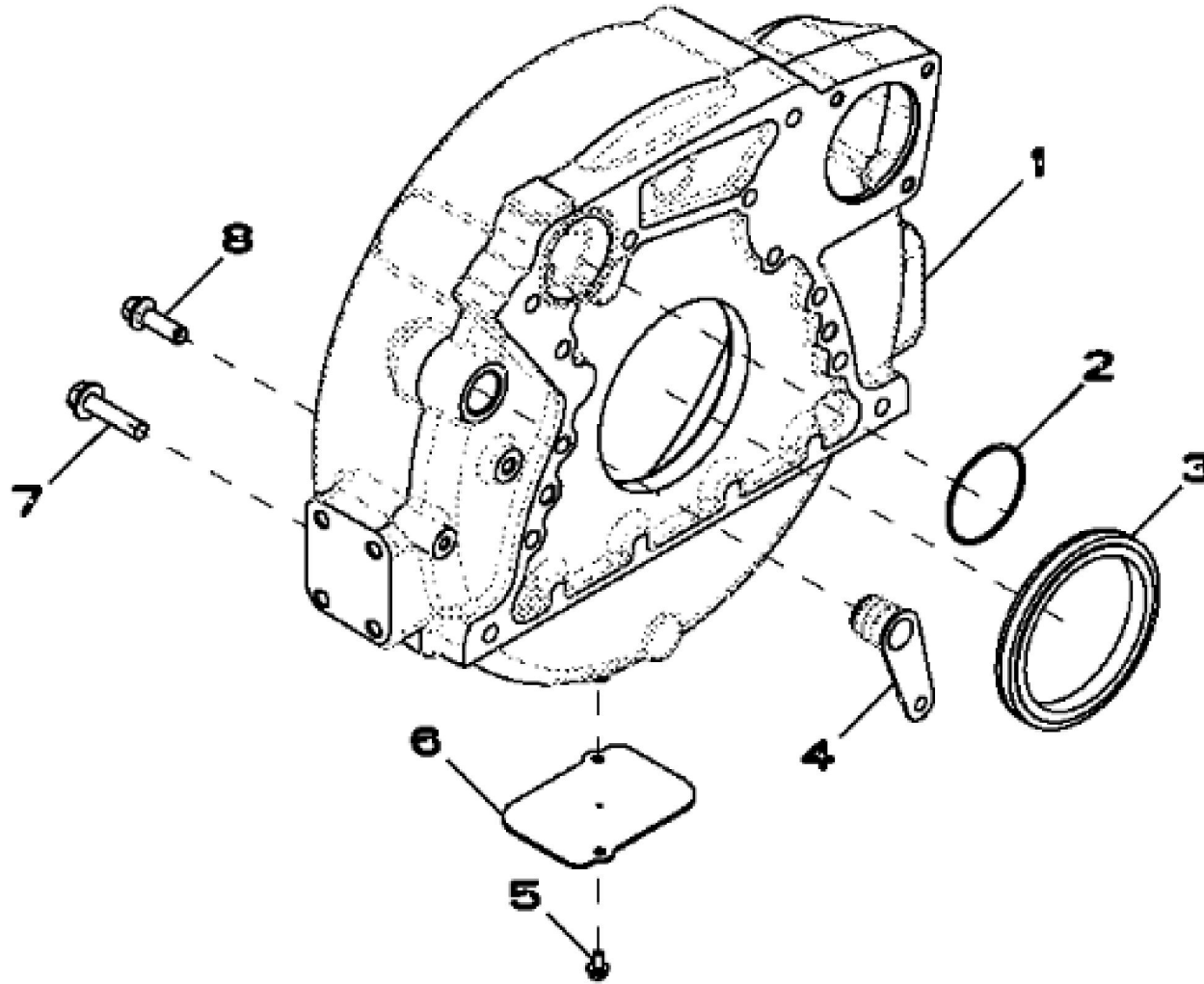
<https://www.ebooklibonline.com>

If the above button click is invalid. Please download this document first, and then click the above link to download the complete manual.

Thank you so much for reading

John Deere > Construction And Forestry >BACKHOE, LOADER >325SK - BACKHOE, LOADER >325SK Backhoe Loader (PIN: 1T0325SK__C235589 - C256253)(Engine 4045TT096) >04 ENGINE 4045TT096-RE545793 >0400 ENGINE 4045TT096-RE545793 4045TT096 >ST351152 - 1302 CRANKSHAFT PULLEY

KEY	PART NO.	PART NAME	QTY	REMARKS	
1	R121897	BOLT	4		
2	R500649	WASHER	1		
3	R133295	PULLEY	1		



RE502001PCDE02

<https://www.ebooklibonline.com>

Hello dear friend!

Thank you very much for reading.

Enter the link into your browser.

The full manual is available for immediate download.

<https://www.ebooklibonline.com>