

KEY	PART NO.	PART NAME	QTY	Engine Serial No.	REMARKS
1	CYLINDER BLOCK	NA	____-113663	(MARKED R504114) (USE WITH RE515351)
1	CYLINDER BLOCK	NA	113664-____	(MARKED R522413) (USE WITH RE529913)
2	34M7094	SPRING PIN	1		4 X 16 mm
3	R528188	PIN	5		
4	R502725	PLUG	1		
5	RE71255	PIPE PLUG	28		1/8"-27NPT
6	34M7247	SPRING PIN	2		11 X 16 mm
7	R504965	PLUG	1		
8	15H685	PIPE PLUG	1		1/4"
9	R48685	DOWEL PIN	2		(SUB FOR A120R)
10	R116466	PLUG	7		
11	R515003	SCREW	12		
12	R505135	ORIFICE	5		
13	T18891	PLUG	1		OD 16 MM
14	R504808	BUSHING	5		
15	L157372	SCREW	2		
16	CAMSHAFT	1		(MARKED R528141) (ORDER RE524772)(9901)
16	RE524772	CAM KIT	1		
16	SE501619	CAMSHAFT REMAN	1		(REMAN FOR RE524772)
17	RE518215	BALL BEARING	1		
..	COMPLETE BLOCK ASSEMBLY	1		(9901)
..	OIL PUMP INTAKE	1	____-113663	(1900)
..	OIL PUMP INTAKE	1	113664-____	(1900)

<https://www.ebooklibonline.com>

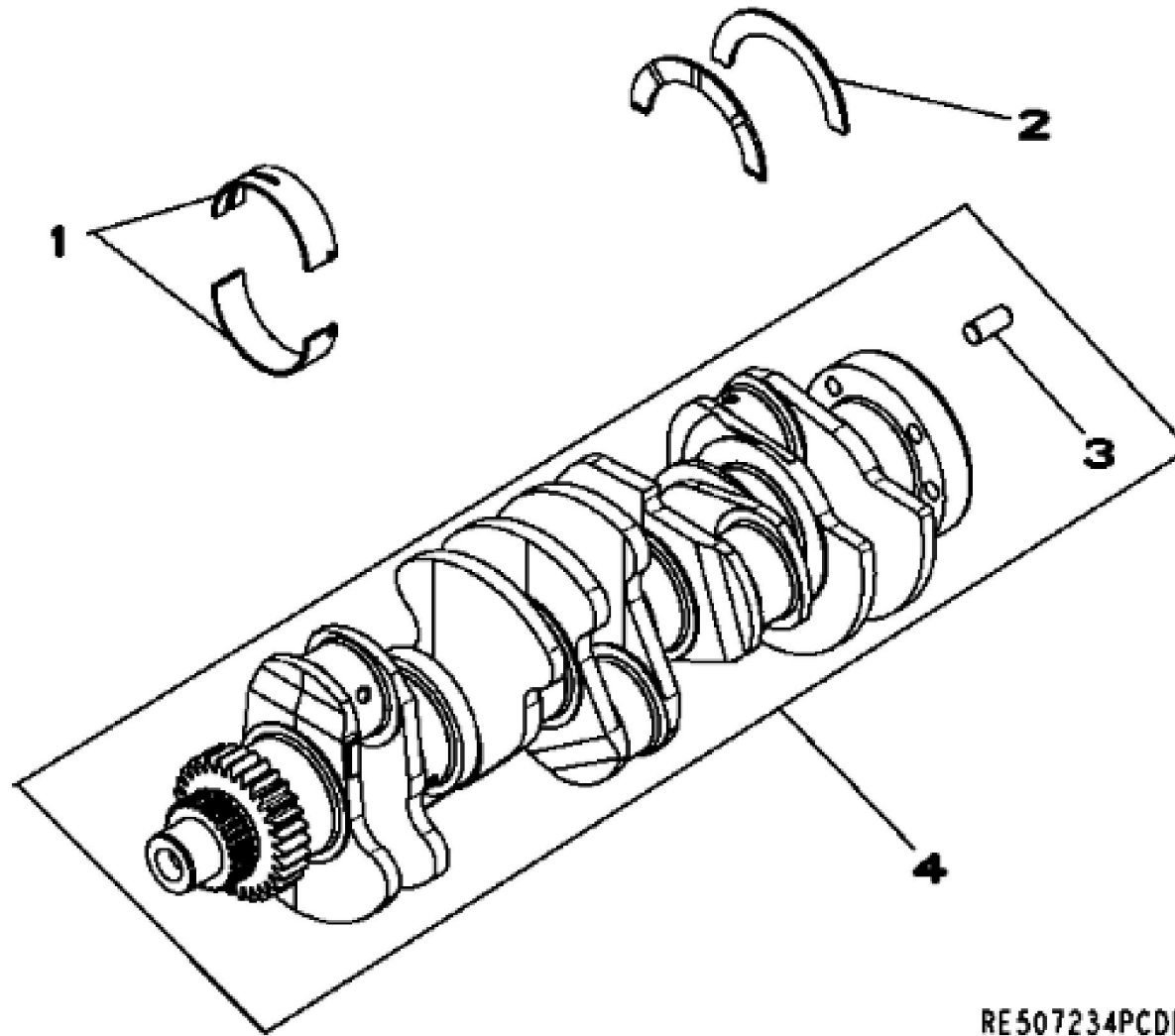
Hello dear friend!

Thank you very much for reading.

Enter the link into your browser.

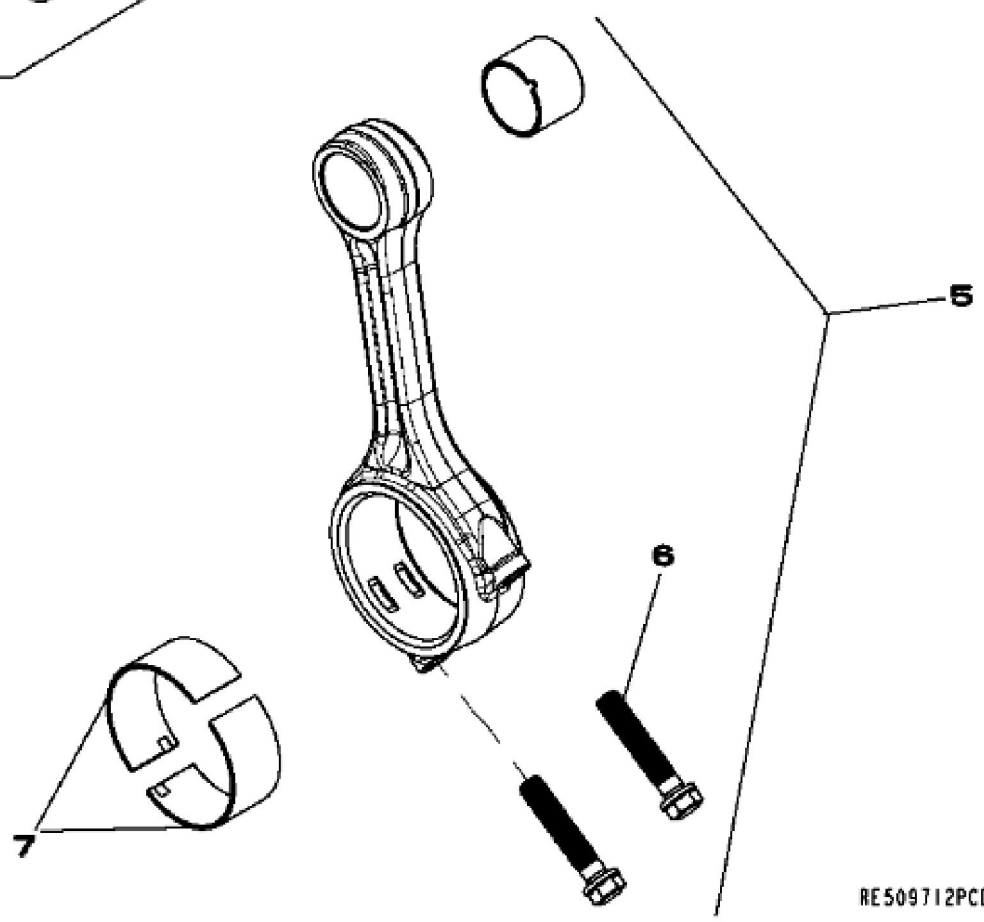
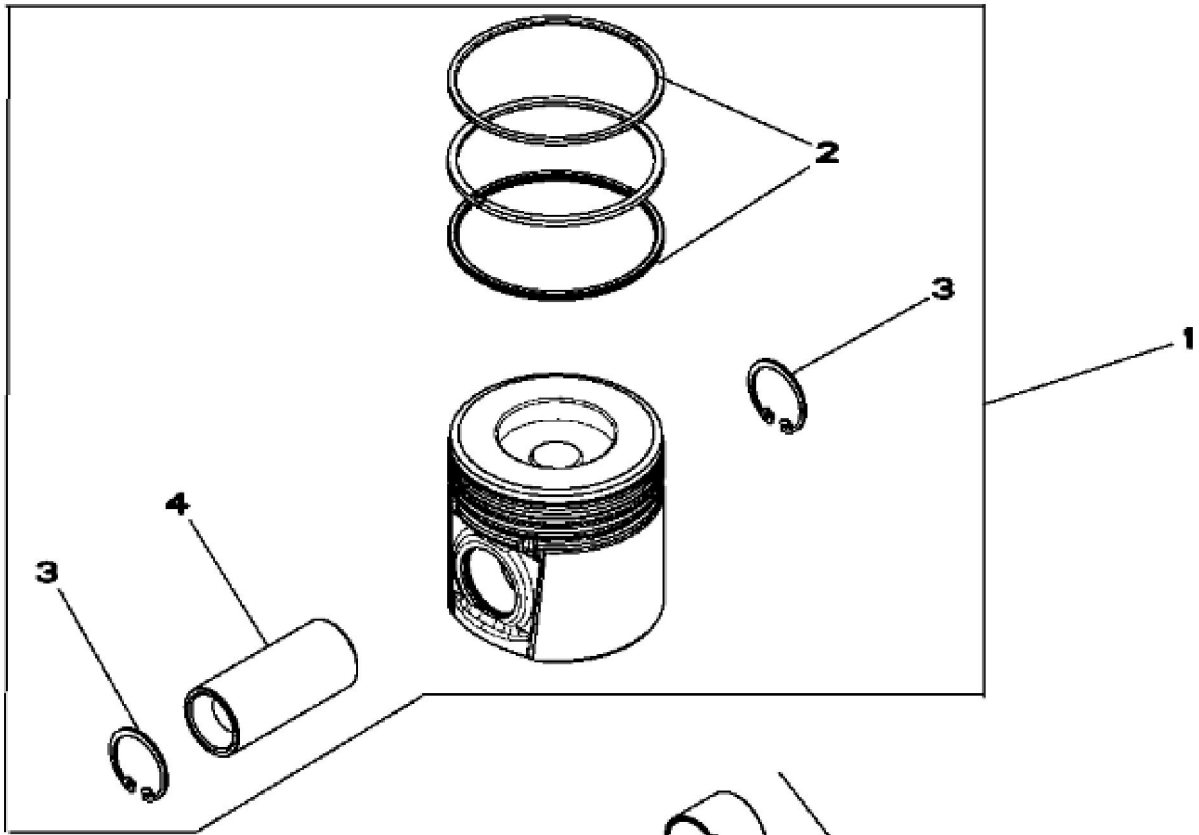
The full manual is available for immediate download.

<https://www.ebooklibonline.com>



RE507234PCDD02

KEY	PART NO.	PART NAME	QTY	REMARKS	
1	RE520626	BEARING KIT	6	STD (9901)	
2	R502796	THRUST WASHER	2	(1 PC)	
2	RE520627	BEARING KIT	1	(2 PC), (9901)	
3	R48685	DOWEL PIN	1		
4	RE505340	CRANKSHAFT	1		
4	SE501643	CRANKSHAFT REMAN	1	(WITH BEARINGS) (REMAN FOR RE505340)	



RE509712PCDD01



Suggest:

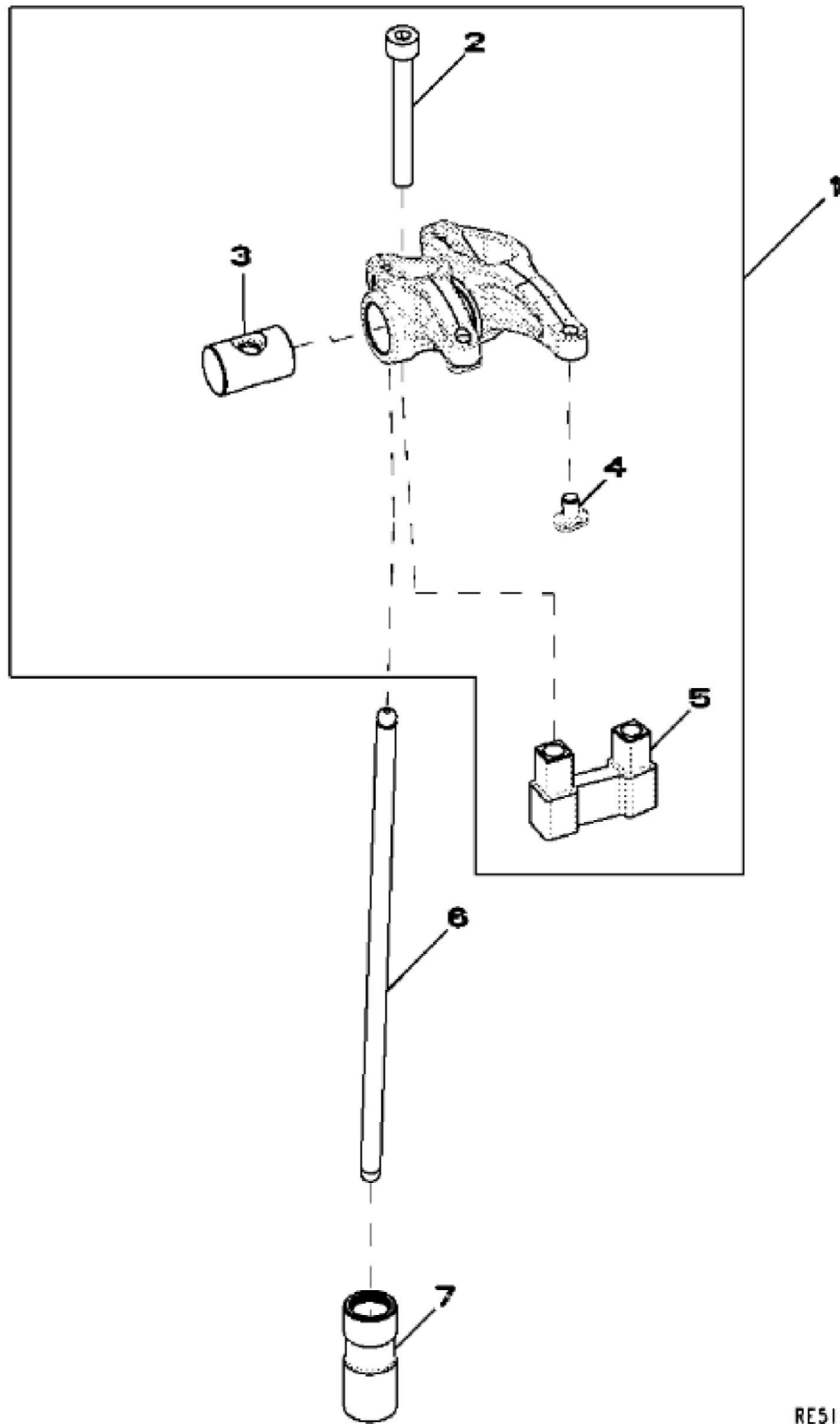
For more complete manuals. Please go to the home page.

<https://www.ebooklibonline.com>

If the above button click is invalid. Please download this document first, and then click the above link to download the complete manual.

Thank you so much for reading

KEY	PART NO.	PART NAME	QTY	REMARKS	
1	RE520936	PISTON REPLACEMENT KIT	5	STD (MARKED RE516347)	
2	RE520935	PISTON RING KIT	5	STD	
3	40M1855	SNAP RING	10		
4	R503480	PISTON PIN	5	OD 30 MM	
5	RE504544	CONNECTING ROD	5		
5	SE501898	CONNECTING ROD REMAN	1	(REMAN FOR RE504544)	
6	R502503	SCREW	10	M10 X 49	
7	RE520937	BEARING KIT	5	STD	



RE518812PCDH02

<https://www.ebooklibonline.com>

Hello dear friend!

Thank you very much for reading.

Enter the link into your browser.

The full manual is available for immediate download.

<https://www.ebooklibonline.com>