

## CYLINDER BLOCK 4TNV98T 4TNV98T &gt; ST763941 - CYLINDER BLOCK

KEY	PART NO.	PART NAME	QTY	REMARKS	
1	MIA883255	CYLINDER BLOCK	1		
4	M809594	PLUG	1		
5	CH18379	PLUG	2		
6	AT211653	BOLT	10		
9	AT211656	BUSHING	1		
10	.....	PLUG	7		
14	MIA880556	BEARING	2		
14	MIA880558	BEARING	2	Oversized; 0.25	
17	MIA882628	CHECK VALVE	4		
23	T113854	NOZZLE	4		
24	CH15575	PIN	4		
25	CH18079	SPRING PIN	2		
26	M806938	PLUG	1		
27	M806938	PLUG	1		
28	M806938	PLUG	1		
29	AT211658	BOLT	18		
30	MIU801057	GASKET	1		
31	M806938	PLUG	1		
32	MIA880548	BEARING	5		
32	MIA880547	BEARING	5	Undersized; 0.25	

**<https://www.ebooklibonline.com>**

Hello dear friend!

Thank you very much for reading.

Enter the link into your browser.

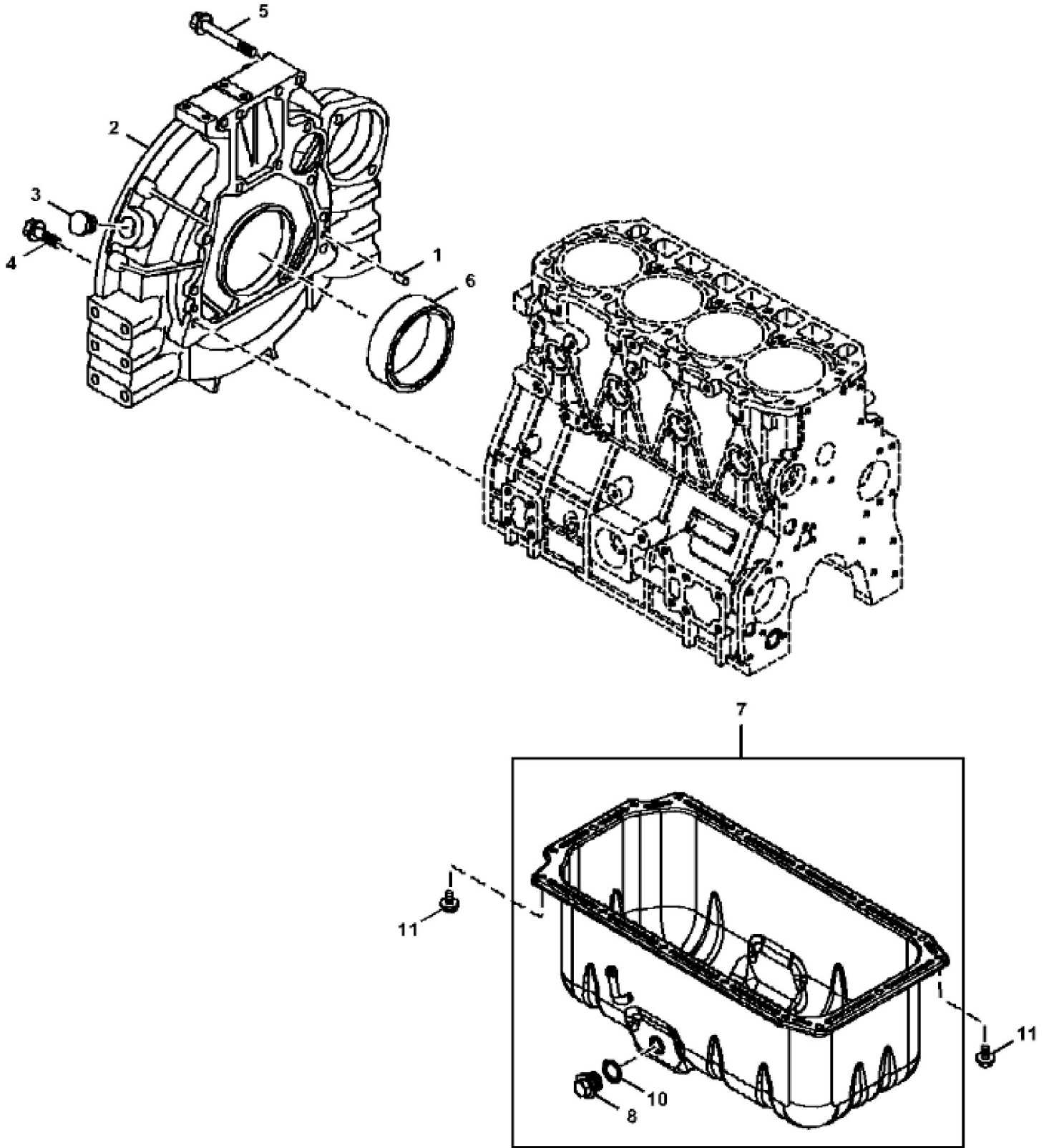
The full manual is available for immediate download.

**<https://www.ebooklibonline.com>**



## CYLINDER BLOCK 4TNV98T 4TNV98T &gt; ST763939 - GEAR HOUSING

KEY	PART NO.	PART NAME	QTY	REMARKS	
1	M802255	PIN	4		
3	.....	HOUSING	1		
4	MIA882626	OIL PUMP	1		
5	M800056	STUD	4		
6	AT211670	O-RING	1		
7	AT211671	O-RING	1		
8	CH10567	PACKING	1		
9	MIU801224	PACKING	1		
10	CH18390	BOLT	1		
11	CH19139	BOLT	3		
12	CH19101	BOLT	3		
13	M810187	NUT	4		
14	M805710	CAP	1		
15	M805711	PACKING	1		
16	AT211662	COVER	1		
17	CH19139	BOLT	1		
18	CH19101	BOLT	5		
19	CH19091	BOLT	1		
22	MIU801096	SEAL	1		
23	AT211680	COVER	1		
24	AT211681	GASKET	1		
25	CH18390	BOLT	3		
26	M89128	BOLT	5		
27	CH19100	BOLT	6		



TX1141928



**Suggest:**

**For more complete manuals. Please go to the home page.**

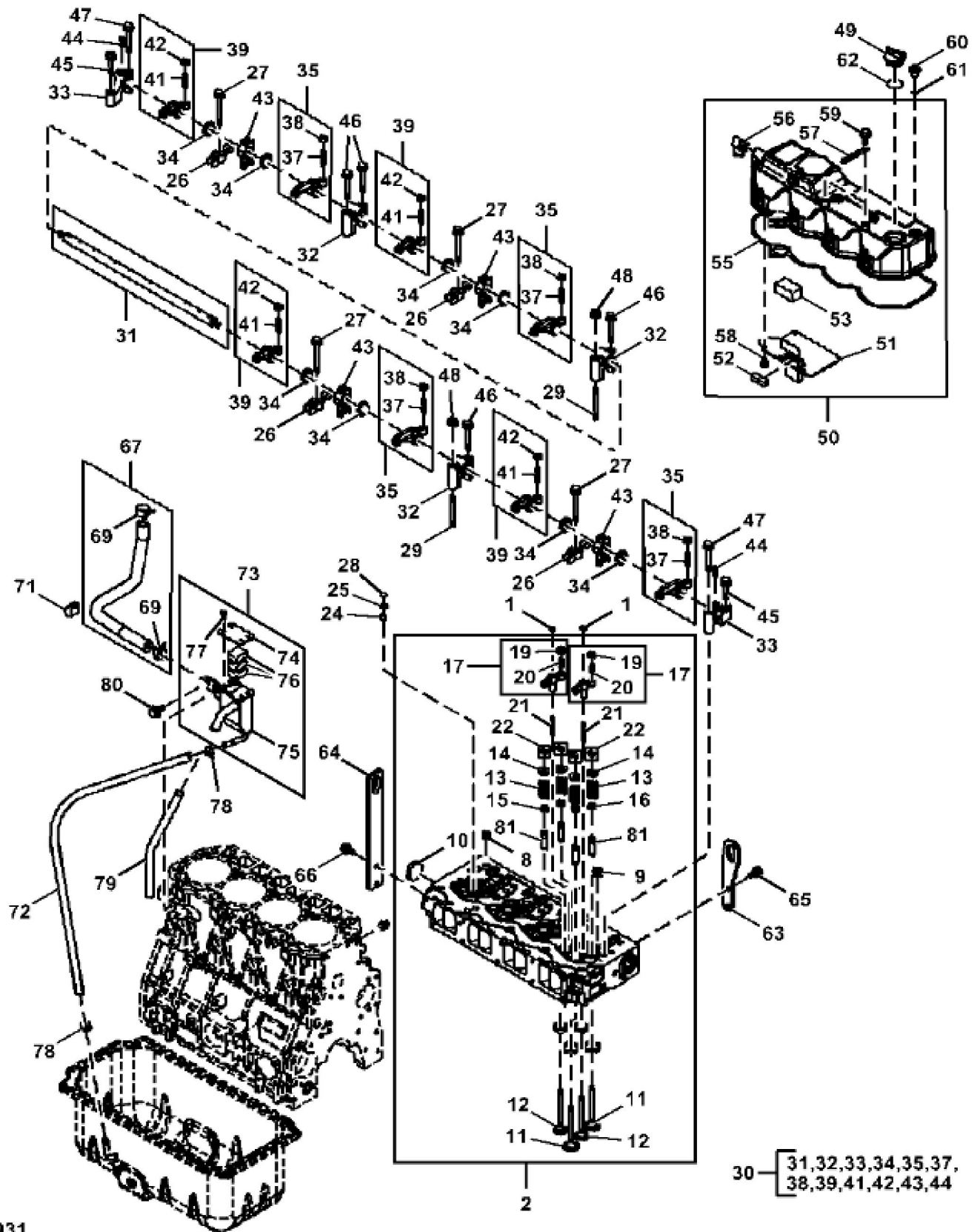
**<https://www.ebooklibonline.com>**

**If the above button click is invalid. Please download this document first, and then click the above link to download the complete manual.**

**Thank you so much for reading**

CYLINDER BLOCK 4TNV98T 4TNV98T > ST763899 - FLYWHEEL HOUSING AND OIL SUMP

KEY	PART NO.	PART NAME	QTY	REMARKS	
1	M802255	PIN	2		
2	MIA881092	HOUSING	1		
3	M88659	PLUG	1		
4	AT211675	CAP SCREW	9		
5	AT211950	BOLT	4		
6	MIU801095	SEAL	1		
7	MIA883172	OIL PAN	1		
8	M806544	DRAIN PLUG	1		
10	M806545	WASHER	1		
11	CH19137	BOLT	16		



TX1141931

**<https://www.ebooklibonline.com>**

Hello dear friend!

Thank you very much for reading.

Enter the link into your browser.

The full manual is available for immediate download.

**<https://www.ebooklibonline.com>**