

TX1132196

John Deere > Turf And Utility > LOADER, SKID-STEER > 320E - LOADER, SKID-STEER > 320E Skid Steer Loader (PIN: 1T0320E\_\_J249291- ) > 04A ENGINE, 4TNV98CT 4TNV98CT-AT442273 - AT393506 > 0404  
 CYLINDER BLOCK 4TNV98CT 4TNV98CT > ST750459 - CYLINDER BLOCK (ENGINE 4TNV98CT-ETN123875)

KEY	PART NO.	PART NAME	QTY	REMARKS
4	M809594	PLUG	1	
5	15H562	PIPE PLUG	1	1", SUB FOR CH18379
6	AT211653	BOLT	10	
9	AT211656	BUSHING	1	
10	30M7023	PLUG	8	
11	CH18079	SPRING PIN	2	
12	M806938	PLUG	1	
13	M806938	PLUG	1	
14	M806938	PLUG	1	
15	M806938	PLUG	1	
19	MIA880556	BEARING	2	
19	MIA880558	BEARING	2	Undersized; 0.25
22	AT211658	BOLT	18	
23	MIU802832	GASKET	1	
24	MIA880548	BEARING	5	
24	MIA880547	BEARING	5	Undersized; 0.25

**<https://www.ebooklibonline.com>**

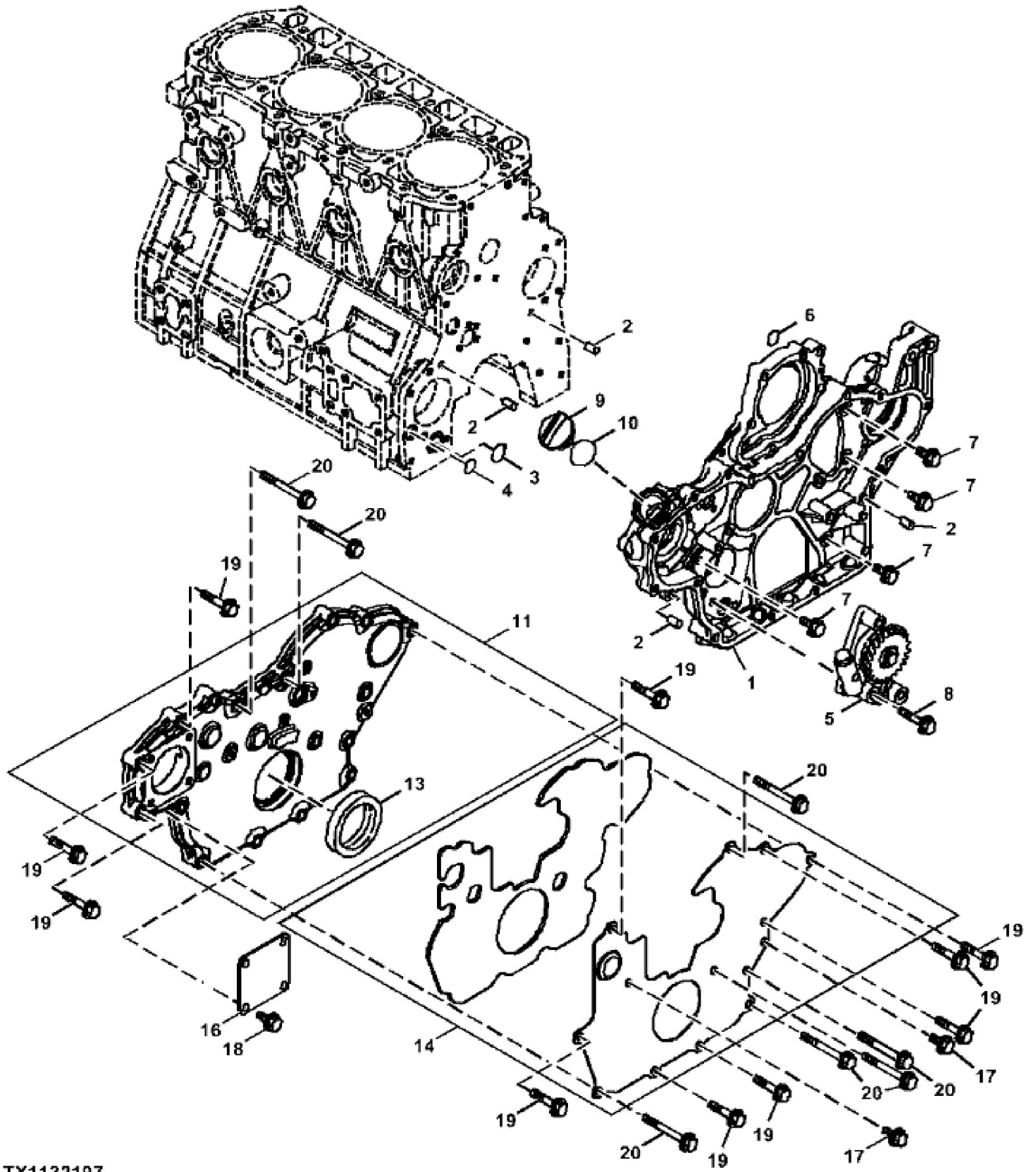
Hello dear friend!

Thank you very much for reading.

Enter the link into your browser.

The full manual is available for immediate download.

**<https://www.ebooklibonline.com>**



TX1132197

John Deere > Turf And Utility > LOADER, SKID-STEER > 320E - LOADER, SKID-STEER > 320E Skid Steer Loader (PIN: 1T0320E\_\_J249291- ) > 04A ENGINE, 4TNV98CT 4TNV98CT-AT442273 - AT393506 > 0404  
 CYLINDER BLOCK 4TNV98CT 4TNV98CT > ST750169 - GEAR HOUSING (ENGINE 4TNV98CT-ETN123875)

KEY	PART NO.	PART NAME	QTY	REMARKS
1	MIU802921	GEAR CASE	1	
2	M802255	PIN	4	
3	AT211670	O-RING	1	
4	AT211671	O-RING	1	
5	MIA882626	OIL PUMP	1	
6	CH10567	PACKING	1	
7	CH18390	BOLT	4	
8	CH19101	BOLT	3	
9	M805710	CAP	1	
10	M805711	PACKING	1	
11	MIU802835	COVER	1	
13	MIU801096	SEAL	1	
14	MIA882548	COVER	1	
16	CH18096	COVER	1	
17	CH18390	BOLT	2	
18	CH18390	BOLT	4	
19	M89128	BOLT	10	
20	CH19100	BOLT	7	



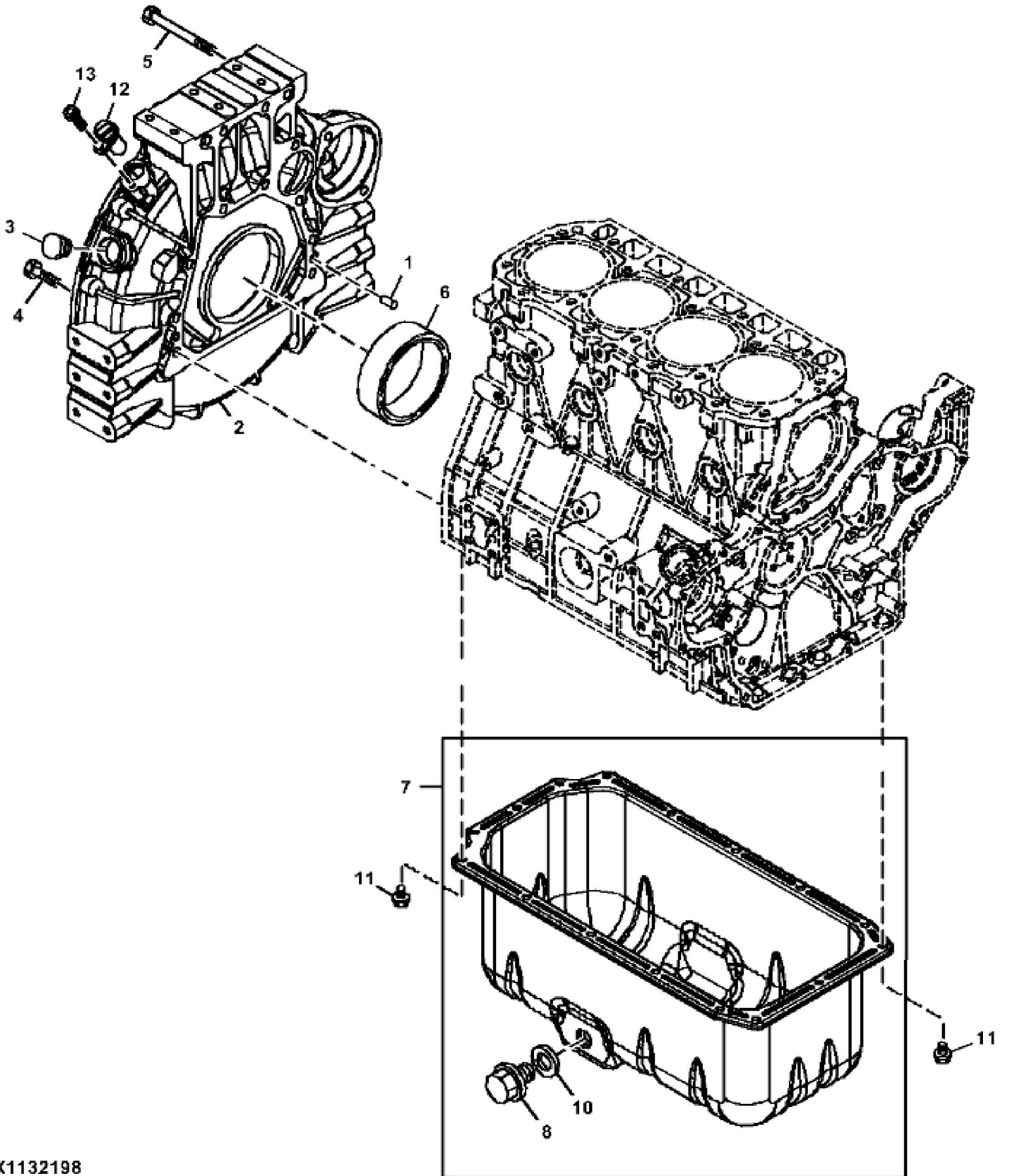
**Suggest:**

**For more complete manuals. Please go to the home page.**

**<https://www.ebooklibonline.com>**

**If the above button click is invalid. Please download this document first, and then click the above link to download the complete manual.**

**Thank you so much for reading**



TX1132198

John Deere > Turf And Utility > LOADER, SKID-STEER > 320E - LOADER, SKID-STEER > 320E Skid Steer Loader (PIN: 1T0320E\_\_J249291- ) > 04A ENGINE, 4TNV98CT 4TNV98CT-AT442273 - AT393506 > 0404 CYLINDER BLOCK 4TNV98CT 4TNV98CT > ST750170 - FLYWHEEL HOUSING AND OIL SUMP (ENGINE 4TNV98CT-ETN123875)

KEY	PART NO.	PART NAME	QTY	REMARKS
1	M802255	PIN	2	
2	MIU802837	HOUSING	1	
3	M88659	PLUG	1	
4	AT211675	CAP SCREW	9	
5	MIU802452	BOLT	4	
6	MIU801095	SEAL	1	
7	MIA882146	OIL PAN	1	
8	M806544	DRAIN PLUG	1	
10	M806545	WASHER	1	
11	19M7864	SCREW	16	M8 X 12, SUB FOR CH19137
12	MIU802138	SENSOR	1	Flywheel
13	M800695	BOLT	1	

**<https://www.ebooklibonline.com>**

Hello dear friend!

Thank you very much for reading.

Enter the link into your browser.

The full manual is available for immediate download.

**<https://www.ebooklibonline.com>**