

KEY	PART NO.	PART NAME	QTY	REMARKS
1	CYLINDER BLOCK	NA	(NOT AVAILABLE SEPARATELY) (MARKED R522220)NSEP
2	R528188	PIN	4	
3	R502725	PLUG	1	(DIPSTICK TUBE)
4	34M7247	SPRING PIN	2	11 X 16 mm
5	RE71255	PIPE PLUG	24	1/8''-27NPT
6	R504965	PLUG	1	
7	R48685	DOWEL PIN	2	(SUB FOR A120R)
8	15H685	PIPE PLUG	1	1/4", 1/4''-18NPT
9	R116466	PLUG	6	
10	R515003	SCREW	8	
11	R515004	SCREW	2	
12	R505135	ORIFICE	4	
13	R503315	BUSHING	4	
14	T18891	PLUG	1	OD 16MM
15	R504808	BUSHING	4	
16	L157372	SCREW	2	
17	CAMSHAFT	1	(MARKED R528191) (ORDER RE533933)(9901)
17	RE533933	CAM KIT	1	
17	SE502116	CAMSHAFT REMAN	1	(REMAN FOR RE533933)
18	R515112	SHIM	1	(Friction Washer)
19	RE518215	BALL BEARING	1	
20	R523409	SPUR GEAR	1	
21	R522976	WHEEL	1	
22	19M7923	CAP SCREW	4	M6 X 12
23	R516770	WASHER	1	
24	R517240	SCREW	1	
..	COMPLETE BLOCK ASSEMBLY	1	(9901)

<https://www.ebooklibonline.com>

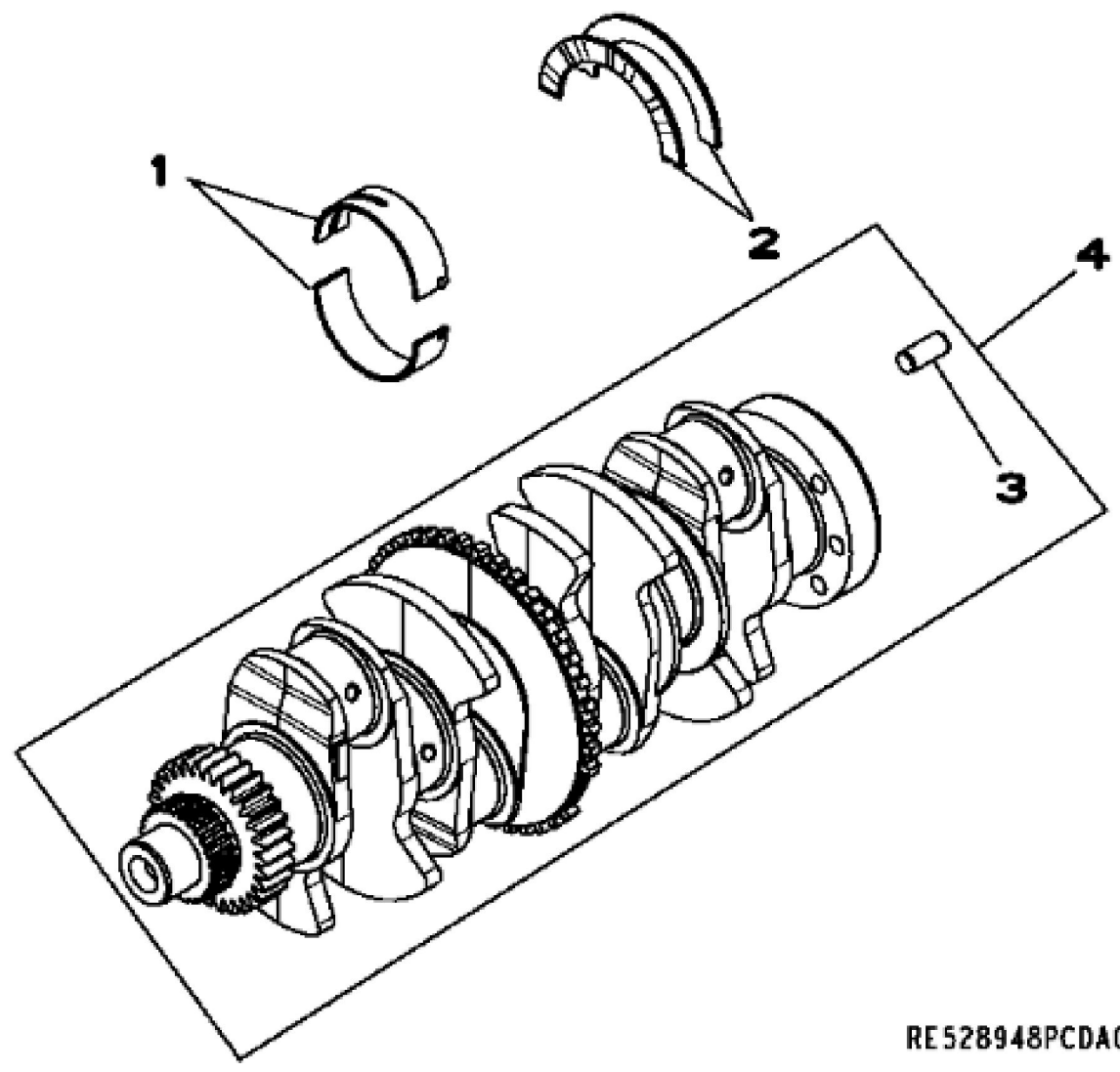
Hello dear friend!

Thank you very much for reading.

Enter the link into your browser.

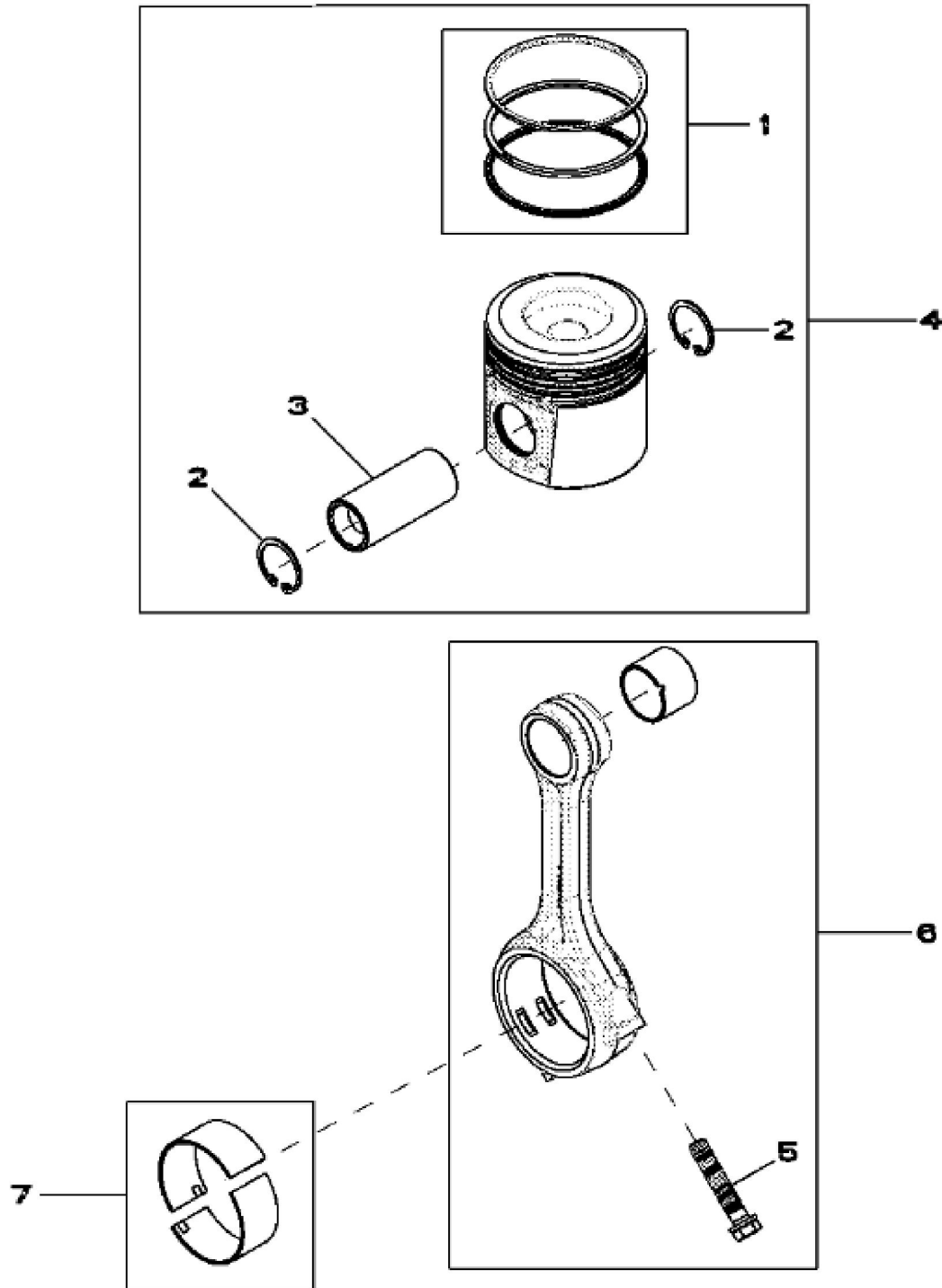
The full manual is available for immediate download.

<https://www.ebooklibonline.com>



RE528948PCDA01

KEY	PART NO.	PART NAME	QTY	REMARKS	
1	RE520626	BEARING KIT	5	STD	
2	RE520627	BEARING KIT	2		
3	R48685	DOWEL PIN	1		
4	RE527590	CRANKSHAFT	1		





Suggest:

For more complete manuals. Please go to the home page.

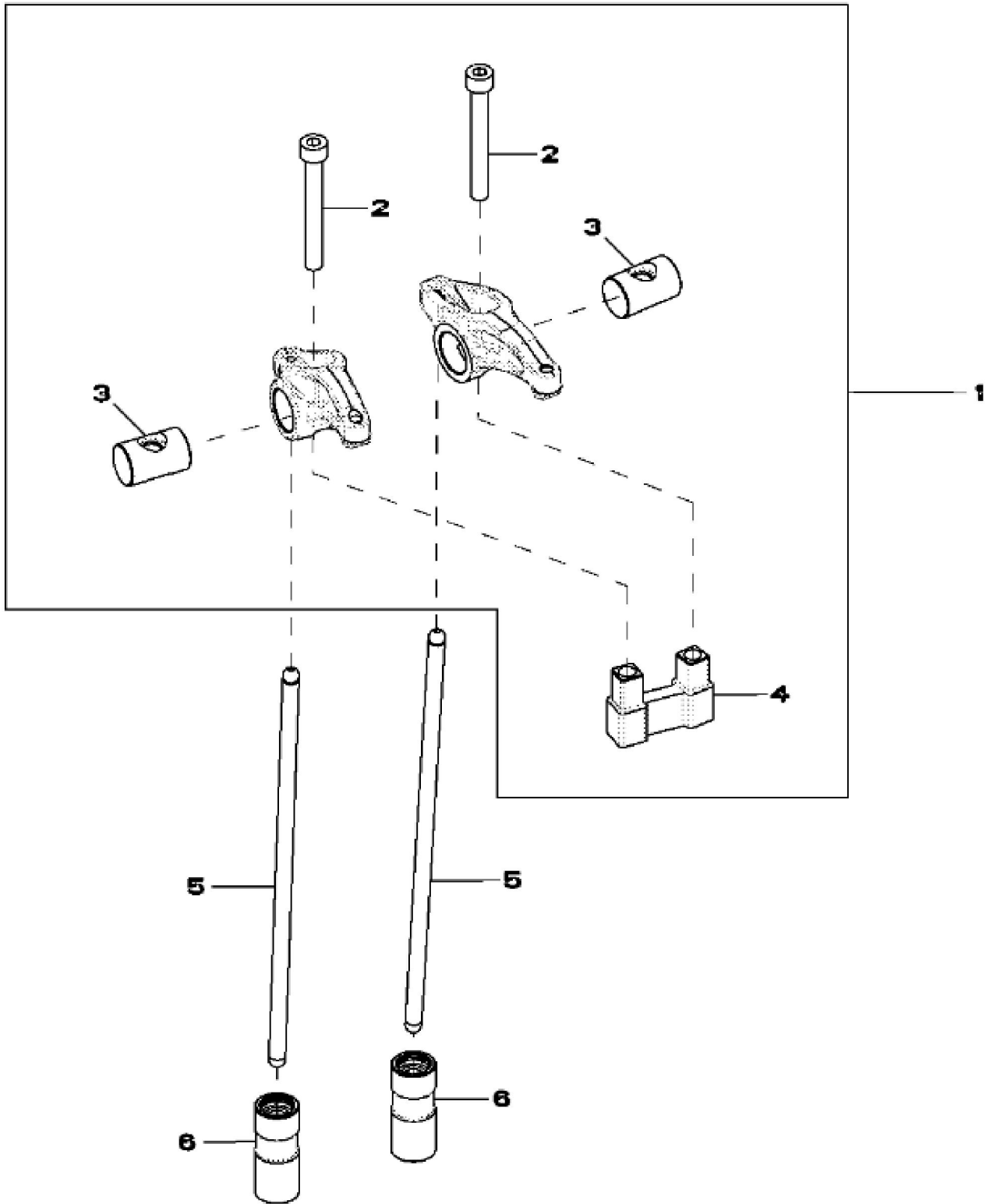
<https://www.ebooklibonline.com>

If the above button click is invalid. Please download this document first, and then click the above link to download the complete manual.

Thank you so much for reading

John Deere > Turf And Utility > LOADER, SKID-STEER > 4024HT011 - LOADER, SKID-STEER > 319D Compact Track Loader > 20 ENGINE 4024HT011-RE528665 > ST555 - 4814 CONNECTING RODS AND PISTONS

KEY	PART NO.	PART NAME	QTY	REMARKS	
1	RE533955	PISTON RING KIT	4	STD	
2	40M1855	SNAP RING	8		
3	R503480	PISTON PIN	4	OD 30MM	
4	RE536353	PISTON REPLACEMENT KIT	4	(MARKED RE527622)STD	
5	R502503	SCREW	8	M10 X 49	
6	RE504544	CONNECTING ROD	4		
6	SE501898	CONNECTING ROD REMAN	1	(REMAN FOR RE504544)	
7	RE520937	BEARING KIT	4	STD	



<https://www.ebooklibonline.com>

Hello dear friend!

Thank you very much for reading.

Enter the link into your browser.

The full manual is available for immediate download.

<https://www.ebooklibonline.com>