

John Deere > Turf And Utility > LOADER, SKID-STEER > 318G - LOADER, SKID-STEER > 318G Skid Steer Loader (PIN: 1T0318G__G298752-) > 04 ENGINE > 0432 FINISH ASSEMBLY, ENGINE > ST856430 - CYLINDER BLOCK

KEY	PART NO.	PART NAME	QTY	REMARKS
1	MIA884213	CYLINDER BLOCK	1	
4	CH10314	PLUG	1	
5	M809565	DRAIN PLUG	1	
6	CH10335	PLUG	2	
7	CH10335	PLUG	1	
8	CH18379	PLUG	1	
9	M801189	BOLT	10	
12	MIU800573	CAMSHAFT	1	
13	M87801	PLUG	2	
15	M802255	PIN	2	
16	M802255	PIN	2	
17	M800974	PIPE	2	
21	MIA880555	BEARING	2	
21	MIA882809	BEARING	1	Oversized 0.25
24	MIU800797	SHAFT	1	
25	T110724	CHECK VALVE	4	
31	T110725	NOZZLE	4	
32	CH15575	PIN	4	
33	CH18079	SPRING PIN	4	
34	M89128	BOLT	3	
35	M801186	BOLT	18	
37	MIA880554	BEARING	5	
37	MIA880550	BEARING	5	Undersized 0.25

<https://www.ebooklibonline.com>

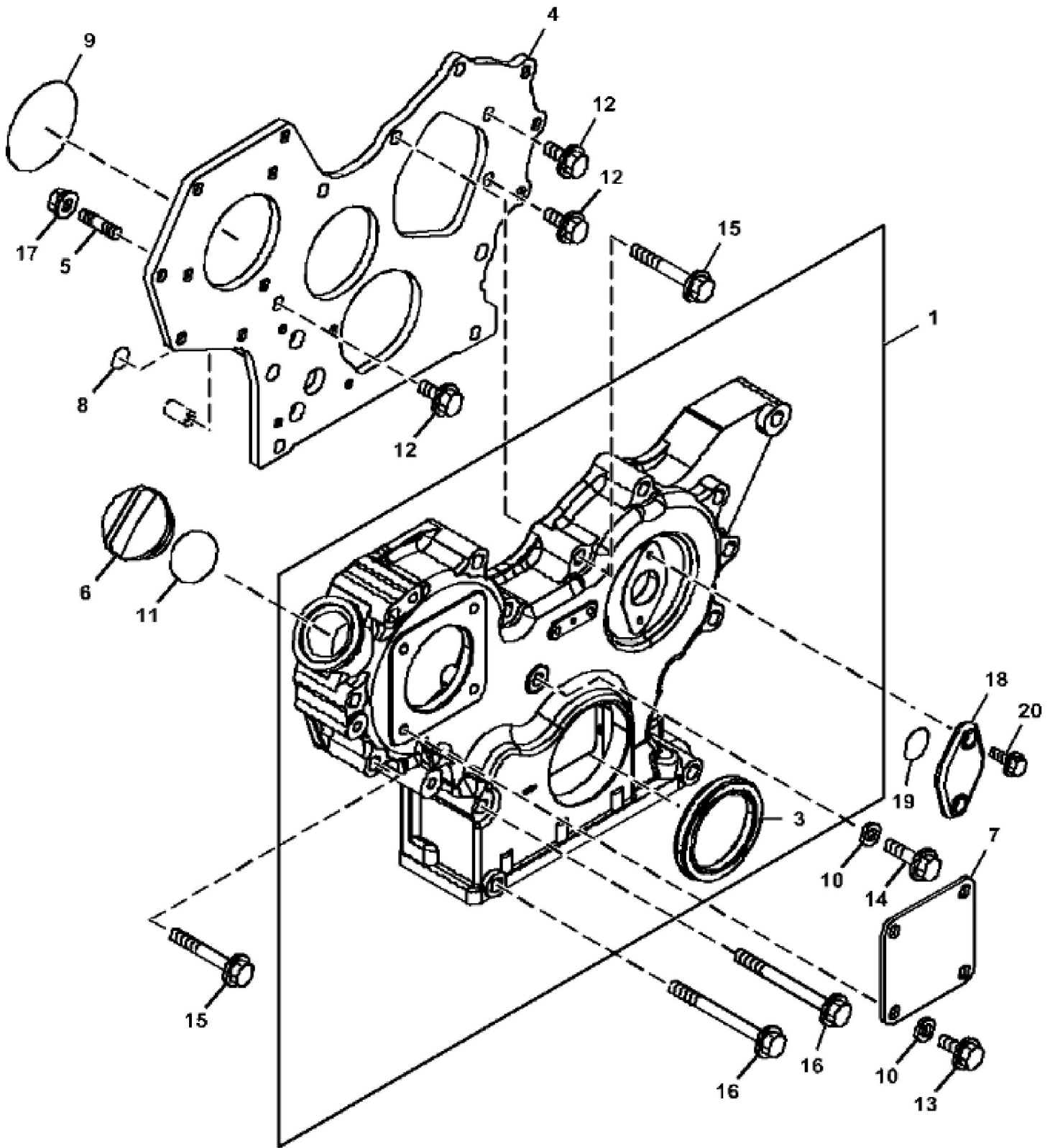
Hello dear friend!

Thank you very much for reading.

Enter the link into your browser.

The full manual is available for immediate download.

<https://www.ebooklibonline.com>



John Deere > Turf And Utility > LOADER, SKID-STEER > 318G - LOADER, SKID-STEER > 318G Skid Steer Loader (PIN: 1T0318G__G298752-) > 04 ENGINE > 0432 FINISH ASSEMBLY, ENGINE > ST853992 - GEAR HOUSING

KEY	PART NO.	PART NAME	QTY	REMARKS
1	MIA880879	GEAR CASE	1	
3	M811078	SEAL	1	
4	MIU800874	FLANGE	1	
5	MIU800440	STUD	1	
6	M805710	CAP	1	
7	CH18096	COVER	1	
8	M810185	O-RING	2	
9	CH16940	O-RING	1	
10	M806424	WASHER	5	
11	M805711	PACKING	1	
12	CH18390	BOLT	3	
13	CH18390	BOLT	4	
14	CH18386	BOLT	1	
15	CH19090	BOLT	12	
16	CH19136	BOLT	3	
17	M810186	NUT	3	
18	MIU800476	COVER	1	
19	CH13526	PACKING	1	
20	M87868	BOLT	2	



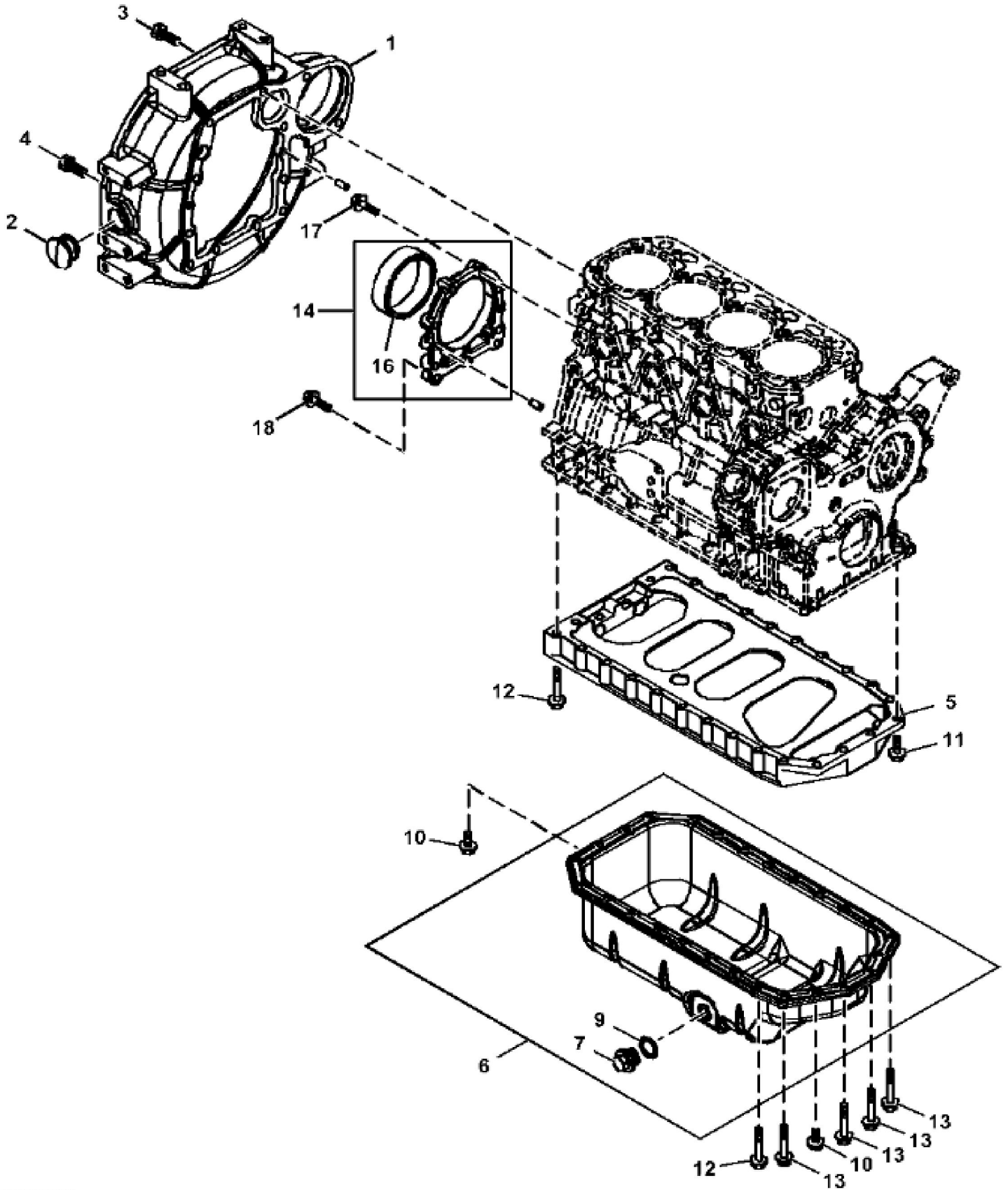
Suggest:

For more complete manuals. Please go to the home page.

<https://www.ebooklibonline.com>

If the above button click is invalid. Please download this document first, and then click the above link to download the complete manual.

Thank you so much for reading



John Deere > Turf And Utility > LOADER, SKID-STEER > 318G - LOADER, SKID-STEER > 318G Skid Steer Loader (PIN: 1T0318G__G298752-) > 04 ENGINE > 0432 FINISH ASSEMBLY, ENGINE > ST853990 - FLYWHEEL HOUSING AND OIL SUMP

KEY	PART NO.	PART NAME	QTY	REMARKS
1	M808276	HOUSING	1	
2	M88659	PLUG	1	
3	M800077	BOLT	6	
4	M801201	BOLT	4	
5	M801207	INTERMEDIATE HOUSING	1	
6	MIA884136	OIL PAN	1	
7	M806544	DRAIN PLUG	1	
9	M806545	WASHER	1	
10	CH18390	BOLT	4	
11	CH19085	BOLT	2	
12	CH19101	BOLT	20	
13	CH19086	BOLT	4	
14	MIA881006	CASE	1	
16	MIU800955	SEAL	1	
17	M808308	BOLT	6	
18	CH19090	BOLT	3	SUB FOR M87884

<https://www.ebooklibonline.com>

Hello dear friend!

Thank you very much for reading.

Enter the link into your browser.

The full manual is available for immediate download.

<https://www.ebooklibonline.com>