

TX1132196

John Deere > Turf And Utility > LOADER, SKID-STEER > 318E - LOADER, SKID-STEER > 318E Skid Steer Loader (PIN: 1T0318E__J249323-) > 04A ENGINE, 4TNV98CT 4TNV98CT-AT442273 - AT393506 > 0404
 CYLINDER BLOCK 4TNV98CT 4TNV98CT > ST750459 - CYLINDER BLOCK (ENGINE 4TNV98CT-ETN123875)

KEY	PART NO.	PART NAME	QTY	REMARKS
4	M809594	PLUG	1	
5	15H562	PIPE PLUG	1	1", SUB FOR CH18379
6	AT211653	BOLT	10	
9	AT211656	BUSHING	1	
10	30M7023	PLUG	8	
11	CH18079	SPRING PIN	2	
12	M806938	PLUG	1	
13	M806938	PLUG	1	
14	M806938	PLUG	1	
15	M806938	PLUG	1	
19	MIA880556	BEARING	2	
19	MIA880558	BEARING	2	Undersized; 0.25
22	AT211658	BOLT	18	
23	MIU802832	GASKET	1	
24	MIA880548	BEARING	5	
24	MIA880547	BEARING	5	Undersized; 0.25

<https://www.ebooklibonline.com>

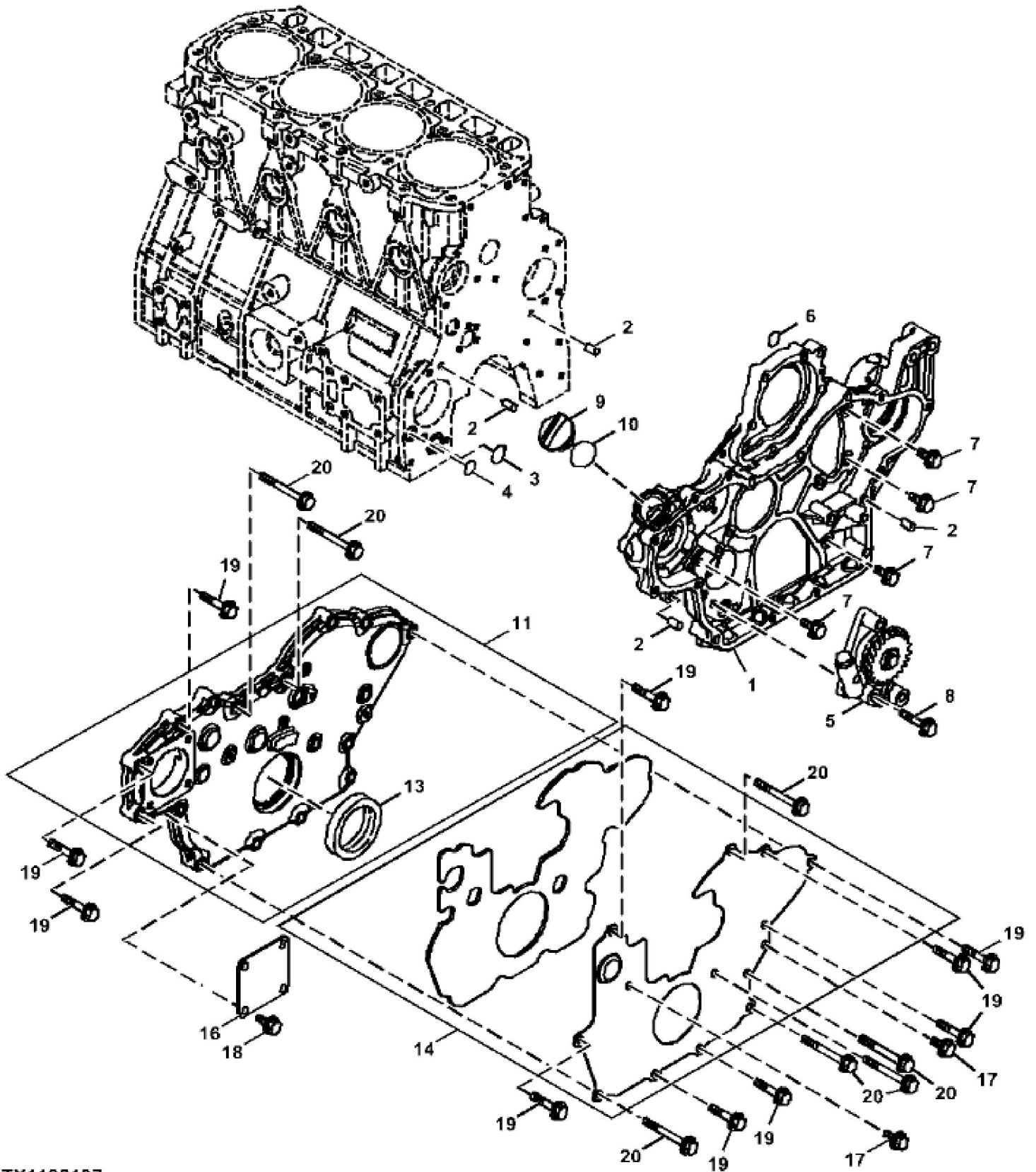
Hello dear friend!

Thank you very much for reading.

Enter the link into your browser.

The full manual is available for immediate download.

<https://www.ebooklibonline.com>



TX1132197

John Deere > Turf And Utility > LOADER, SKID-STEER > 318E - LOADER, SKID-STEER > 318E Skid Steer Loader (PIN: 1T0318E__J249323-) > 04A ENGINE, 4TNV98CT 4TNV98CT-AT442273 - AT393506 > 0404
 CYLINDER BLOCK 4TNV98CT 4TNV98CT > ST750169 - GEAR HOUSING (ENGINE 4TNV98CT-ETN123875)

KEY	PART NO.	PART NAME	QTY	REMARKS
1	MIU802921	GEAR CASE	1	
2	M802255	PIN	4	
3	AT211670	O-RING	1	
4	AT211671	O-RING	1	
5	MIA882626	OIL PUMP	1	
6	CH10567	PACKING	1	
7	CH18390	BOLT	4	
8	CH19101	BOLT	3	
9	M805710	CAP	1	
10	M805711	PACKING	1	
11	MIU802835	COVER	1	
13	MIU801096	SEAL	1	
14	MIA882548	COVER	1	
16	CH18096	COVER	1	
17	CH18390	BOLT	2	
18	CH18390	BOLT	4	
19	M89128	BOLT	10	
20	CH19100	BOLT	7	



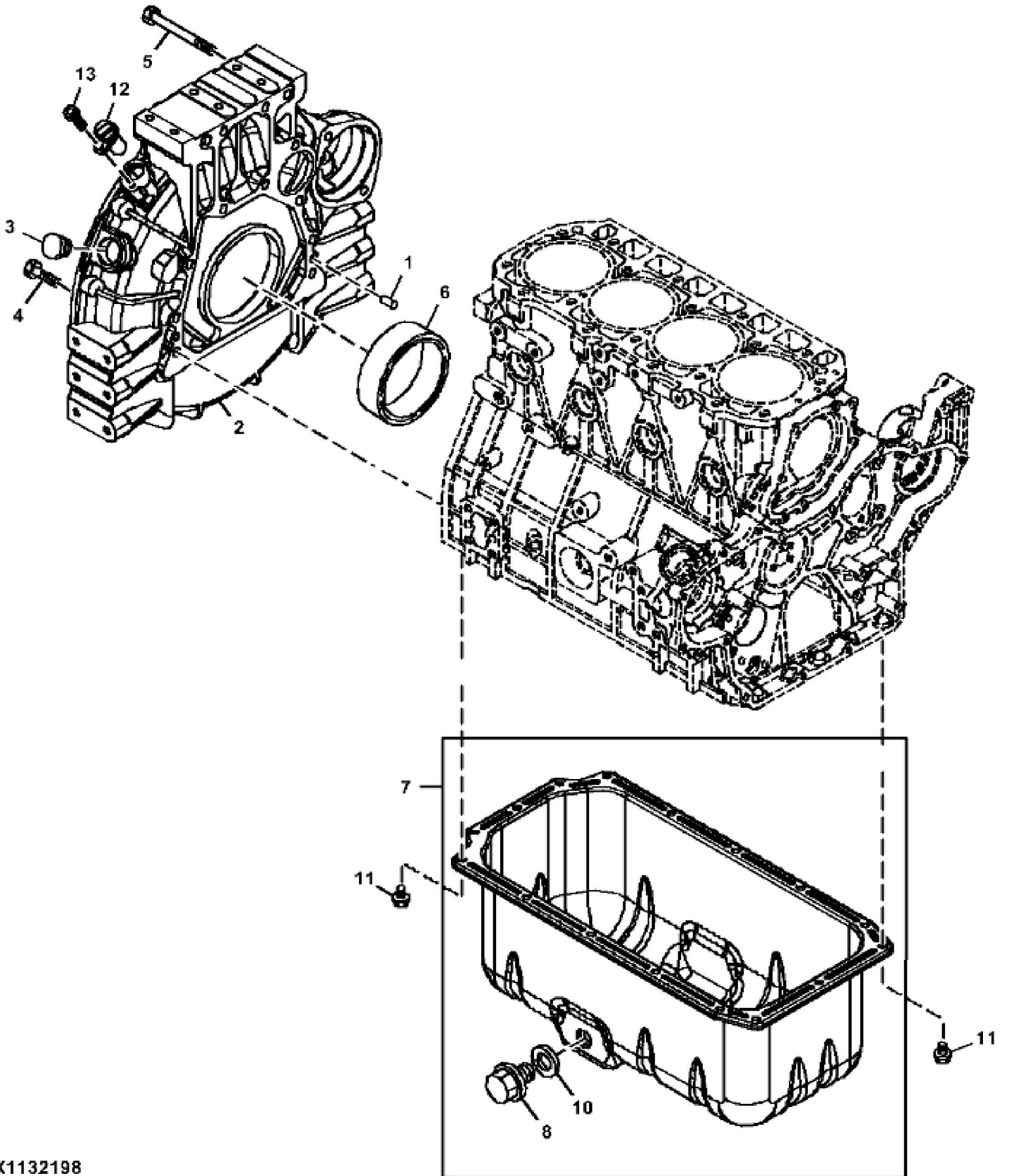
Suggest:

For more complete manuals. Please go to the home page.

<https://www.ebooklibonline.com>

If the above button click is invalid. Please download this document first, and then click the above link to download the complete manual.

Thank you so much for reading



TX1132198

John Deere > Turf And Utility > LOADER, SKID-STEER > 318E - LOADER, SKID-STEER > 318E Skid Steer Loader (PIN: 1T0318E__J249323-) > 04A ENGINE, 4TNV98CT 4TNV98CT-AT442273 - AT393506 > 0404 CYLINDER BLOCK 4TNV98CT 4TNV98CT > ST750170 - FLYWHEEL HOUSING AND OIL SUMP (ENGINE 4TNV98CT-ETN123875)

KEY	PART NO.	PART NAME	QTY	REMARKS
1	M802255	PIN	2	
2	MIU802837	HOUSING	1	
3	M88659	PLUG	1	
4	AT211675	CAP SCREW	9	
5	MIU802452	BOLT	4	
6	MIU801095	SEAL	1	
7	MIA882146	OIL PAN	1	
8	M806544	DRAIN PLUG	1	
10	M806545	WASHER	1	
11	19M7864	SCREW	16	M8 X 12, SUB FOR CH19137
12	MIU802138	SENSOR	1	Flywheel
13	M800695	BOLT	1	

<https://www.ebooklibonline.com>

Hello dear friend!

Thank you very much for reading.

Enter the link into your browser.

The full manual is available for immediate download.

<https://www.ebooklibonline.com>