

John Deere > Construction And Forestry >BACKHOE, LOADER >315SL - BACKHOE, LOADER >315SL Backhoe Loader (Engine 4045HT086, 4045TT096)(PIN: 1T0315SL_ _C273920-)(PIN: 1T0315SL_ _D273920-) >04A ENGINE 4045HT086-RE566132 >0400A ENGINE 4045HT086-RE566132 4045HT086 >ST349518 - 1160 ROCKER ARM COVER

| KEY | PART NO. | PART NAME | QTY | REMARKS | |
|-----|----------|-------------|-----|---------------------------------|--|
| 1 | RE527858 | SCREW | 2 | | |
| 2 | R522409 | HEAT SHIELD | 1 | | |
| 3 | H23125 | PLUG | 4 | | |
| 4 | R123574 | NUT | 4 | | |
| 5 | R123575 | O-RING | 4 | | |
| 6 | R520896 | VALVE COVER | 1 | (Not Illustrated) ORDER R543879 | |
| 6 | R543879 | VALVE COVER | 1 | MARKED R543880 | |
| 7 | R524468 | GASKET | 1 | | |
| 8 | RE528742 | DEFLECTOR | 1 | | |
| 9 | 19M7862 | SCREW | 1 | M6 X 20 | |

<https://www.ebooklibonline.com>

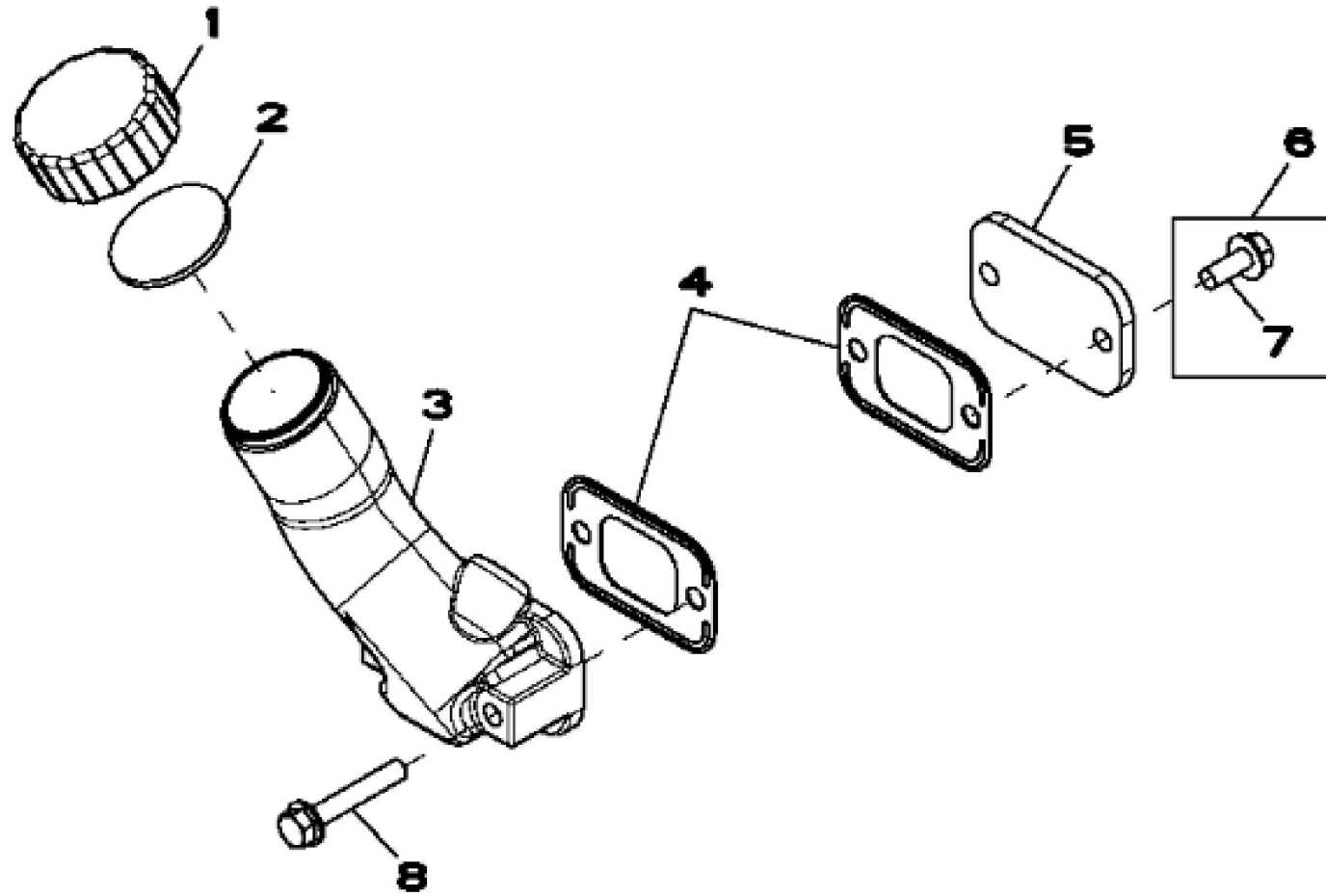
Hello dear friend!

Thank you very much for reading.

Enter the link into your browser.

The full manual is available for immediate download.

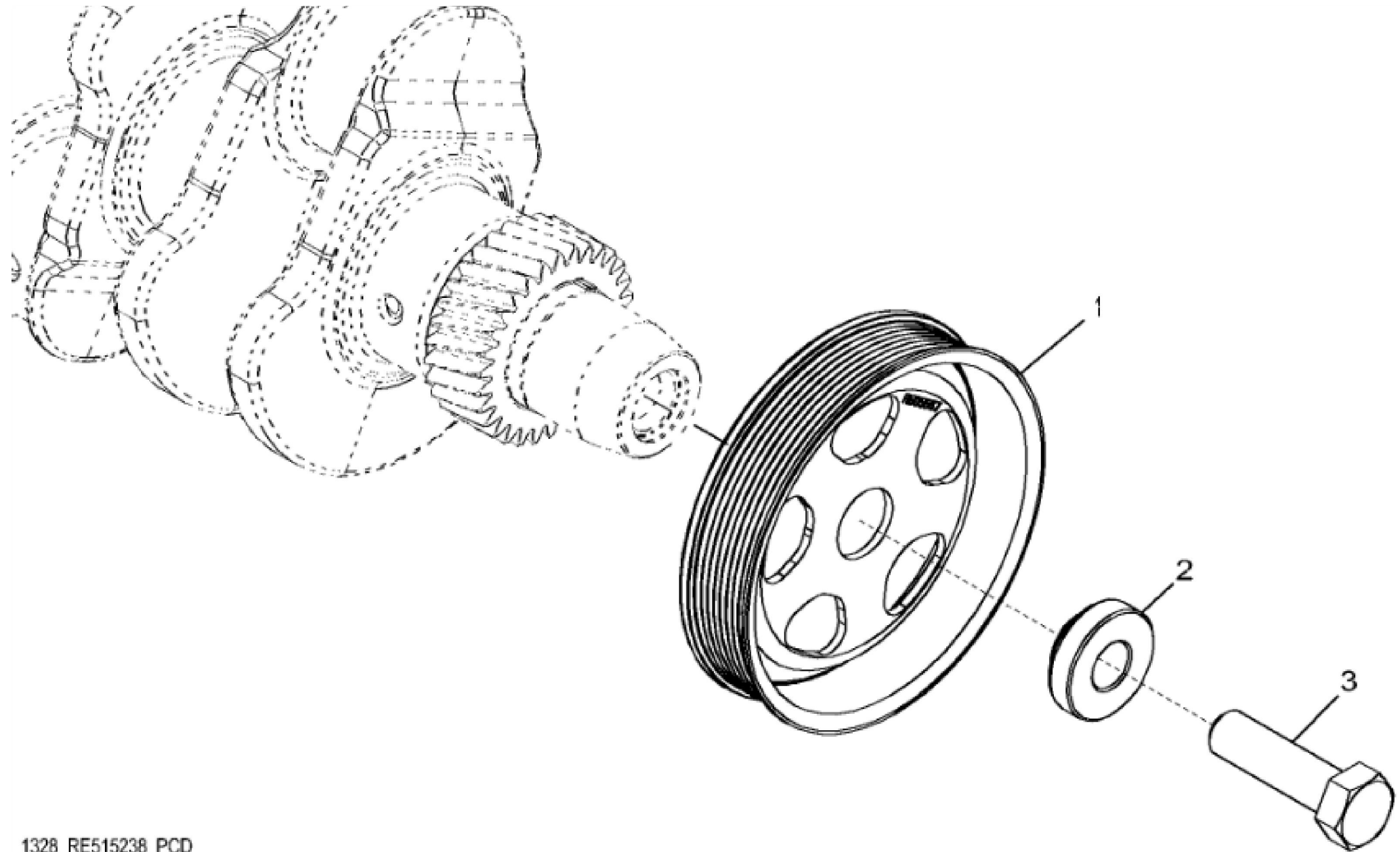
<https://www.ebooklibonline.com>



RE515712PCDD02

John Deere > Construction And Forestry >BACKHOE, LOADER >315SL - BACKHOE, LOADER >315SL Backhoe Loader (Engine 4045HT086, 4045TT096)(PIN: 1T0315SL_ _C273920-)(PIN: 1T0315SL_ _D273920-) >04A ENGINE 4045HT086-RE566132 >0400A ENGINE 4045HT086-RE566132 4045HT086 >ST2266 - 1229 OIL FILLER NECK

| KEY | PART NO. | PART NAME | QTY | REMARKS | |
|-----|----------|-------------|-----|-----------------------------|--|
| 1 | R80136 | FILLER CAP | 1 | | |
| 2 | R80135 | GASKET | 1 | | |
| 3 | R517353 | FILLER NECK | 1 | (SUB FOR R123558) | |
| 4 | R136495 | GASKET | 2 | | |
| 5 | R116296 | COVER | 1 | | |
| 6 | RE67238 | SCREW | 2 | W PREAPPLIED SEALANT | |
| 7 | 19M7866 | SCREW | 1 | M8 X 20 | |
| 8 | RE67240 | SCREW | 2 | (USE WITH R123558) | |
| 8 | 19M7799 | SCREW | 2 | M8 X 45, (USE WITH R517353) | |



1328_RE515238_PCD



Suggest:

For more complete manuals. Please go to the home page.

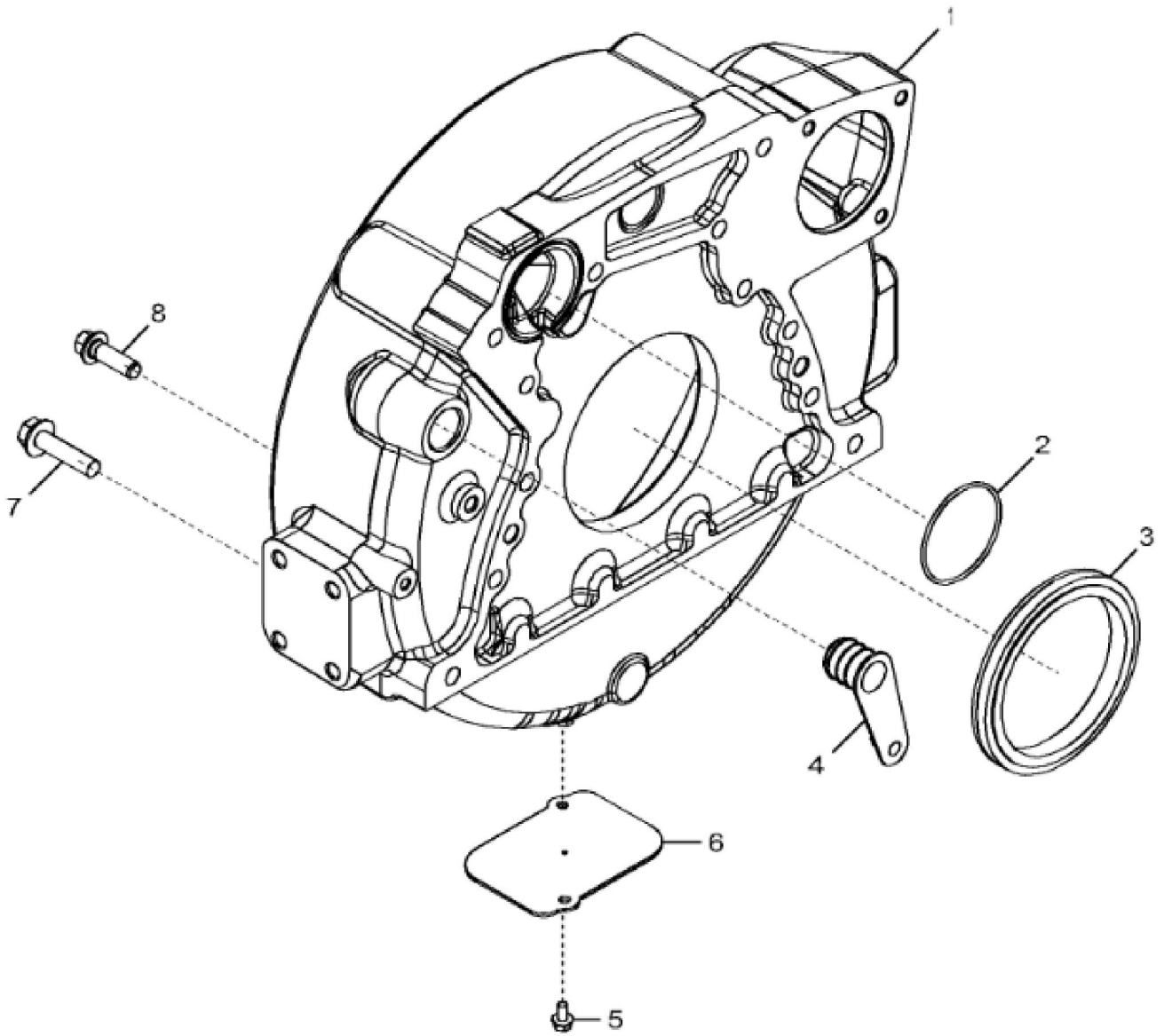
<https://www.ebooklibonline.com>

If the above button click is invalid. Please download this document first, and then click the above link to download the complete manual.

Thank you so much for reading

John Deere > Construction And Forestry > BACKHOE, LOADER > 315SL - BACKHOE, LOADER > 315SL Backhoe Loader (Engine 4045HT086, 4045TT096)(PIN: 1T0315SL_ _C273920-)(PIN: 1T0315SL_ _D273920-) > 04A ENGINE 4045HT086-RE566132 > 0400A ENGINE 4045HT086-RE566132 4045HT086 > ST628039 - 1328 CRANKSHAFT PULLEY

| KEY | PART NO. | PART NAME | QTY | REMARKS | |
|-----|----------|-----------|-----|---------------------------|--|
| 1 | R505567 | PULLEY | 1 | OD = 173 mm | |
| 2 | R515040 | BUSHING | 1 | OD = 50 mm | |
| 3 | R516648 | CAP SCREW | 1 | (One Time Usage) M20 X 70 | |



<https://www.ebooklibonline.com>

Hello dear friend!

Thank you very much for reading.

Enter the link into your browser.

The full manual is available for immediate download.

<https://www.ebooklibonline.com>