

TP3697

John Deere > Construction And Forestry >BACKHOE, LOADER >315C - BACKHOE, LOADER >315C Sideshift Backhoe Loader >4 ENGINE 4 >CAMSHAFT AND VALVE ACTUATING MEANS 0402 >0402-4 -
ROCKER ARM COVER [01E19]

KEY	PART NO.	PART NAME	QTY	REMARKS	
1	AR103811	SCREW WITH WASHER	8	(SUB FOR AR100124)	
2	AR73604	COVER	1		
3	AR100596	GASKET	1		

<https://www.ebooklibonline.com>

Hello dear friend!

Thank you very much for reading.

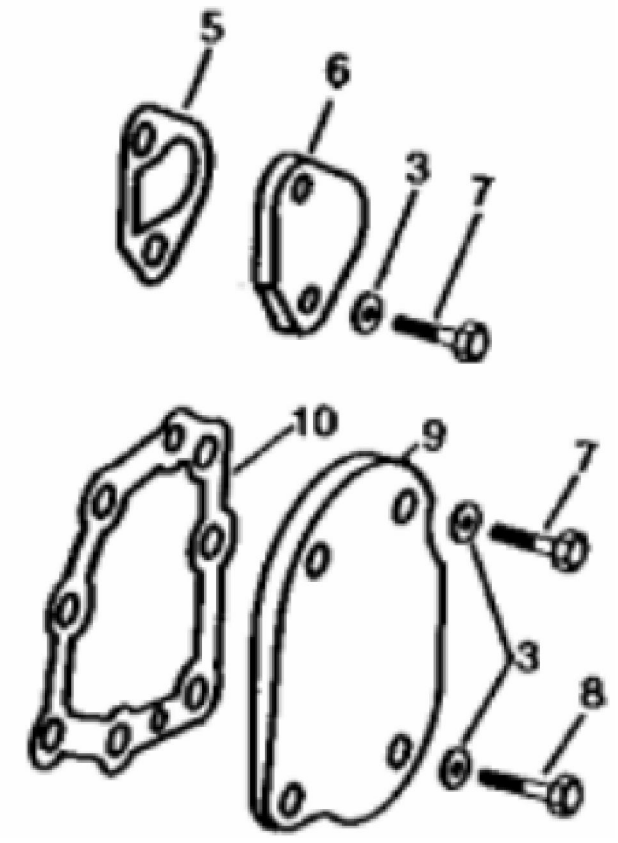
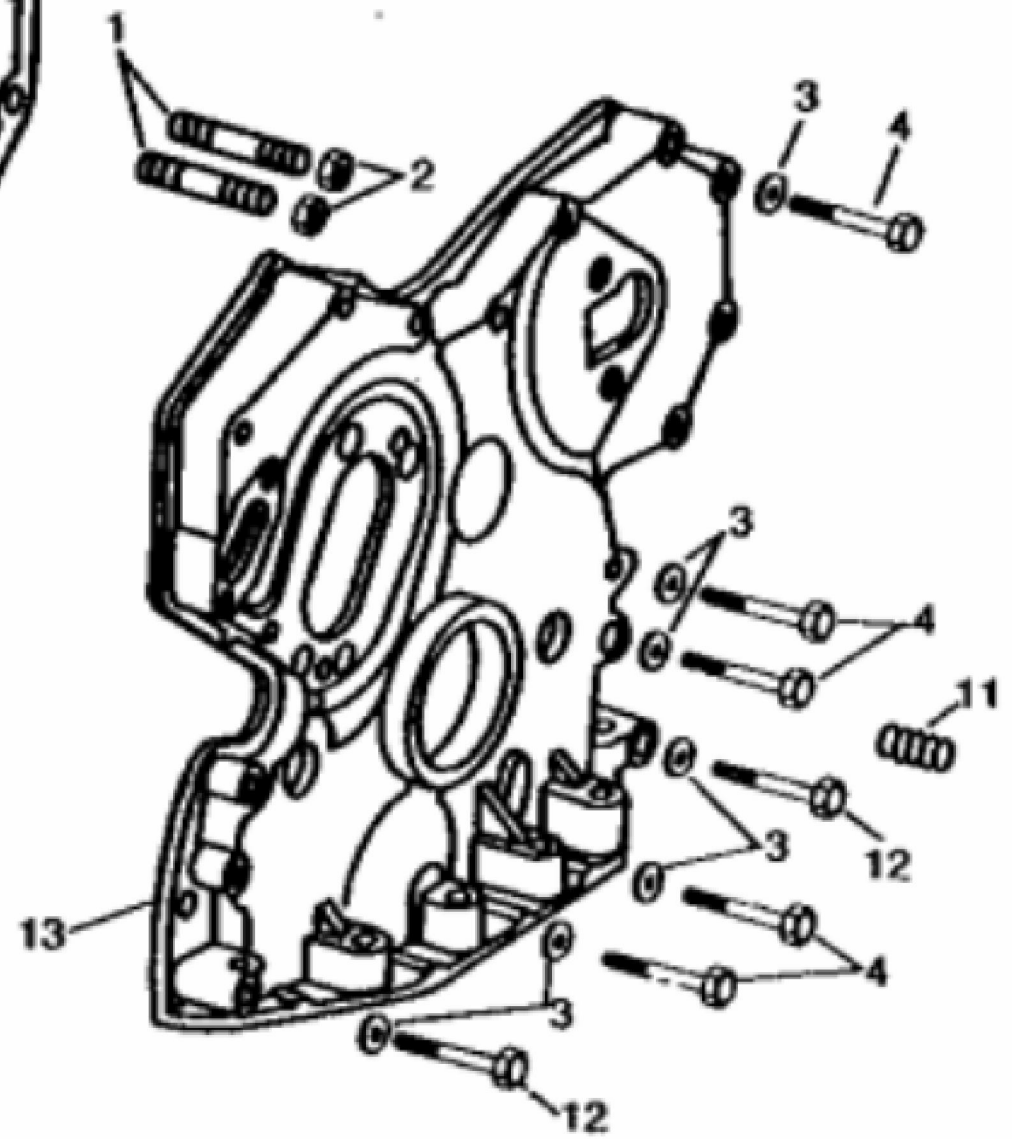
Enter the link into your browser.

The full manual is available for immediate download.

<https://www.ebooklibonline.com>

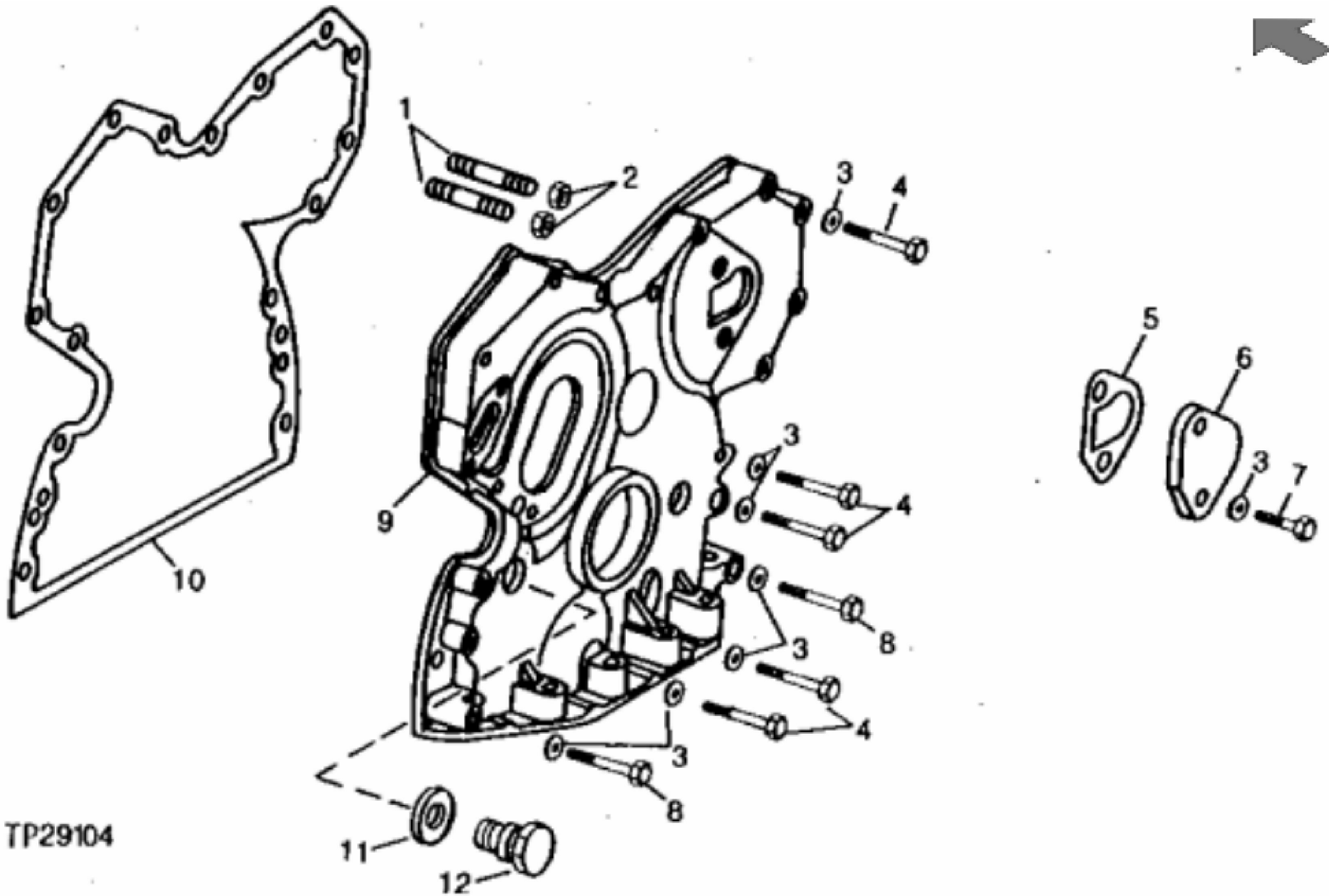


TP861



John Deere > Construction And Forestry >BACKHOE, LOADER >315C - BACKHOE, LOADER >315C Sideshift Backhoe Loader >4 ENGINE 4 >CAMSHAFT AND VALVE ACTUATING MEANS 0402 >0402-5 - TIMING GEAR COVER (ENGINE SERIAL NO. -299999) [01E20]

KEY	PART NO.	PART NAME	QTY	REMARKS
1	R122226	STUD	2	(SUB FOR R122226)
2	12H304	LOCK WASHER	2	3/8"
2	14H812	NUT	2	3/8"
3	24H1304	WASHER	AR	13/32" X 23/32" X 0.120"
4	19H3065	CAP SCREW	10	3/8" X 2"
5	R78366	GASKET	1	
6	R126041	COVER	1	(SUB FOR T20362)
7	R124277	CAP SCREW	3	(SUB FOR R122618, THIS APPLICATION)
8	19H1819	CAP SCREW	1	3/8" X 2-1/8"
9	T20272	COVER	1	
10	T20273	GASKET	1	
11	15H275	PIPE PLUG	1	1/4"
12	19H3031	CAP SCREW	2	3/8" X 2-1/2"
13	AR58196	COVER	1	(MARKED R52880) (ALSO ORDER T20272, T20273, 15H275, 19H1726, (3) 19H2284 AND (4) 24H1304)
14	T20155	GASKET	1	



TP29104



Suggest:

For more complete manuals. Please go to the home page.

<https://www.ebooklibonline.com>

If the above button click is invalid. Please download this document first, and then click the above link to download the complete manual.

Thank you so much for reading

John Deere > Construction And Forestry >BACKHOE, LOADER >315C - BACKHOE, LOADER >315C Sideshift Backhoe Loader >4 ENGINE 4 >CAMSHAFT AND VALVE ACTUATING MEANS 0402 >0402-6 - TIMING GEAR COVER (ENGINE SERIAL NO. 300000-) [01E21]

KEY	PART NO.	PART NAME	QTY	REMARKS
1	R122226	STUD	2	(SUB FOR R122226)
2	14H812	NUT	2	3/8"
2	12H304	LOCK WASHER	2	3/8"
3	24H1304	WASHER	AR	13/32" X 23/32" X 0.120"
4	19H2549	CAP SCREW	10	3/8" X 1-7/8"
5	R125066	GASKET	1	(SUB FOR R97773)
6	R126041	COVER	1	(SUB FOR T20362)
7	R124277	CAP SCREW	2	(SUB FOR R122618, THIS APPLICATION)
8	19H3031	CAP SCREW	2	3/8" X 2-1/2"
9	RE39252	COVER	1	WITH INSERTS, (SUB FOR RE27895)
10	R126513	GASKET	1	(SUB FOR R97454, R119269 OR R121314)
11	A4827R	WASHER	1	
12	T27657	FITTING PLUG	1	

<https://www.ebooklibonline.com>

Hello dear friend!

Thank you very much for reading.

Enter the link into your browser.

The full manual is available for immediate download.

<https://www.ebooklibonline.com>