

- CYLINDER BLOCK

KEY	PART NO.	PART NAME	QTY	REMARKS	
4	M809565	DRAIN PLUG	1		
6	M801189	BOLT	10		
11	CH10314	PLUG	1		
12	CH10335	PLUG	2		
13	CH10335	PLUG	1		
17	MIA880555	BEARING	2		
20	M87801	PLUG	1		
21	M801186	BOLT	18		
22	MIA882027	GASKET KIT	1		
23	MIA880554	BEARING	5		
23	MIA880550	BEARING	5	Undersized 0.25	

<https://www.ebooklibonline.com>

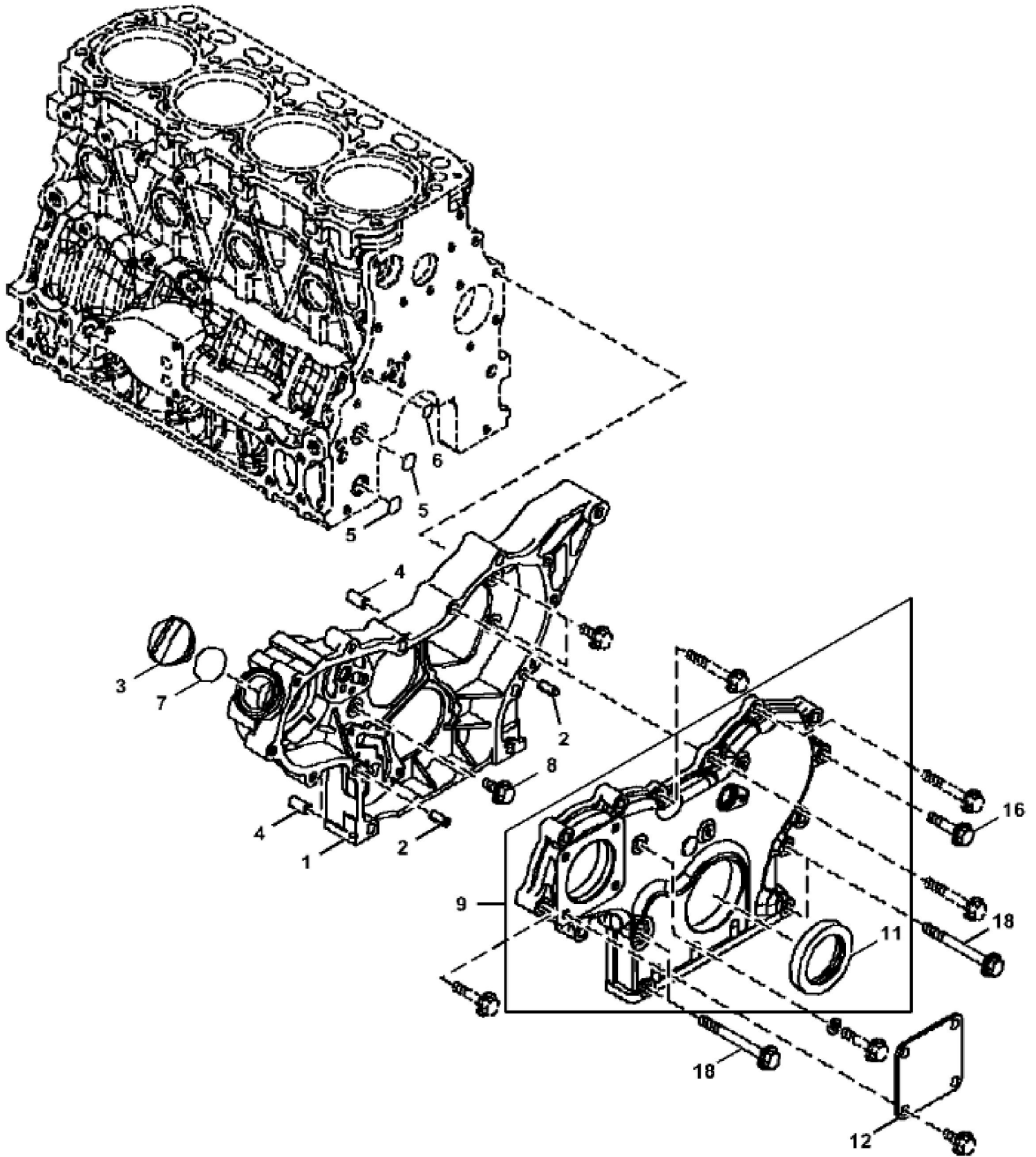
Hello dear friend!

Thank you very much for reading.

Enter the link into your browser.

The full manual is available for immediate download.

<https://www.ebooklibonline.com>



TX1201057

John Deere > Turf And Utility > LOADER, SKID-STEER > 4TNV86CT - LOADER, SKID-STEER > 314G Skid Steer Loader (PIN: 1T0314G_ _J288093-) > 04 ENGINE > 0443 FINISH ASSEMBLY, ENGINE > ST846495
- GEAR HOUSING

KEY	PART NO.	PART NAME	QTY	REMARKS	
1	MIU802098	GEAR CASE	1		
2	M802255	PIN	2		
3	M805710	CAP	1		
4	M800974	PIPE	2		
5	M810185	O-RING	2		
6	M809204	O-RING	1		
7	M805711	PACKING	1		
8	19M7865	SCREW	1	M8 X 16	
9	MIA881991	COVER	1		
11	M811078	SEAL	1		
12	CH18096	COVER	1		
16	19M7801	SCREW	7	M8 X 60	
18	CH19136	BOLT	4		



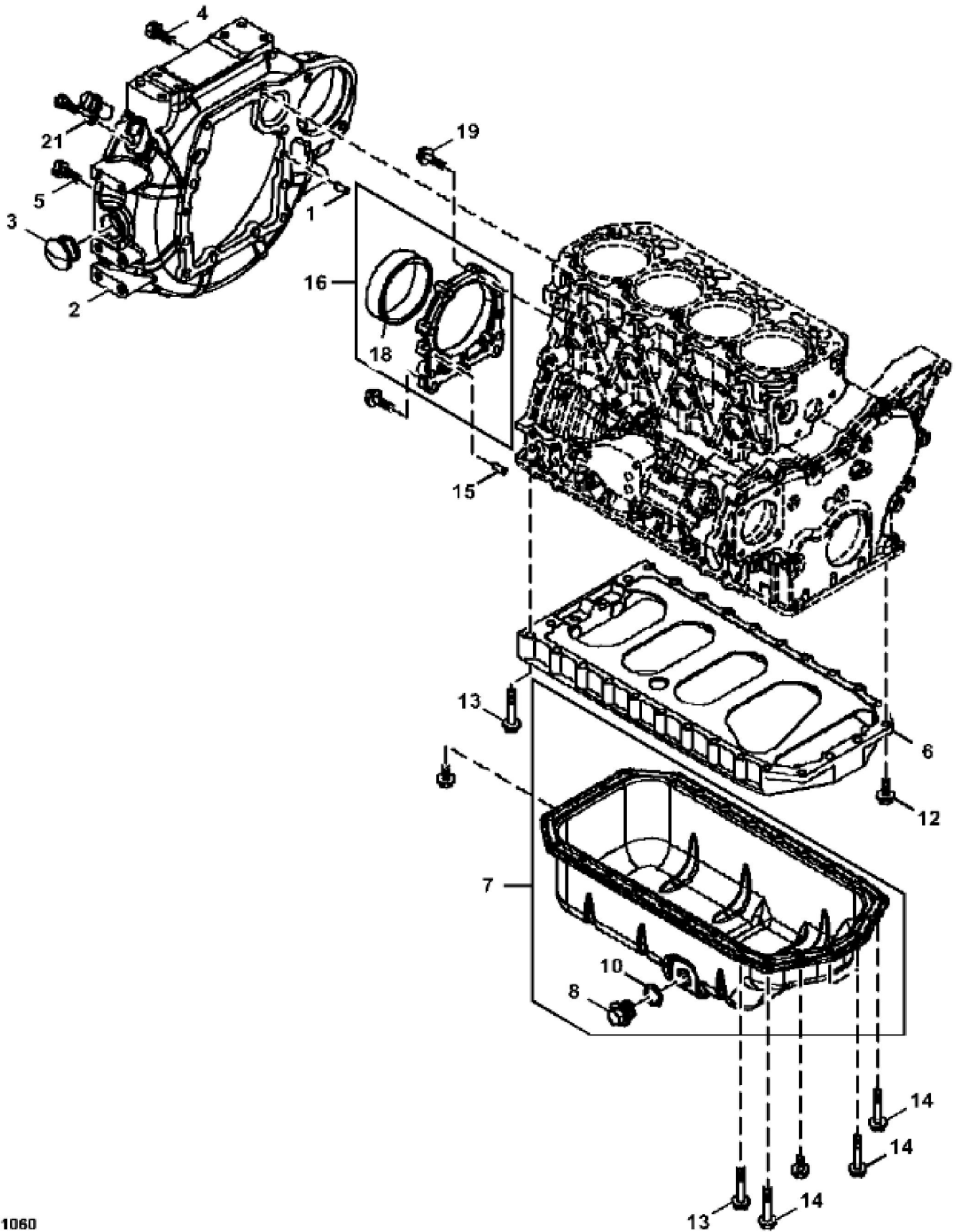
Suggest:

For more complete manuals. Please go to the home page.

<https://www.ebooklibonline.com>

If the above button click is invalid. Please download this document first, and then click the above link to download the complete manual.

Thank you so much for reading



John Deere > Turf And Utility > LOADER, SKID-STEER > 4TNV86CT - LOADER, SKID-STEER > 314G Skid Steer Loader (PIN: 1T0314G_ _J288093-) > 04 ENGINE > 0443 FINISH ASSEMBLY, ENGINE > ST846556
 - FLYWHEEL HOUSING AND OIL SUMP

KEY	PART NO.	PART NAME	QTY	REMARKS
1	M802255	PIN	2	
2	MIU802741	FLYWHEEL	1	
3	M88659	PLUG	1	
4	M800077	BOLT	6	
5	M801201	BOLT	4	
6	M801207	INTERMEDIATE HOUSING	1	
7	MIA884136	OIL PAN	1	
8	M806544	DRAIN PLUG	1	
10	M806545	WASHER	1	
12	CH19085	BOLT	2	
13	CH19101	BOLT	20	
14	CH19086	BOLT	4	
15	M802255	PIN	2	
16	RG60617	CASE	1	
18	M801203	SEAL	1	
19	M808308	BOLT	6	
21	MIU802138	SENSOR	1	Flywheel Rev

<https://www.ebooklibonline.com>

Hello dear friend!

Thank you very much for reading.

Enter the link into your browser.

The full manual is available for immediate download.

<https://www.ebooklibonline.com>