

KEY	PART NO.	PART NAME	QTY	Engine Serial No.	REMARKS
1	CYLINDER BLOCK	NA	____-129992	(MARKED R502568) (USE WITH RE515352)
1	CYLINDER BLOCK	NA	129993-____	(MARKED R522220) (USE WITH RE529912)
2	R528188	PIN	4		
3	R502725	PLUG	1		(Dipstick Tube)
4	RE71255	PIPE PLUG	25		1/8"-27NPT
5	34M7247	SPRING PIN	2		11 X 16 mm
6	R504965	PLUG	1		
7	15H685	PIPE PLUG	1		1/4"
8	R48685	DOWEL PIN	2		(SUB FOR A120R)
9	R116466	PLUG	6		
10	R515003	SCREW	8		
11	R515004	SCREW	2		
12	R505135	ORIFICE	4		
13	R503315	BUSHING	4		
14	T18891	PLUG	1		OD 16MM
15	R504808	BUSHING	4		
16	34M7094	SPRING PIN	1		4 X 16 mm
17	L157372	SCREW	2		
18	CAMSHAFT	1		(MARKED R528140) (ORDER RE524771)
18	RE524771	CAM KIT	1		
18	SE501618	CAMSHAFT REMAN	1		(REMAN FOR RE524771)
19	RE518215	BALL BEARING	1		
..	COMPLETE BLOCK ASSEMBLY	1		(9901)
..	OIL PUMP INTAKE	1		(1900)

<https://www.ebooklibonline.com>

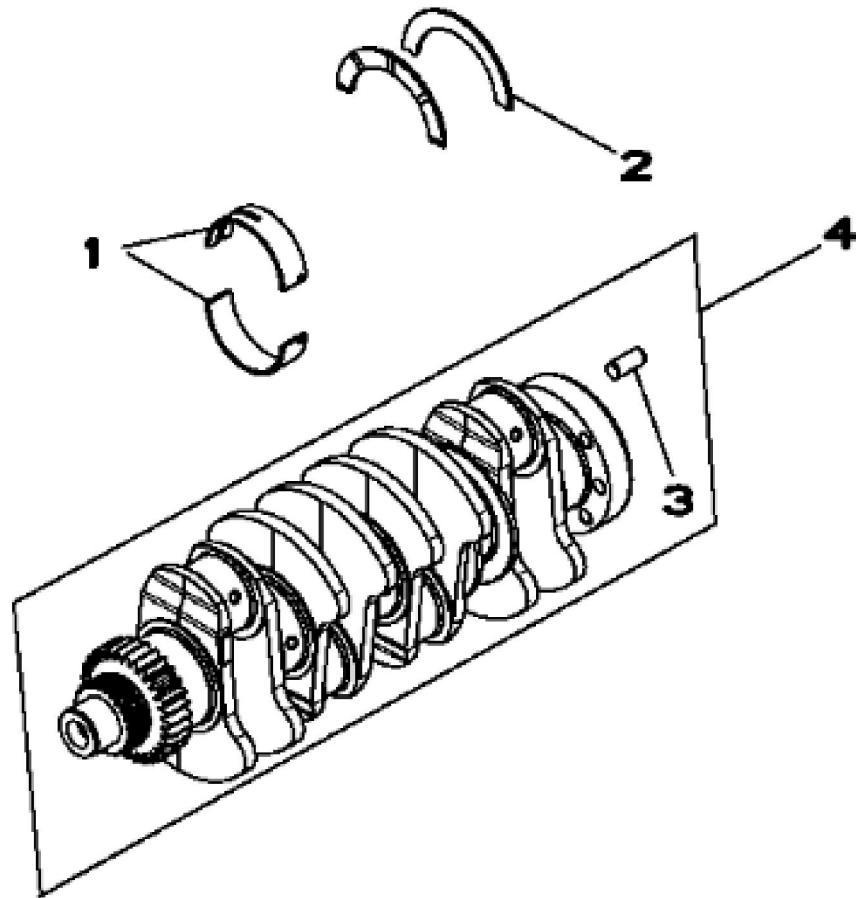
Hello dear friend!

Thank you very much for reading.

Enter the link into your browser.

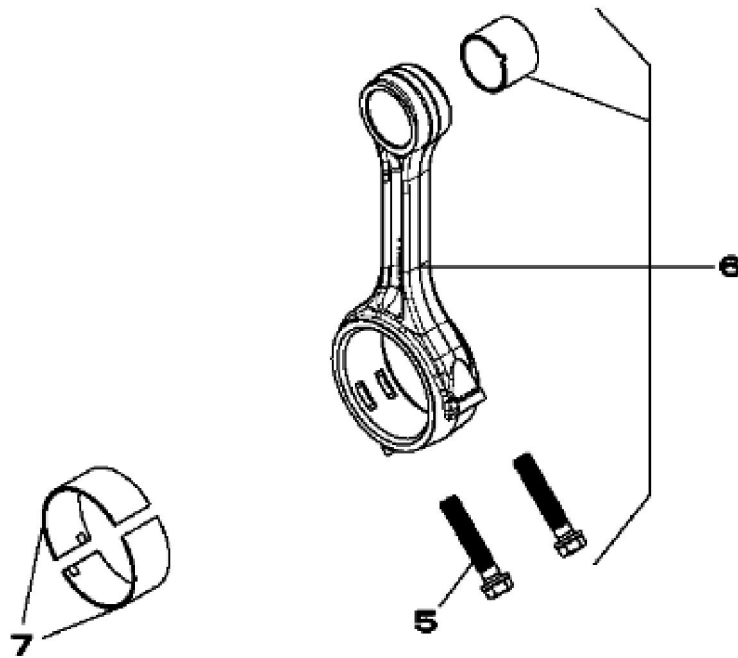
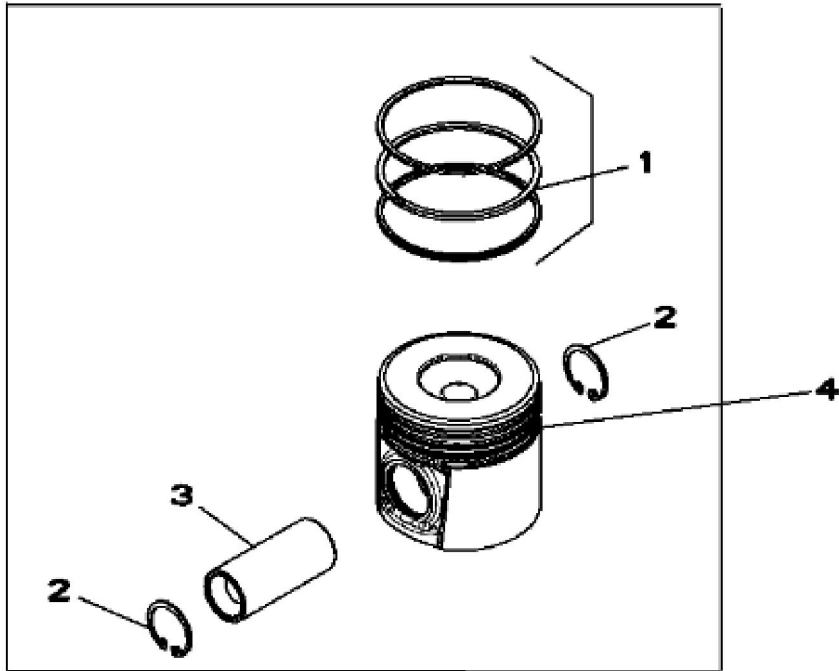
The full manual is available for immediate download.

<https://www.ebooklibonline.com>



RE504881PCDD06

KEY	PART NO.	PART NAME	QTY	REMARKS	
1	BEARING KIT	5	STD (9901)	
2	R502796	THRUST WASHER	2	(1 PC)	
2	KIT	1	(2 PC) (9901)	
3	R48685	DOWEL PIN	1		
4	RE504879	CRANKSHAFT	1		
4	SE501642	CRANKSHAFT REMAN	1	(WITH BEARINGS) (REMAN FOR RE504879)	



RE522989PC0A03



Suggest:

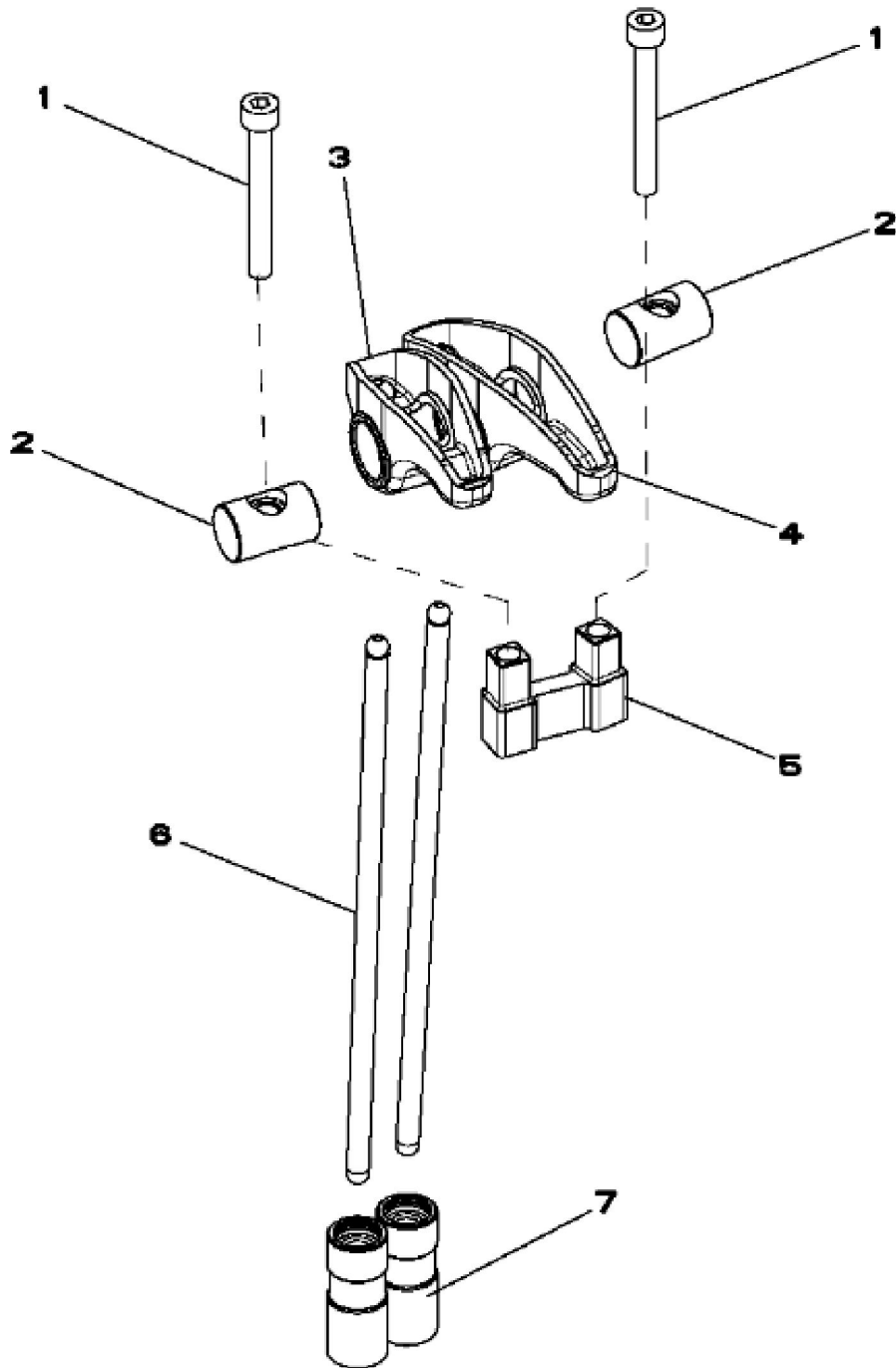
For more complete manuals. Please go to the home page.

<https://www.ebooklibonline.com>

If the above button click is invalid. Please download this document first, and then click the above link to download the complete manual.

Thank you so much for reading

KEY	PART NO.	PART NAME	QTY	REMARKS	
1	RE520935	PISTON RING KIT	4	STD	
2	40M1855	SNAP RING	8		
3	R503480	PISTON PIN	4	OD 30MM	
4	RE522308	PISTON REPLACEMENT KIT	4	(MARKED RE522094)STD	
5	R502503	SCREW	8	M10 X 49	
6	RE504544	CONNECTING ROD	4		
6	SE501898	CONNECTING ROD REMAN	1	(REMAN FOR RE504544)	
7	RE520937	BEARING KIT	4	STD (9901)	



RE51881 | PCDF01

<https://www.ebooklibonline.com>

Hello dear friend!

Thank you very much for reading.

Enter the link into your browser.

The full manual is available for immediate download.

<https://www.ebooklibonline.com>