

John Deere > Turf And Utility > LOADER, SKID-STEER > 312GR - LOADER, SKID-STEER > 312GR Skid Steer Loader (PIN: 1T0312G___G298752-) > 04 ENGINE AT436482 > 0432 FINISH ASSEMBLY, ENGINE > ST856428 - CYLINDER BLOCK

KEY	PART NO.	PART NAME	QTY	REMARKS
1	MIA881735	CYLINDER BLOCK	1	
4	CH10314	PLUG	1	
5	M809565	DRAIN PLUG	1	
6	CH10335	PLUG	2	
7	CH10335	PLUG	1	
8	CH18379	PLUG	1	
9	M801189	BOLT	10	
12	MIU800573	CAMSHAFT	1	
13	M87801	PLUG	2	
15	M802255	PIN	2	
16	M802255	PIN	2	
17	M800974	PIPE	2	
21	MIA880555	BEARING	2	
21	MIA882809	BEARING	1	Oversized 0.25
24	MIU800797	SHAFT	1	
25	T110724	CHECK VALVE	4	
31	T110725	NOZZLE	4	
32	CH15575	PIN	4	
33	CH18079	SPRING PIN	2	
34	M89128	BOLT	3	
35	M801186	BOLT	18	
36	MIU800384	GASKET	1	
37	MIA880554	BEARING	5	
37	MIA880550	BEARING	2	Undersized 0.25

<https://www.ebooklibonline.com>

Hello dear friend!

Thank you very much for reading.

Enter the link into your browser.

The full manual is available for immediate download.

<https://www.ebooklibonline.com>

John Deere > Turf And Utility > LOADER, SKID-STEER > 312GR - LOADER, SKID-STEER > 312GR Skid Steer Loader (PIN: 1T0312G___G298752-) > 04 ENGINE AT436482 > 0432 FINISH ASSEMBLY, ENGINE > ST854537 - GEAR HOUSING

KEY	PART NO.	PART NAME	QTY	REMARKS
1	MIA880879	GEAR CASE	1	
3	M811078	SEAL	1	
4	MIU800874	FLANGE	1	
5	MIU800440	STUD	3	
6	M805710	CAP	1	
7	CH18096	COVER	1	
8	M810185	O-RING	2	
9	CH16940	O-RING	1	
10	M806424	WASHER	5	
11	M805711	PACKING	1	
12	CH18390	BOLT	3	
13	CH18390	BOLT	4	
14	CH18386	BOLT	1	
15	CH19090	BOLT	12	
16	CH19136	BOLT	3	
17	M810186	NUT	3	
18	MIU800476	COVER	1	
19	CH13526	PACKING	1	
20	M87868	BOLT	2	



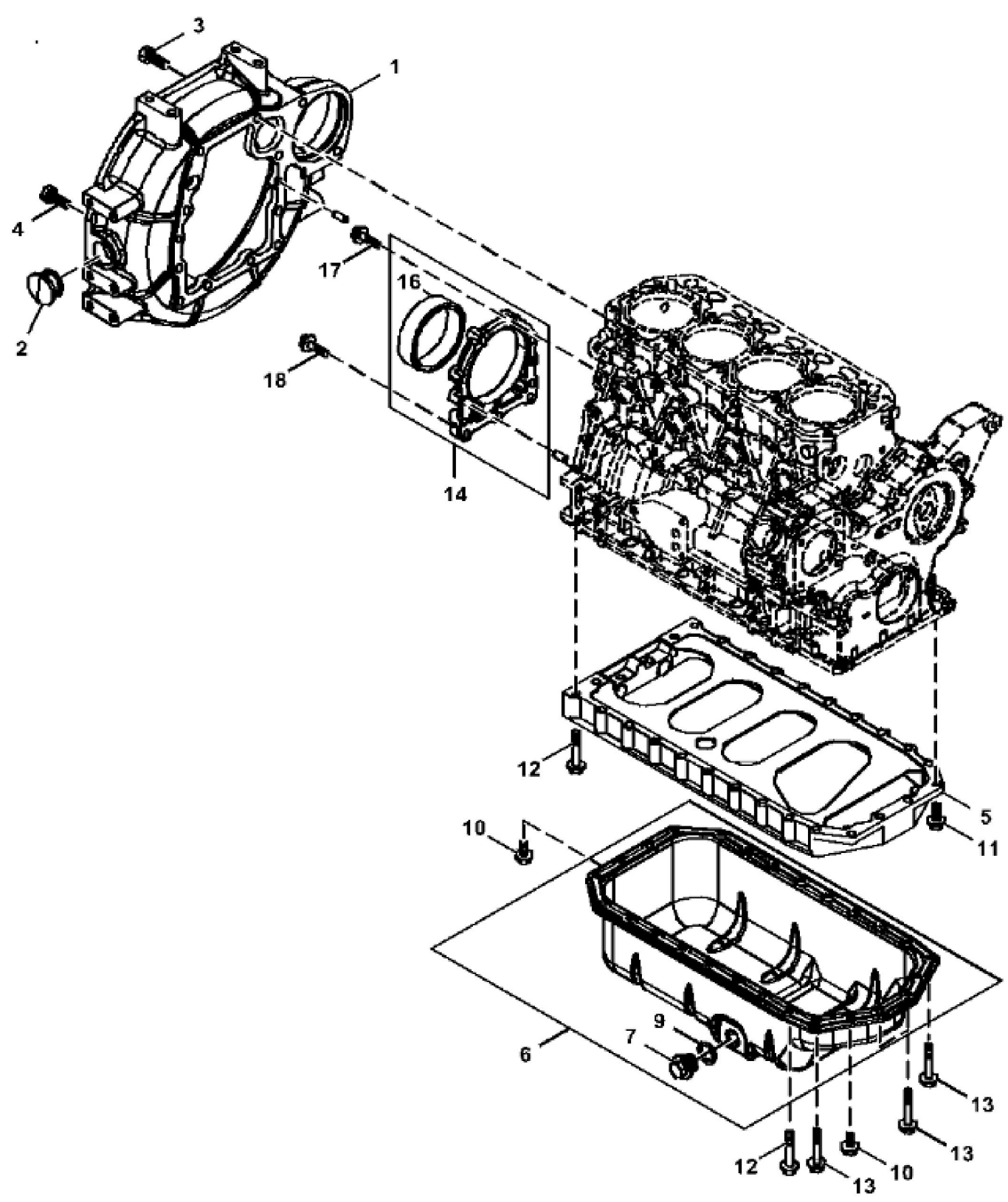
Suggest:

For more complete manuals. Please go to the home page.

<https://www.ebooklibonline.com>

If the above button click is invalid. Please download this document first, and then click the above link to download the complete manual.

Thank you so much for reading



TX1208885

John Deere > Turf And Utility > LOADER, SKID-STEER > 312GR - LOADER, SKID-STEER > 312GR Skid Steer Loader (PIN: 1T0312G___G298752-) > 04 ENGINE AT436482 > 0432 FINISH ASSEMBLY, ENGINE > ST854438 - FLYWHEEL AND OIL SUMP

KEY	PART NO.	PART NAME	QTY	REMARKS
1	M808276	HOUSING	1	
2	M88659	PLUG	1	
3	M800077	BOLT	6	
4	M801201	BOLT	4	
5	M801207	INTERMEDIATE HOUSING	1	
6	MIA884136	OIL PAN	1	
7	M806544	DRAIN PLUG	1	
9	M806545	WASHER	1	
10	19M7865	SCREW	4	M8 X 16
11	CH19085	BOLT	2	
12	CH19101	BOLT	20	
13	19M7800	SCREW	4	M8 X 50
14	MIA881006	CASE	1	
16	MIU800955	SEAL	1	
17	M808308	BOLT	6	
18	CH19090	BOLT	3	SUB FOR M87884

<https://www.ebooklibonline.com>

Hello dear friend!

Thank you very much for reading.

Enter the link into your browser.

The full manual is available for immediate download.

<https://www.ebooklibonline.com>