

4045HL287 >ST349518 - 1160 ROCKER ARM COVER

| KEY | PART NO. | PART NAME | QTY | REMARKS | |
|-----|----------|-------------|-----|---------------------------------|--|
| 1 | RE527858 | SCREW | 2 | | |
| 2 | R522409 | HEAT SHIELD | 1 | | |
| 3 | H23125 | PLUG | 4 | | |
| 4 | R123574 | NUT | 4 | | |
| 5 | R123575 | O-RING | 4 | | |
| 6 | R520896 | VALVE COVER | 1 | (Not Illustrated) ORDER R543879 | |
| 6 | R543879 | VALVE COVER | 1 | MARKED R543880 | |
| 7 | R524468 | GASKET | 1 | | |
| 8 | RE528742 | DEFLECTOR | 1 | | |
| 9 | 19M7862 | SCREW | 1 | M6 X 20 | |

<https://www.ebooklibonline.com>

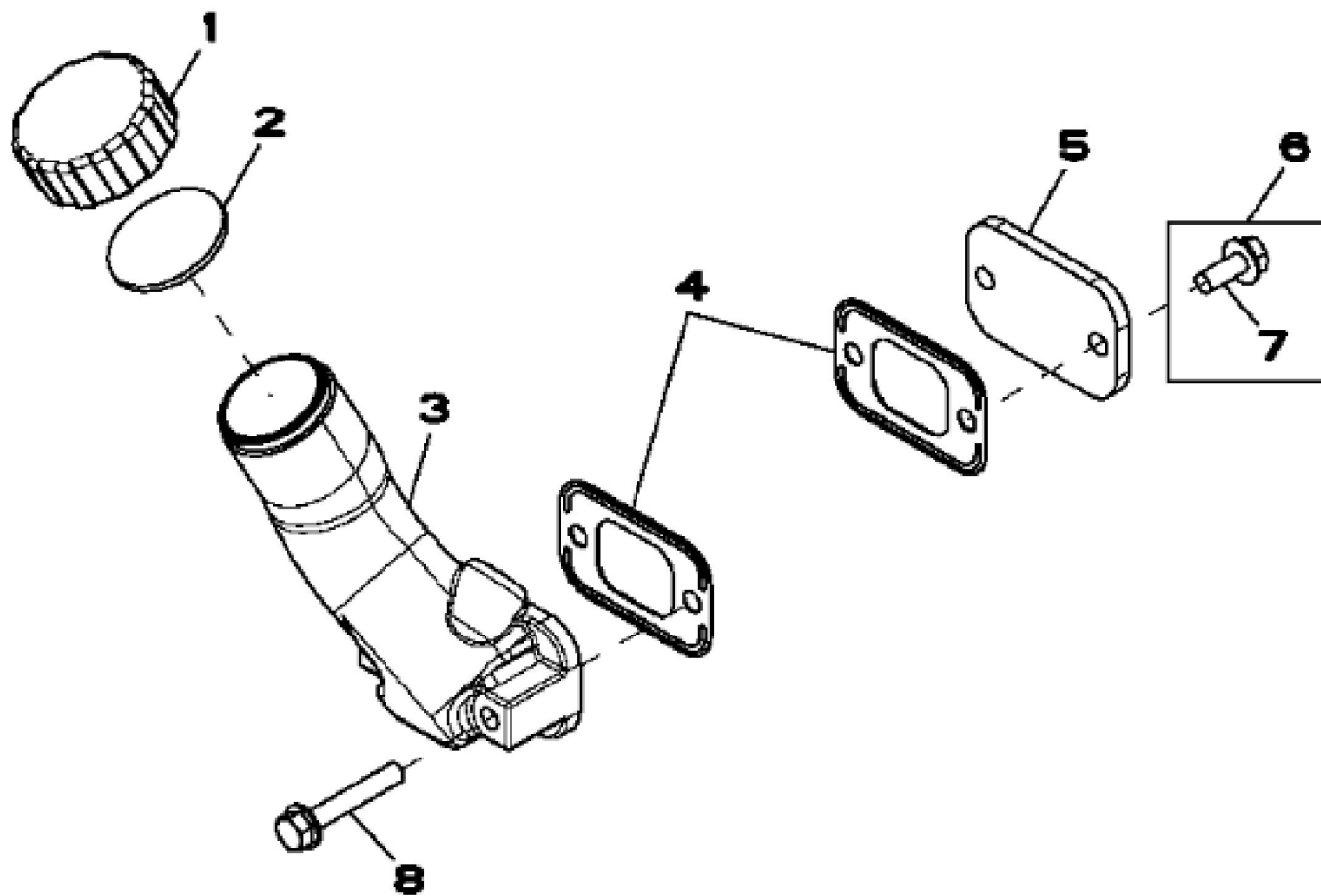
Hello dear friend!

Thank you very much for reading.

Enter the link into your browser.

The full manual is available for immediate download.

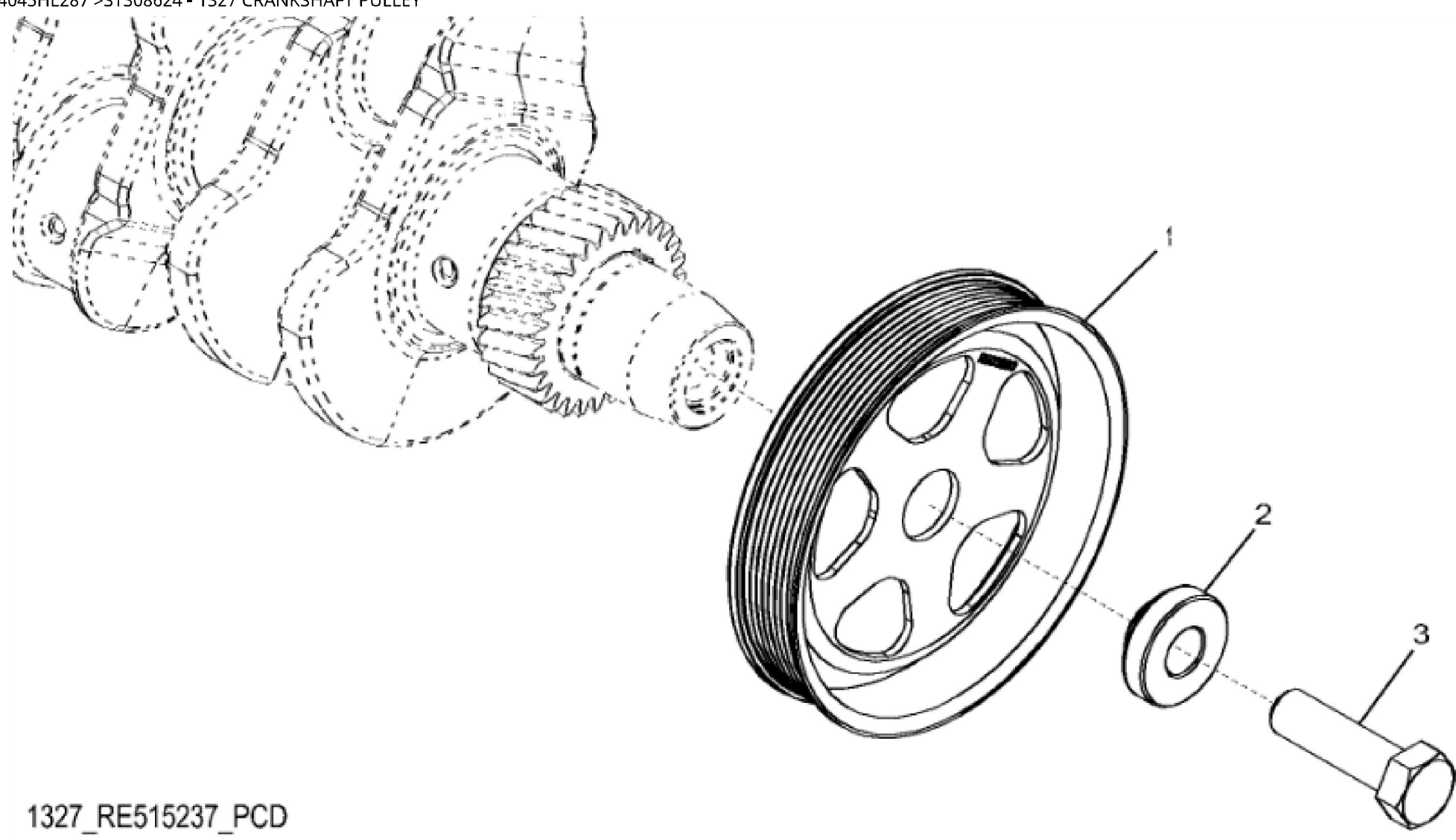
<https://www.ebooklibonline.com>



RE515712PCDD02

4045HL287 >ST21289 - 1229 OIL FILLER NECK

| KEY | PART NO. | PART NAME | QTY | REMARKS | |
|-----|----------|-------------|-----|----------------------------|--|
| 1 | R80136 | FILLER CAP | 1 | | |
| 2 | R80135 | GASKET | 1 | | |
| 3 | R517353 | FILLER NECK | 1 | | |
| 4 | R136495 | GASKET | 2 | | |
| 5 | R116296 | COVER | 1 | | |
| 6 | RE67238 | SCREW | 2 | (WITH PRE-APPLIED SEALANT) | |
| 7 | 19M7866 | SCREW | 1 | M8 X 20 | |
| 8 | 19M7799 | SCREW | 2 | M8 X 45 | |



1327_RE515237_PCD



Suggest:

For more complete manuals. Please go to the home page.

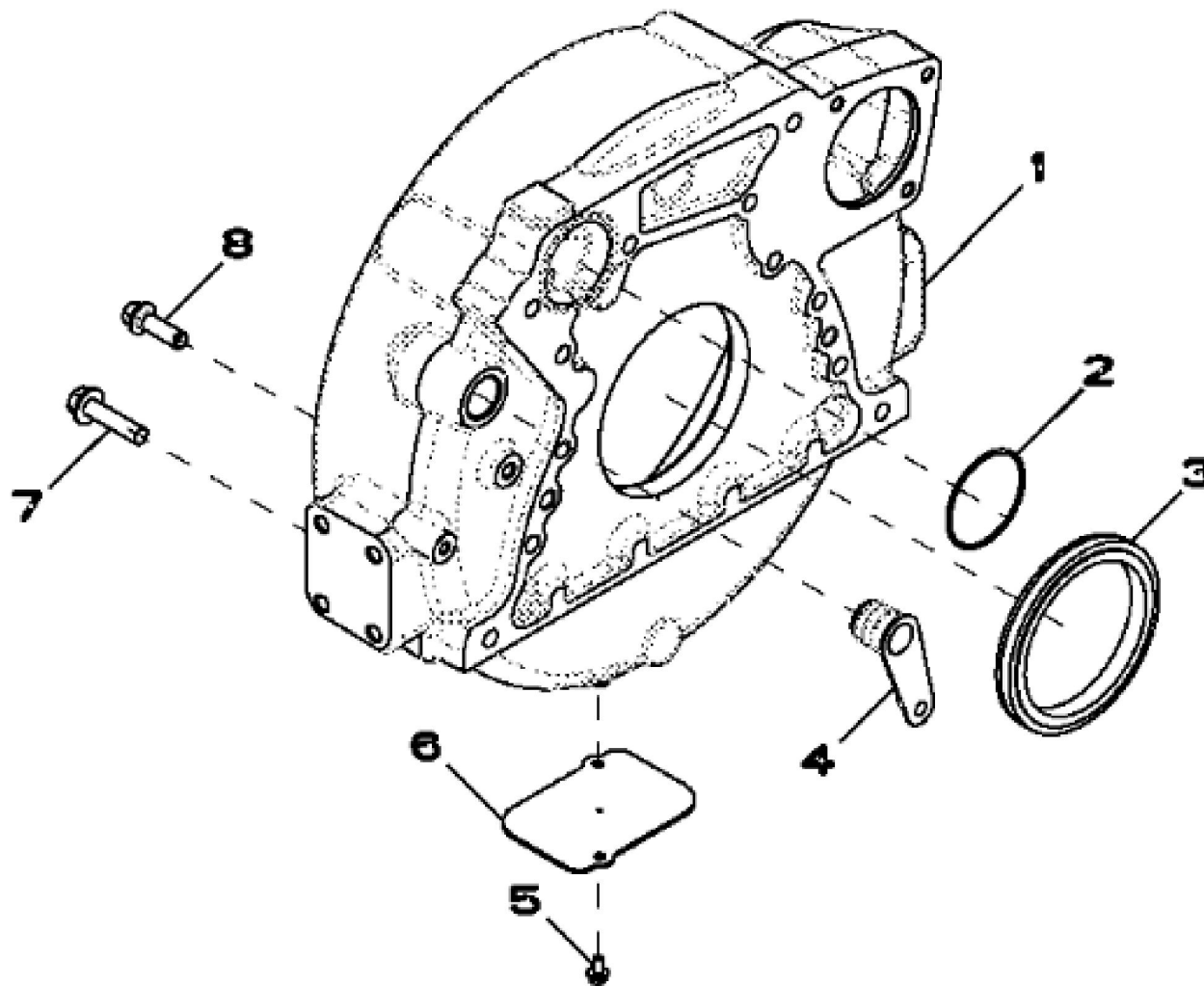
<https://www.ebooklibonline.com>

If the above button click is invalid. Please download this document first, and then click the above link to download the complete manual.

Thank you so much for reading

John Deere > Construction And Forestry >BACKHOE, LOADER >310SJ - BACKHOE, LOADER >310SJ Backhoe Loader >04A ENGINE 4045HL287-SE503032 >0400A ENGINE 4045HL287-SE503032
4045HL287 >ST308624 - 1327 CRANKSHAFT PULLEY

| KEY | PART NO. | PART NAME | QTY | REMARKS | |
|-----|----------|-----------|-----|-------------|--|
| 1 | R503880 | PULLEY | 1 | OD = 188 mm | |
| 2 | R515040 | BUSHING | 1 | OD = 50 mm | |
| 3 | R516648 | CAP SCREW | 1 | M20 X 70 | |



RE502001PCDE02

<https://www.ebooklibonline.com>

Hello dear friend!

Thank you very much for reading.

Enter the link into your browser.

The full manual is available for immediate download.

<https://www.ebooklibonline.com>