

John Deere > Construction And Forestry >BACKHOE, LOADER >310L EP - BACKHOE, LOADER >310L EP Backhoe Loader (Engine 4045HT072)(PIN: 1T0310EL_G273920-) >04 ENGINE 4045HT072-RE545795 >0400 ENGINE 4045HT072-RE545795 4045HT072 >ST349518 - 1160 ROCKER ARM COVER

KEY	PART NO.	PART NAME	QTY	REMARKS
1	RE527858	SCREW	2	
2	R522409	HEAT SHIELD	1	
3	H23125	PLUG	4	
4	R123574	NUT	4	
5	R123575	O-RING	4	
6	R520896	VALVE COVER	1	(Not Illustrated) ORDER R543879
6	R543879	VALVE COVER	1	MARKED R543880
7	R524468	GASKET	1	
8	RE528742	DEFLECTOR	1	
9	19M7862	SCREW	1	M6 X 20

<https://www.ebooklibonline.com>

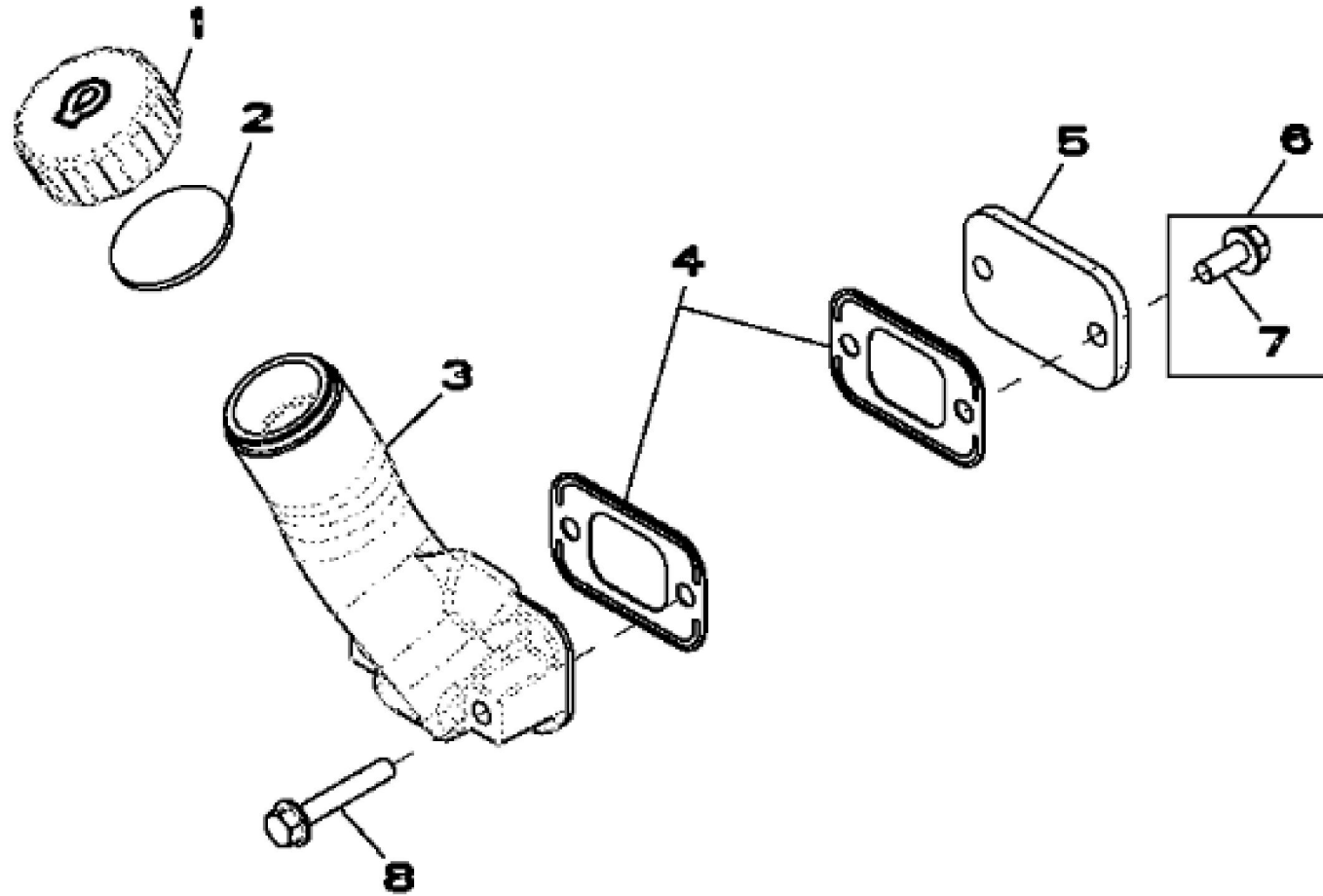
Hello dear friend!

Thank you very much for reading.

Enter the link into your browser.

The full manual is available for immediate download.

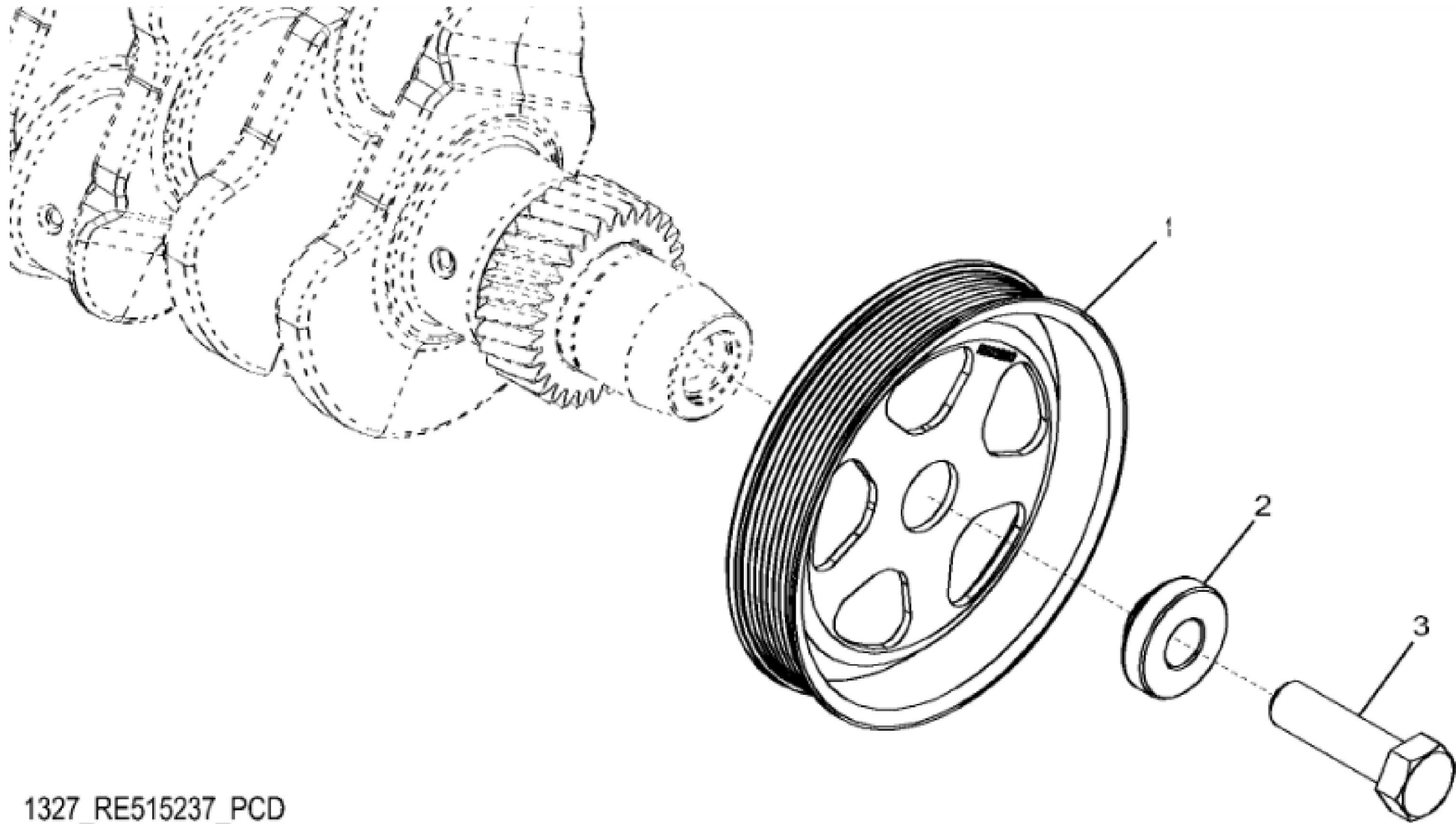
<https://www.ebooklibonline.com>



RE515712PC0002

John Deere > Construction And Forestry >BACKHOE, LOADER >310L EP - BACKHOE, LOADER >310L EP Backhoe Loader (Engine 4045HT072)(PIN: 1T0310EL_G273920-) >04 ENGINE 4045HT072-RE545795 >0400 ENGINE 4045HT072-RE545795 4045HT072 >ST57986 - 1229 OIL FILL INLET

KEY	PART NO.	PART NAME	QTY	REMARKS	
1	R80136	FILLER CAP	1		
2	R80135	GASKET	1		
3	R517353	FILLER NECK	2		
4	R136495	GASKET	1		
5	R116296	COVER	2		
6	RE67238	SCREW	2	(Threads with Pre Applied Sealant)	
7	19M7866	SCREW	2	(Threads without Pre Applied Sealent) M8 X 20	
8	RE67240	SCREW	1		



1327_RE515237_PCD



Suggest:

For more complete manuals. Please go to the home page.

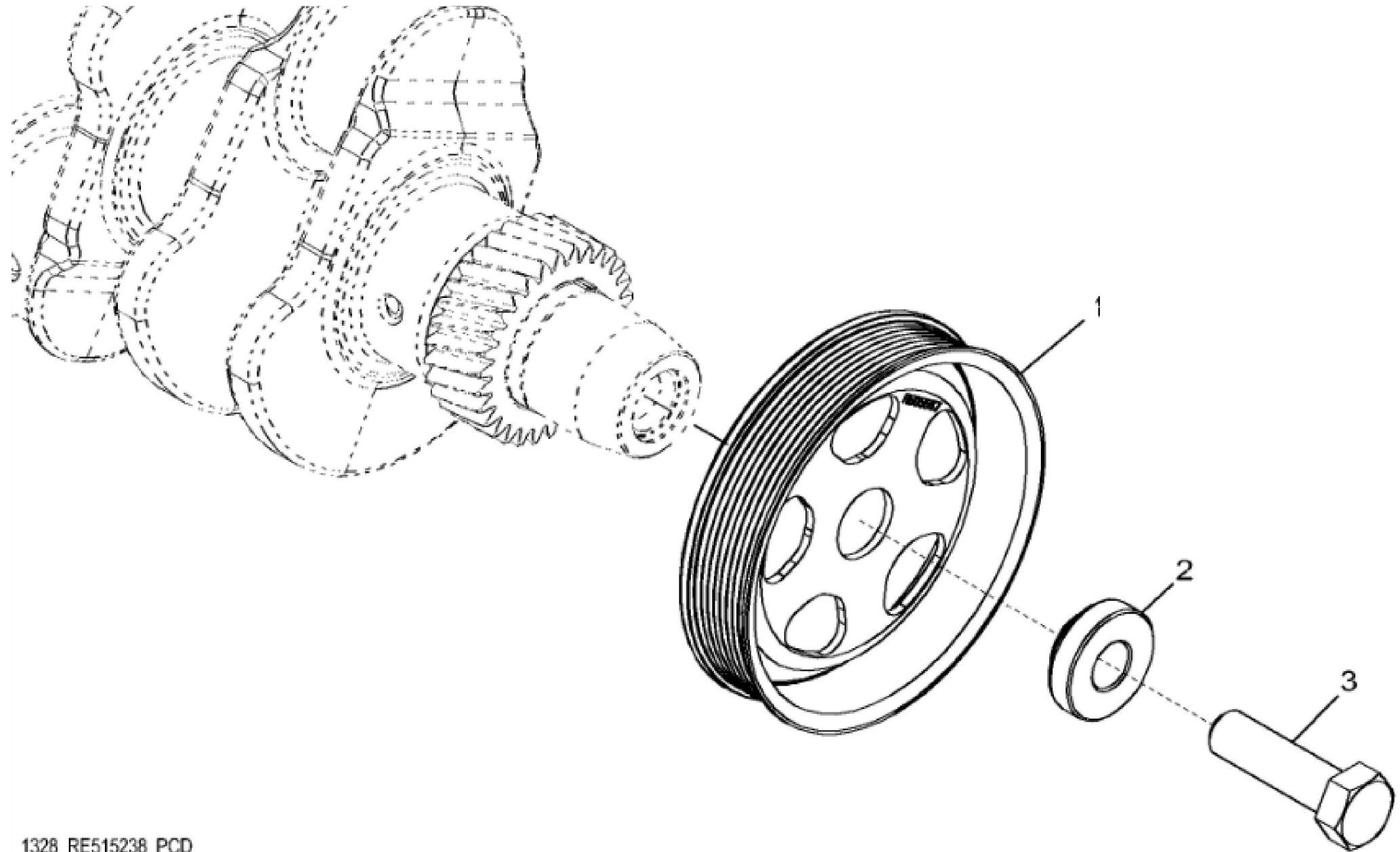
<https://www.ebooklibonline.com>

If the above button click is invalid. Please download this document first, and then click the above link to download the complete manual.

Thank you so much for reading

John Deere > Construction And Forestry >BACKHOE, LOADER >310L EP - BACKHOE, LOADER >310L EP Backhoe Loader (Engine 4045HT072)(PIN: 1T0310EL_G273920-) >04 ENGINE 4045HT072-RE545795 >0400 ENGINE 4045HT072-RE545795 4045HT072 >ST308624 - 1327 CRANKSHAFT PULLEY

KEY	PART NO.	PART NAME	QTY	REMARKS	
1	R503880	PULLEY	1	OD = 188 mm	
2	R515040	BUSHING	1	OD = 50 mm	
3	R516648	CAP SCREW	1	M20 X 70	



1328_RE515238_PCD

<https://www.ebooklibonline.com>

Hello dear friend!

Thank you very much for reading.

Enter the link into your browser.

The full manual is available for immediate download.

<https://www.ebooklibonline.com>