

John Deere > Construction And Forestry >BACKHOE, LOADER >310L - BACKHOE, LOADER >310L Backhoe Loader (Engine 4045HT085, 4045HT086, 4045TT096)(PIN: 1T0310LX__C273920-)(PIN: 1T0310LX__D273920-) >04A ENGINE 4045HT085-RE566007 >0400A ENGINE 4045HT085-RE566007 4045HT085 >ST620182 - 1155 ROCKER ARM COVER

KEY	PART NO.	PART NAME	QTY	REMARKS	
1	H23125	PLUG	5		
2	R521390	SCREW	5	M8 X 12	
3	R123575	O-RING	5		
4	R522167	VALVE COVER	1		
5	R524499	GASKET	1	SUB FOR R505174	
6	R515555	DEFLECTOR	1		
7	19M7775	SCREW	2	M6 X 16	

<https://www.ebooklibonline.com>

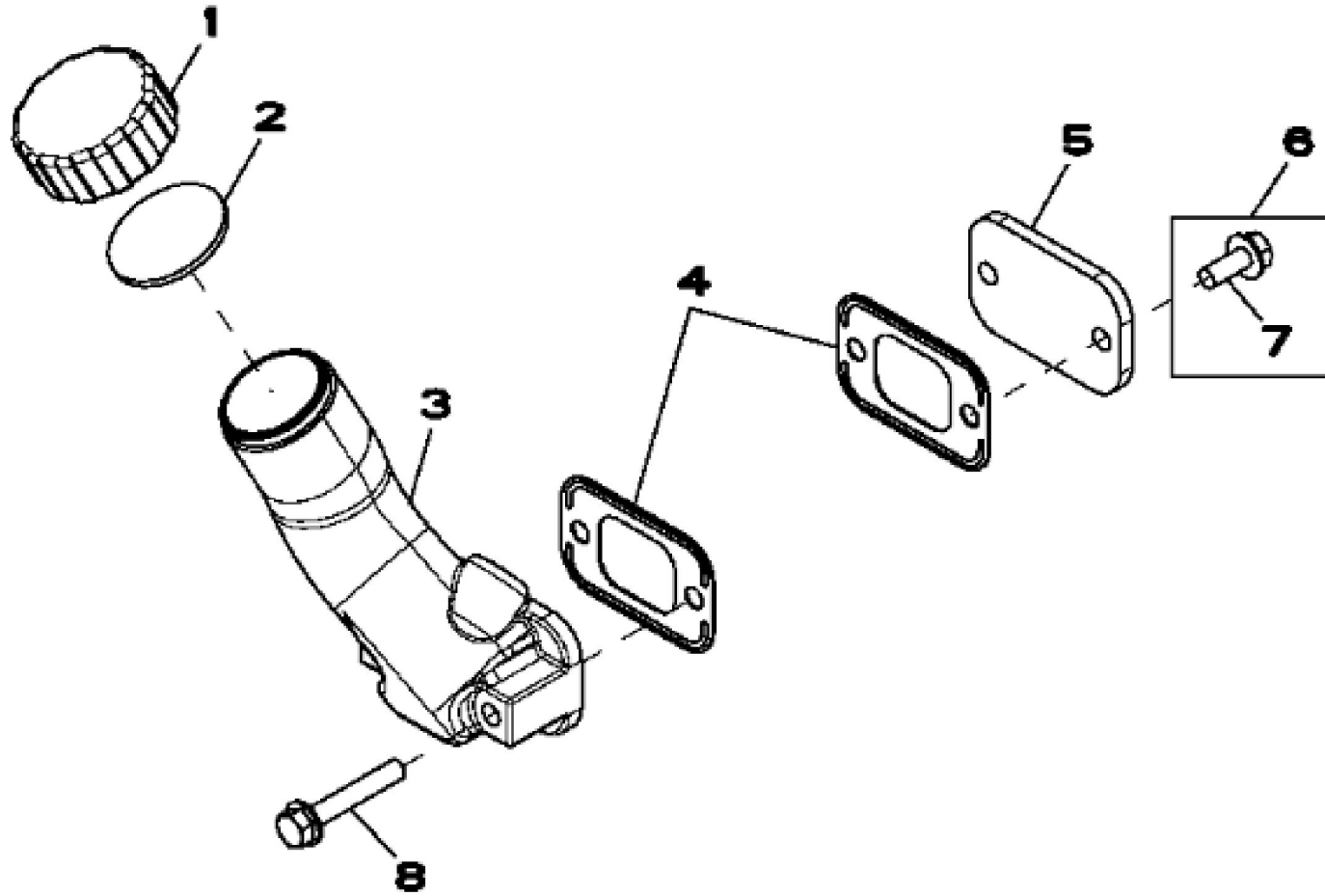
Hello dear friend!

Thank you very much for reading.

Enter the link into your browser.

The full manual is available for immediate download.

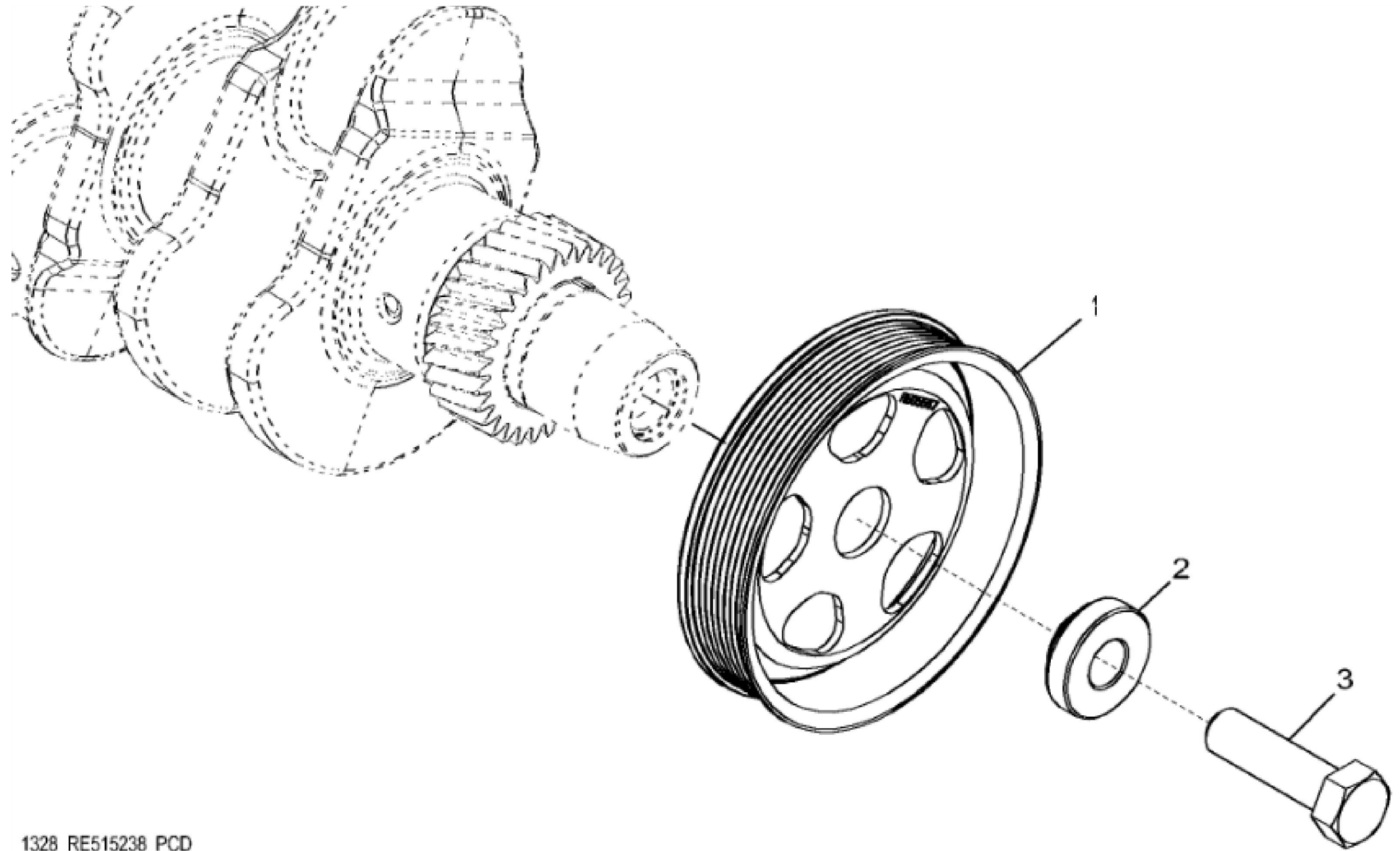
<https://www.ebooklibonline.com>



RE515712PCDD02

John Deere > Construction And Forestry >BACKHOE, LOADER >310L - BACKHOE, LOADER >310L Backhoe Loader (Engine 4045HT085, 4045HT086, 4045TT096)(PIN: 1T0310LX_ _C273920-)(PIN: 1T0310LX_ _D273920-) >04A ENGINE 4045HT085-RE566007 >0400A ENGINE 4045HT085-RE566007 4045HT085 >ST2266 - 1229 OIL FILLER NECK

KEY	PART NO.	PART NAME	QTY	REMARKS	
1	R80136	FILLER CAP	1		
2	R80135	GASKET	1		
3	R517353	FILLER NECK	1	(SUB FOR R123558)	
4	R136495	GASKET	2		
5	R116296	COVER	1		
6	RE67238	SCREW	2	W PREAPPLIED SEALANT	
7	19M7866	SCREW	1	M8 X 20	
8	RE67240	SCREW	2	(USE WITH R123558)	
8	19M7799	SCREW	2	M8 X 45, (USE WITH R517353)	



1328_RE515238_PCD



Suggest:

For more complete manuals. Please go to the home page.

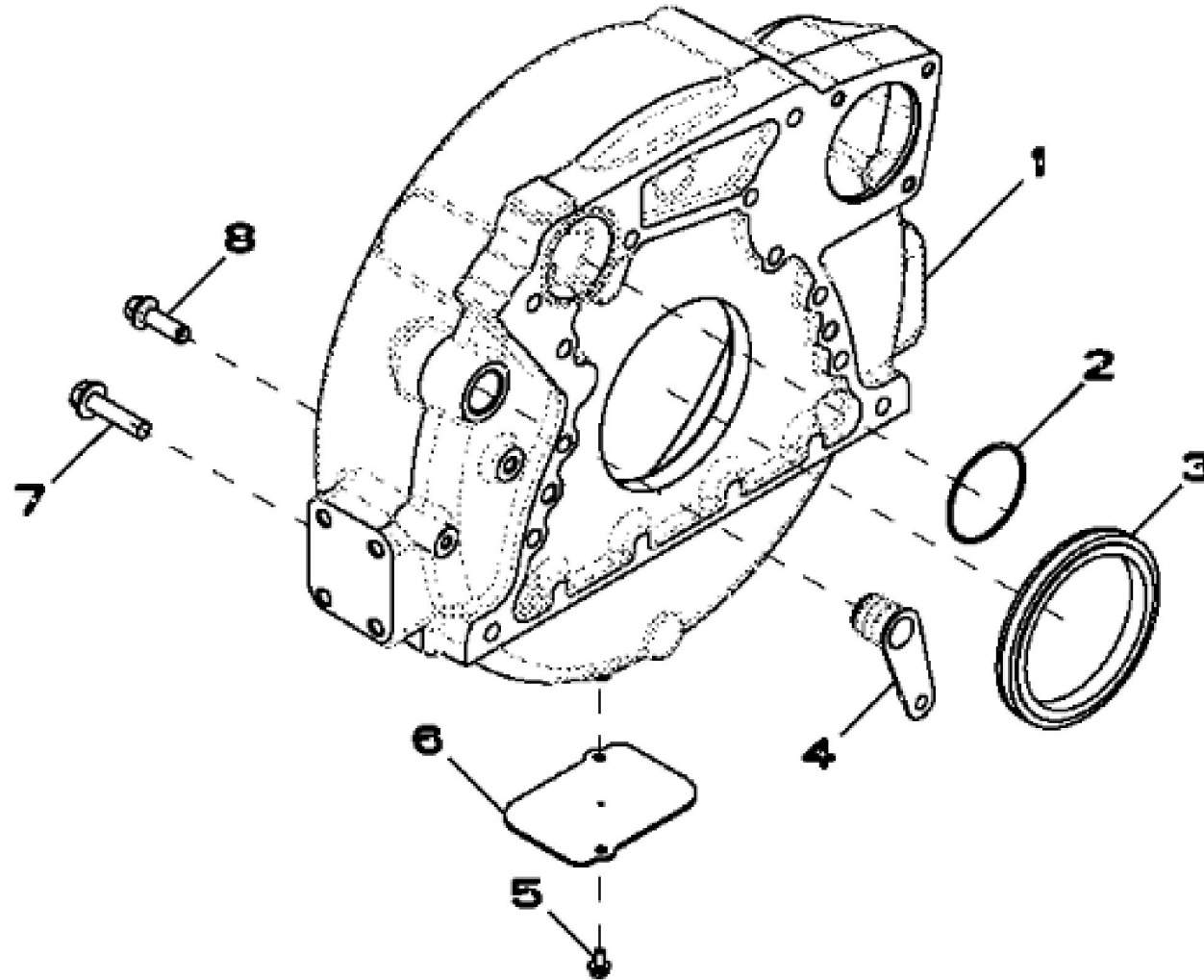
<https://www.ebooklibonline.com>

If the above button click is invalid. Please download this document first, and then click the above link to download the complete manual.

Thank you so much for reading

John Deere > Construction And Forestry >BACKHOE, LOADER >310L - BACKHOE, LOADER >310L Backhoe Loader (Engine 4045HT085, 4045HT086, 4045TT096)(PIN: 1T0310LX__C273920-)(PIN: 1T0310LX__D273920-) >04A ENGINE 4045HT085-RE566007 >0400A ENGINE 4045HT085-RE566007 4045HT085 >ST628039 - 1328 CRANKSHAFT PULLEY

KEY	PART NO.	PART NAME	QTY	REMARKS	
1	R505567	PULLEY	1	OD = 173 mm	
2	R515040	BUSHING	1	OD = 50 mm	
3	R516648	CAP SCREW	1	(One Time Usage) M20 X 70	



RE502001PCDE02

<https://www.ebooklibonline.com>

Hello dear friend!

Thank you very much for reading.

Enter the link into your browser.

The full manual is available for immediate download.

<https://www.ebooklibonline.com>