

| KEY | PART NO. | PART NAME | QTY | REMARKS | |
|-----|----------|-------------|-----|----------------------------------|--|
| 1 | R524499 | GASKET | 1 | | |
| 2 | 19M7775 | SCREW | 2 | M6 X 16 | |
| 3 | R515555 | DEFLECTOR | 1 | | |
| 4 | R543296 | HOSE | 1 | | |
| 5 | TY22462 | CLAMP | 1 | | |
| 6 | RE561710 | VALVE COVER | 1 | MARKED R540192 | |
| 7 | RE542918 | VALVE | 1 | USE WITH RE561710 | |
| 8 | R123575 | O-RING | 5 | | |
| 9 | R521390 | SCREW | 5 | | |
| 10 | H23125 | PLUG | 5 | | |
| 11 | R529614 | VALVE COVER | 1 | ORDER RE561710 | |
| 12 | R532038 | VALVE | 1 | ORDER RE542918; USE WITH R529614 | |

<https://www.ebooklibonline.com>

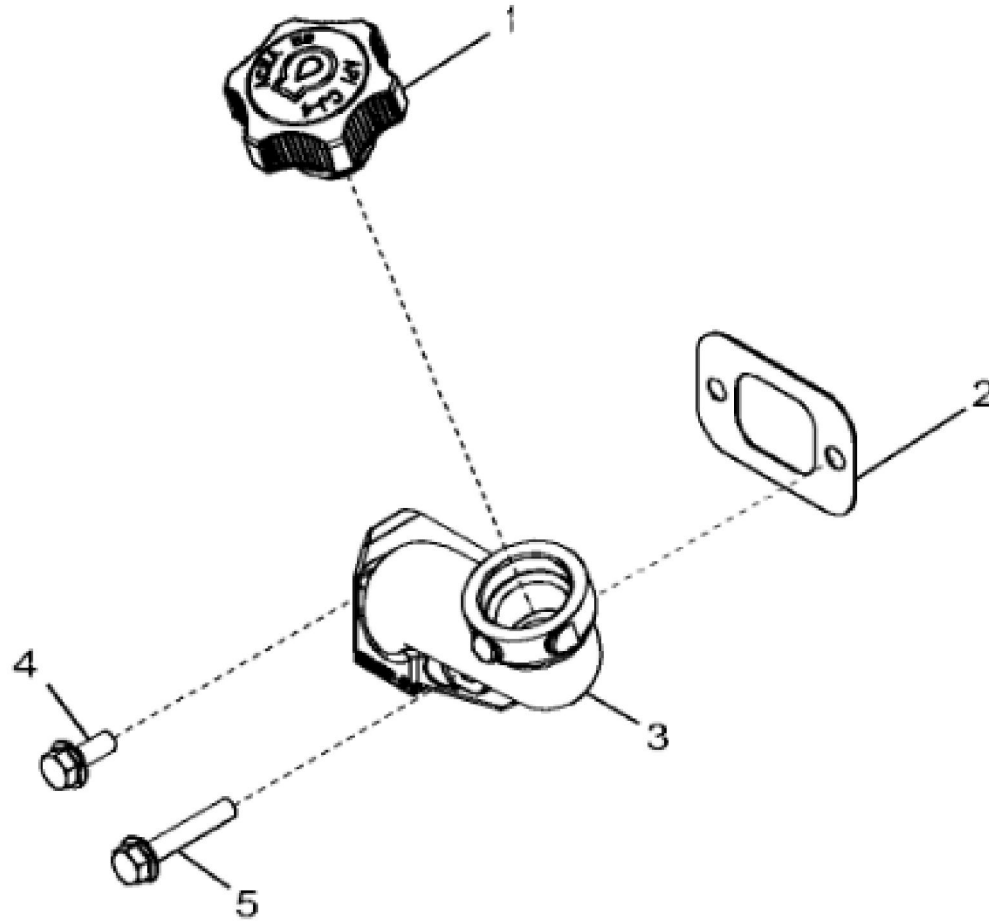
Hello dear friend!

Thank you very much for reading.

Enter the link into your browser.

The full manual is available for immediate download.

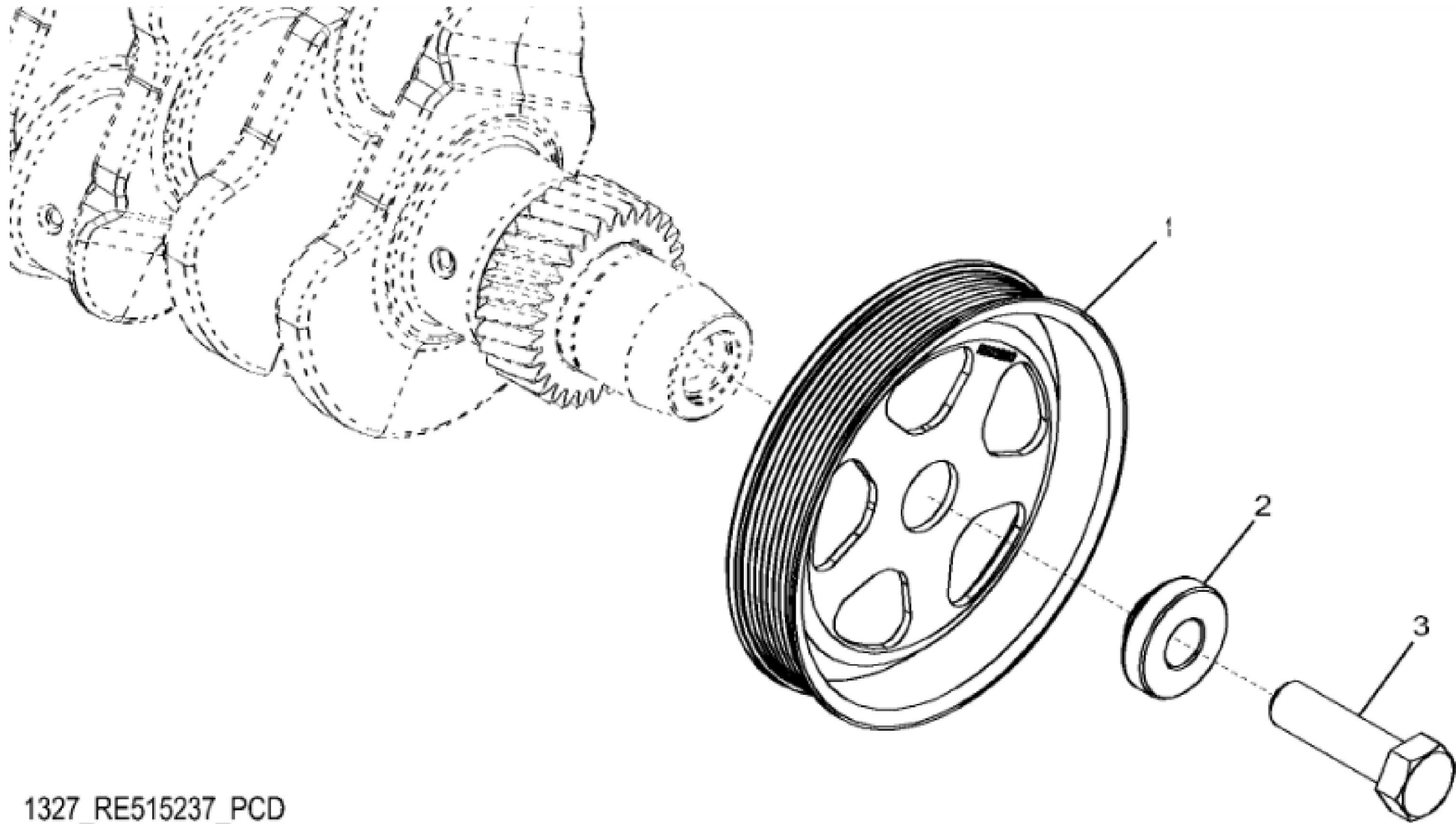
<https://www.ebooklibonline.com>



1251_RE548009_PCD

John Deere > Construction And Forestry >BACKHOE, LOADER >310L - BACKHOE, LOADER >310L Backhoe Loader (Engine 4045HT082,4045HT096)(PIN: 1T0310LX_ F273920-) >04A ENGINE
4045HT096-DZ104580 >0400A ENGINE 4045HT096-DZ104580 4045HT096 >ST569457 - 1251 OIL FILLER NECK

| KEY | PART NO. | PART NAME | QTY | REMARKS | |
|-----|----------|-------------|-----|---------|--|
| 1 | RE545569 | FILLER CAP | 1 | | |
| 2 | R136495 | GASKET | 1 | | |
| 3 | R532001 | FILLER NECK | 1 | | |
| 4 | RE67238 | SCREW | 1 | | |
| 5 | RE67239 | SCREW | 1 | | |



1327_RE515237_PCD



Suggest:

For more complete manuals. Please go to the home page.

<https://www.ebooklibonline.com>

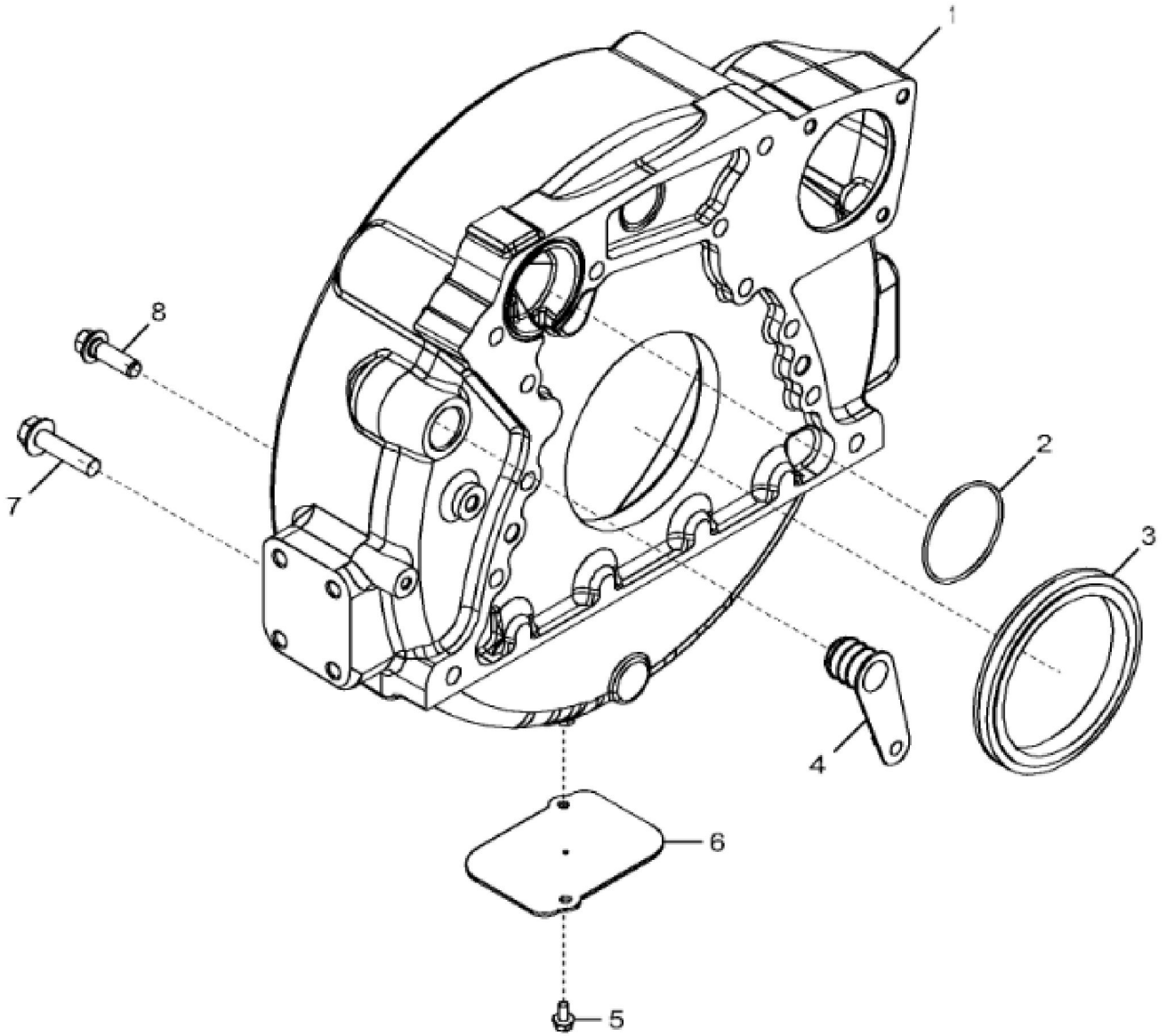
If the above button click is invalid. Please download this document first, and then click the above link to download the complete manual.

Thank you so much for reading

John Deere > Construction And Forestry >BACKHOE, LOADER >310L - BACKHOE, LOADER >310L Backhoe Loader (Engine 4045HT082,4045HT096)(PIN: 1T0310LX_ F273920-) >04A ENGINE

4045HT096-DZ104580 >0400A ENGINE 4045HT096-DZ104580 4045HT096 >ST308624 - 1327 CRANKSHAFT PULLEY

| KEY | PART NO. | PART NAME | QTY | REMARKS | |
|-----|----------|-----------|-----|-------------|--|
| 1 | R503880 | PULLEY | 1 | OD = 188 mm | |
| 2 | R515040 | BUSHING | 1 | OD = 50 mm | |
| 3 | R516648 | CAP SCREW | 1 | M20 X 70 | |



<https://www.ebooklibonline.com>

Hello dear friend!

Thank you very much for reading.

Enter the link into your browser.

The full manual is available for immediate download.

<https://www.ebooklibonline.com>