

1118\_RE506218\_PCD

John Deere > Construction And Forestry >BACKHOE, LOADER >310L - BACKHOE, LOADER >310L Backhoe Loader (Engine 4045HBZ01, 4045TBZ01)(PIN: 1BZ310LA\_\_C000001- )(PIN: 1BZ310LA\_\_D000001- ) >04A ENGINE 4045HBZ01-DZ102402 >0400A ENGINE 4045HBZ01-DZ102402 4045HBZ01 >ST620527 - 1118 VALVE COVER

KEY	PART NO.	PART NAME	QTY	REMARKS	
1	H23125	PLUG	4		
2	R123574	NUT	4		
3	R123575	O-RING	4		
4	RE502969	VALVE COVER	1	MARKED R519779	
5	R524480	GASKET	1		

**<https://www.ebooklibonline.com>**

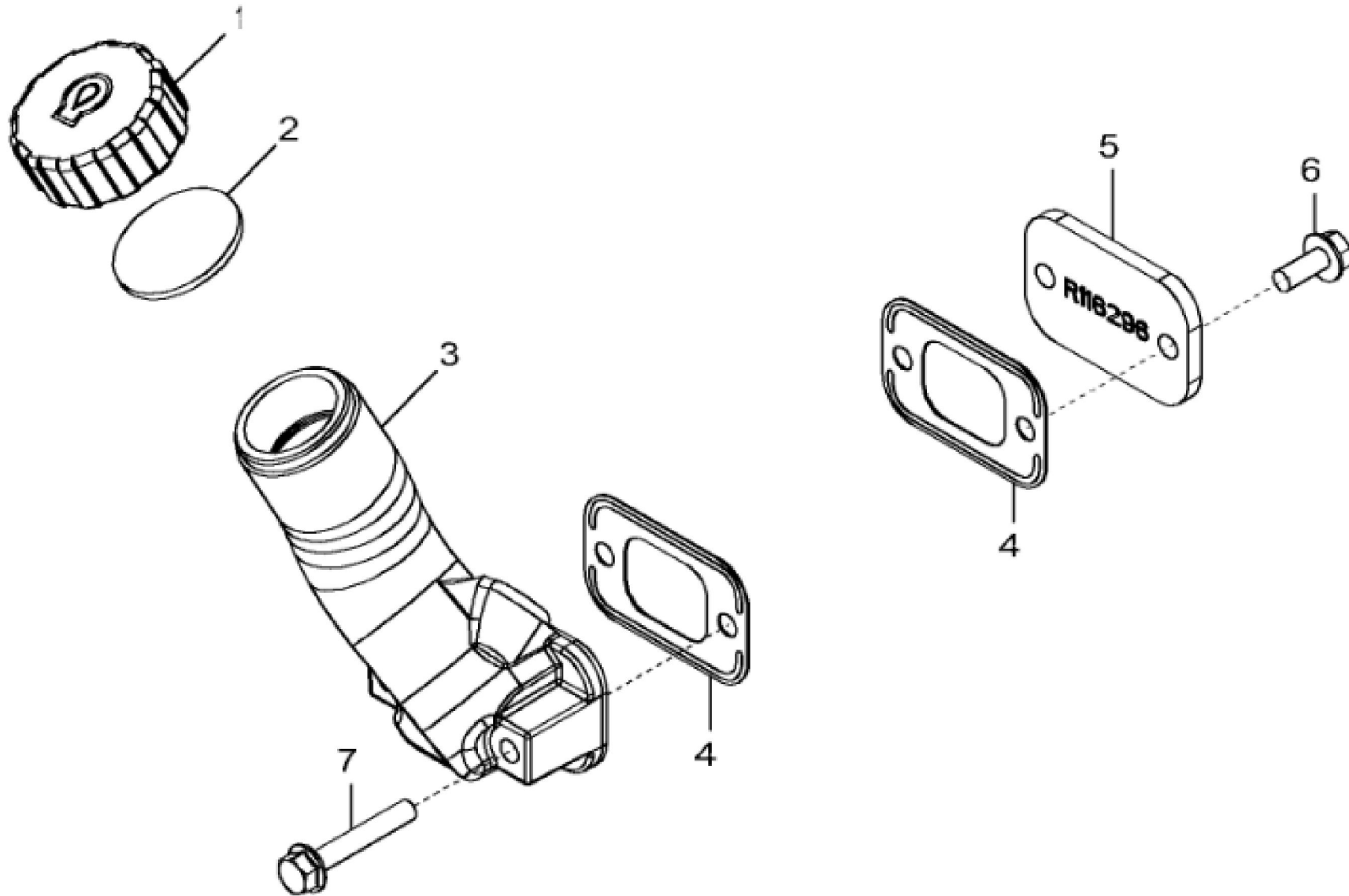
Hello dear friend!

Thank you very much for reading.

Enter the link into your browser.

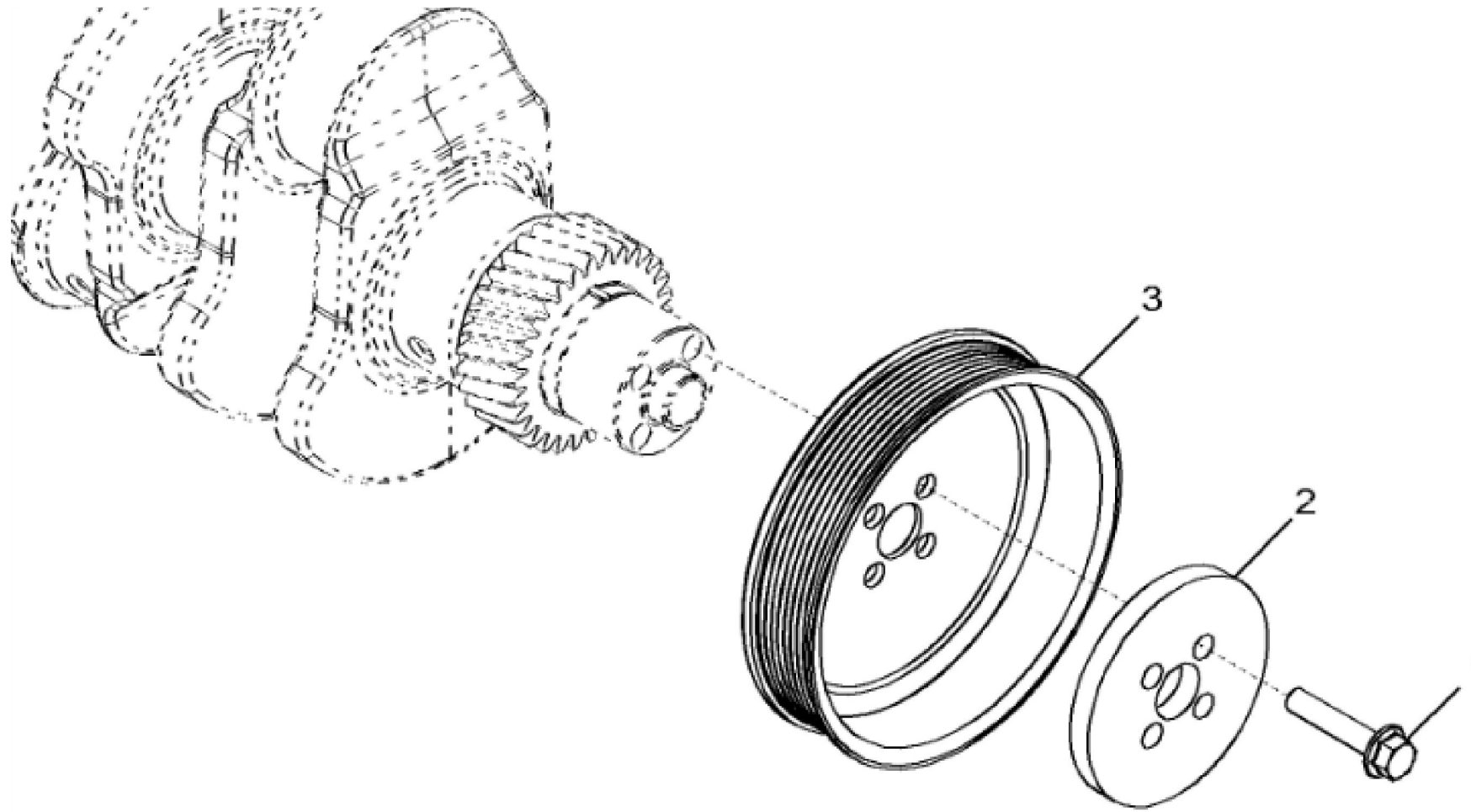
The full manual is available for immediate download.

**<https://www.ebooklibonline.com>**



John Deere > Construction And Forestry >BACKHOE, LOADER >310L - BACKHOE, LOADER >310L Backhoe Loader (Engine 4045HBZ01, 4045TBZ01)(PIN: 1BZ310LA\_\_C000001- )(PIN: 1BZ310LA\_\_D000001- ) >04A ENGINE 4045HBZ01-DZ102402 >0400A ENGINE 4045HBZ01-DZ102402 4045HBZ01 >ST37695 - 1229 OIL FILLER NECK

KEY	PART NO.	PART NAME	QTY	REMARKS	
1	R80136	FILLER CAP	1		
2	R80135	GASKET	1		
3	R123558	FILLER NECK	1		
4	R136495	GASKET	2		
5	R116296	COVER	1	MARKED R116296	
6	RE67238	SCREW	2		
7	RE67240	SCREW	2		





**Suggest:**

**For more complete manuals. Please go to the home page.**

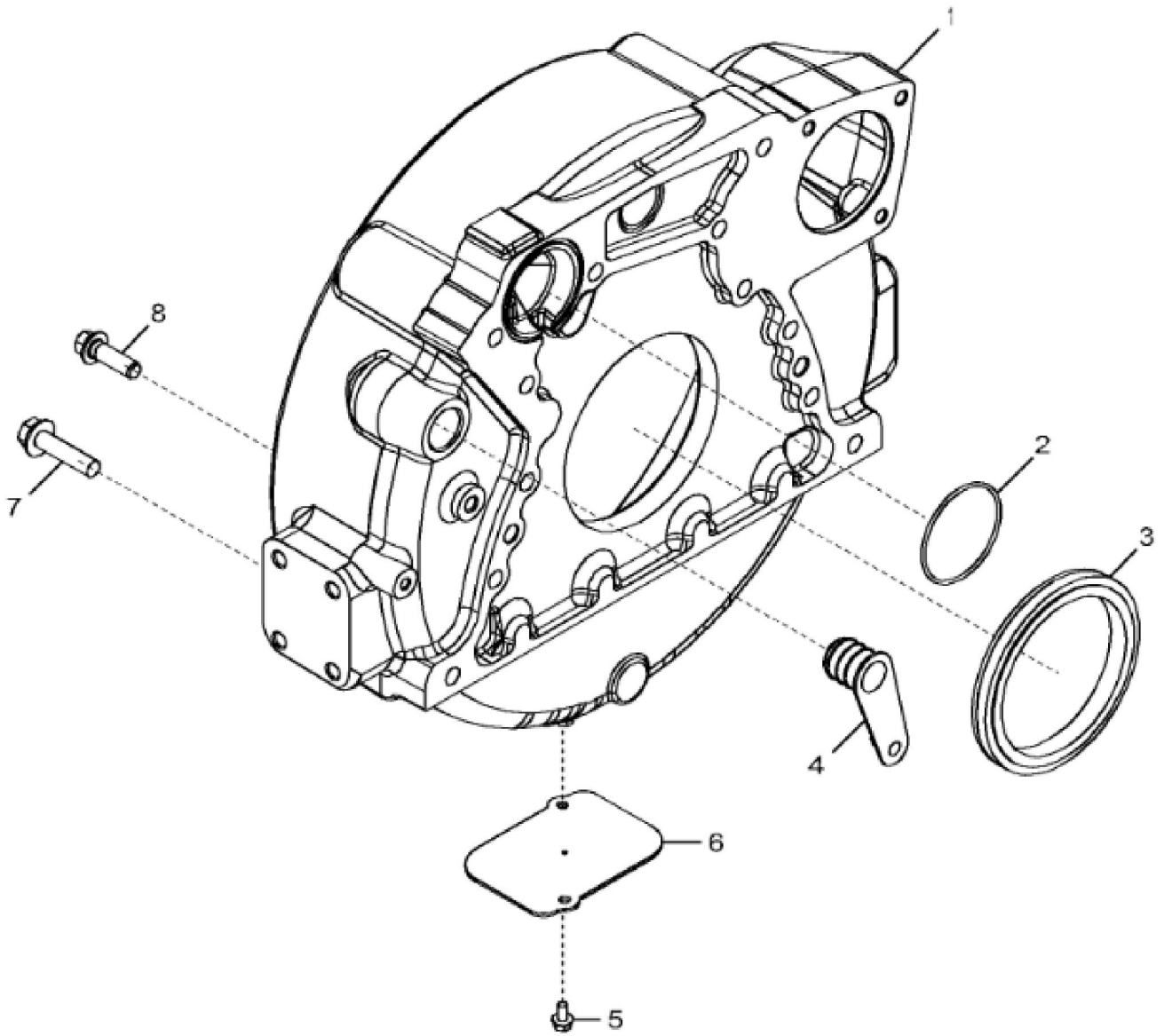
**<https://www.ebooklibonline.com>**

**If the above button click is invalid. Please download this document first, and then click the above link to download the complete manual.**

**Thank you so much for reading**

John Deere > Construction And Forestry >BACKHOE, LOADER >310L - BACKHOE, LOADER >310L Backhoe Loader (Engine 4045HBZ01, 4045TBZ01)(PIN: 1BZ310LA\_\_C000001- )(PIN: 1BZ310LA\_\_D000001- ) >04A ENGINE 4045HBZ01-DZ102402 >0400A ENGINE 4045HBZ01-DZ102402 4045HBZ01 >ST351152 - 1302 CRANKSHAFT PULLEY

KEY	PART NO.	PART NAME	QTY	REMARKS	
1	R121897	BOLT	4		
2	R500649	WASHER	1		
3	R133295	PULLEY	1		



**<https://www.ebooklibonline.com>**

Hello dear friend!

Thank you very much for reading.

Enter the link into your browser.

The full manual is available for immediate download.

**<https://www.ebooklibonline.com>**