

KEY	PART NO.	PART NAME	QTY	REMARKS	
1	RE527858	SCREW	2		
2	R522409	HEAT SHIELD	1		
3	H23125	PLUG	4		
4	R123574	NUT	4		
5	R123575	O-RING	4		
6	R520896	VALVE COVER	1	(Not Illustrated) ORDER R543879	
6	R543879	VALVE COVER	1	MARKED R543880	
7	R524468	GASKET	1		
8	RE528742	DEFLECTOR	1		
9	19M7862	SCREW	1	M6 X 20	

**<https://www.ebooklibonline.com>**

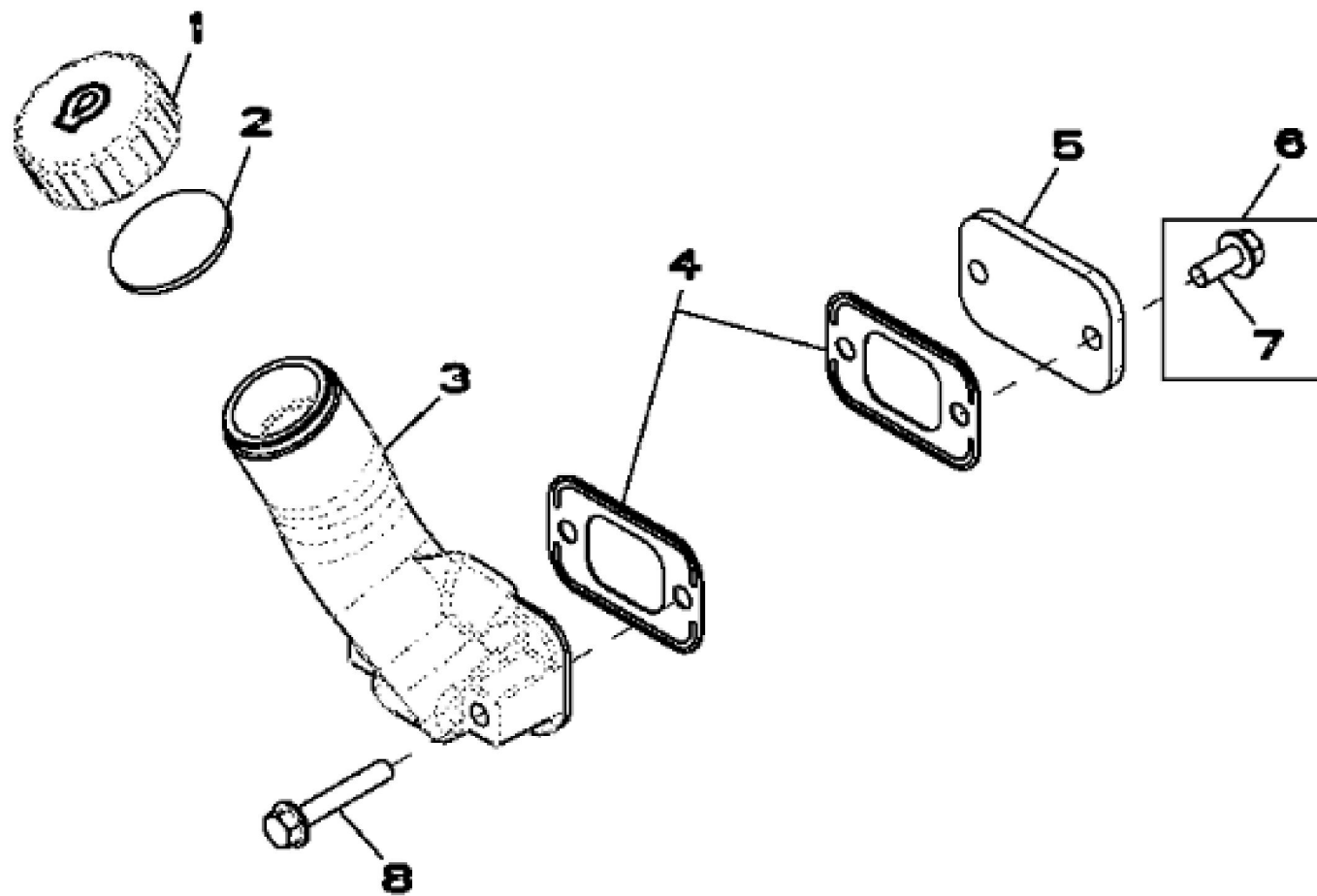
Hello dear friend!

Thank you very much for reading.

Enter the link into your browser.

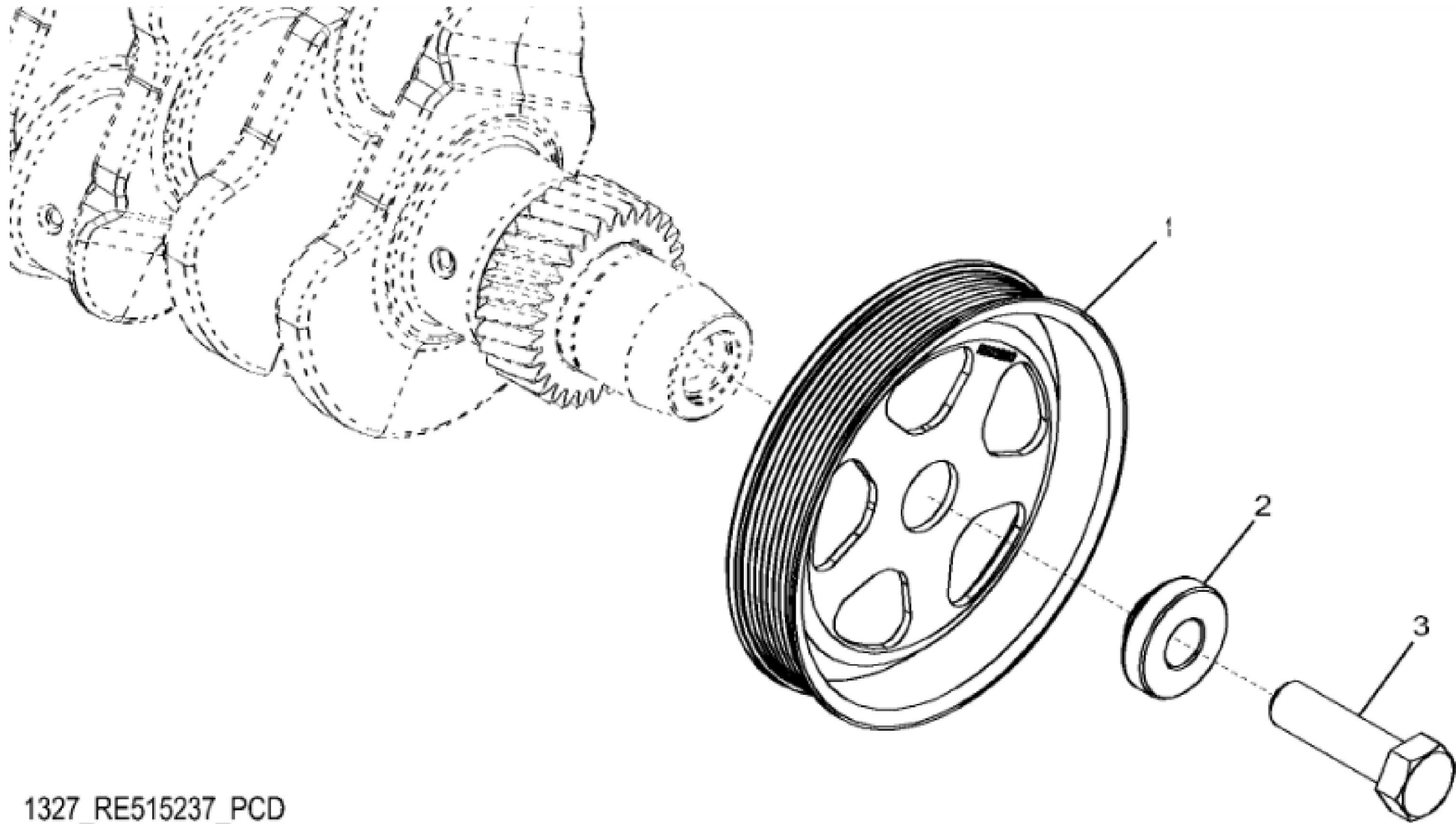
The full manual is available for immediate download.

**<https://www.ebooklibonline.com>**



RE515712PC0002

KEY	PART NO.	PART NAME	QTY	REMARKS	
1	R80136	FILLER CAP	1		
2	R80135	GASKET	1		
3	R517353	FILLER NECK	2		
4	R136495	GASKET	1		
5	R116296	COVER	2		
6	RE67238	SCREW	2	(Threads with Pre Applied Sealant)	
7	19M7866	SCREW	2	(Threads without Pre Applied Sealent) M8 X 20	
8	RE67240	SCREW	1		



1327\_RE515237\_PCD



**Suggest:**

**For more complete manuals. Please go to the home page.**

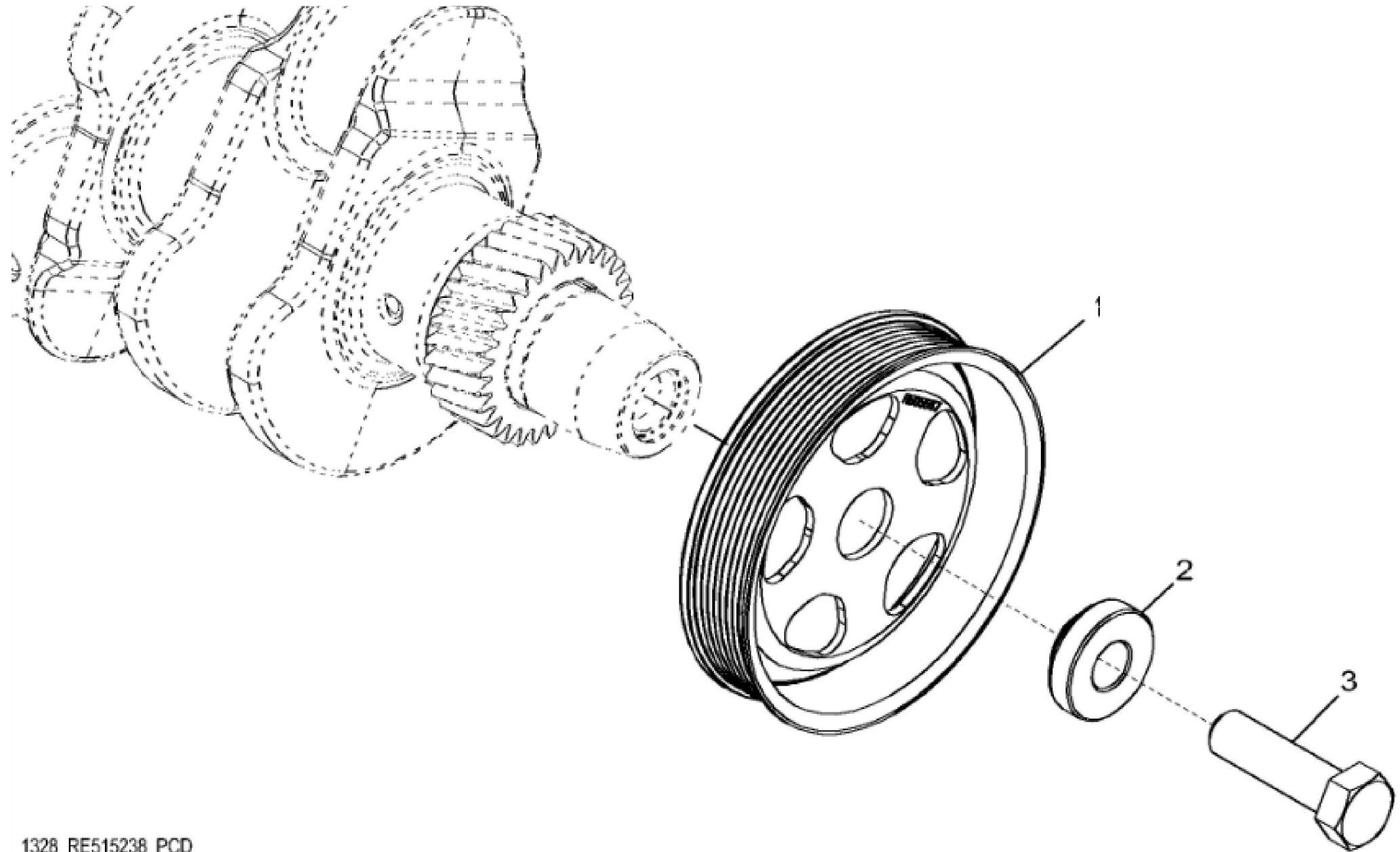
**<https://www.ebooklibonline.com>**

**If the above button click is invalid. Please download this document first, and then click the above link to download the complete manual.**

**Thank you so much for reading**

4045HT072-RE545795 >0400 ENGINE 4045HT072-RE545795 4045HT072 >ST308624 - 1327 CRANKSHAFT PULLEY

KEY	PART NO.	PART NAME	QTY	REMARKS	
1	R503880	PULLEY	1	OD = 188 mm	
2	R515040	BUSHING	1	OD = 50 mm	
3	R516648	CAP SCREW	1	M20 X 70	



1328\_RE515238\_PCD

**<https://www.ebooklibonline.com>**

Hello dear friend!

Thank you very much for reading.

Enter the link into your browser.

The full manual is available for immediate download.

**<https://www.ebooklibonline.com>**