

John Deere > Construction And Forestry >BACKHOE, LOADER >315SE - BACKHOE, LOADER >310E, 310SE and 315SE Backhoe Loaders >04A ENGINE 4045TT056, 4045DT055 >0400A ENGINE 4045TT056, 4045DT055 4045TT056, 4045DT055 >ST294335 - 1103 VALVE COVER

KEY	PART NO.	PART NAME	QTY	REMARKS	
1	R521401	MEDALLION	1	SUB FOR R116324	
2	H23125	PLUG	4		
3	R123574	NUT	4		
4	R123575	O-RING	4		
5	R524480	GASKET	1	SUB FOR R123542	
6	RE502969	VALVE COVER	1	MARKED R519779	
7	RE70401	VALVE COVER	1	MARKED R519777	
8	RE59801	PLUG	1	USE WITH RE70401	
9	U11017	O-RING	1	USE WITH RE70401	

**<https://www.ebooklibonline.com>**

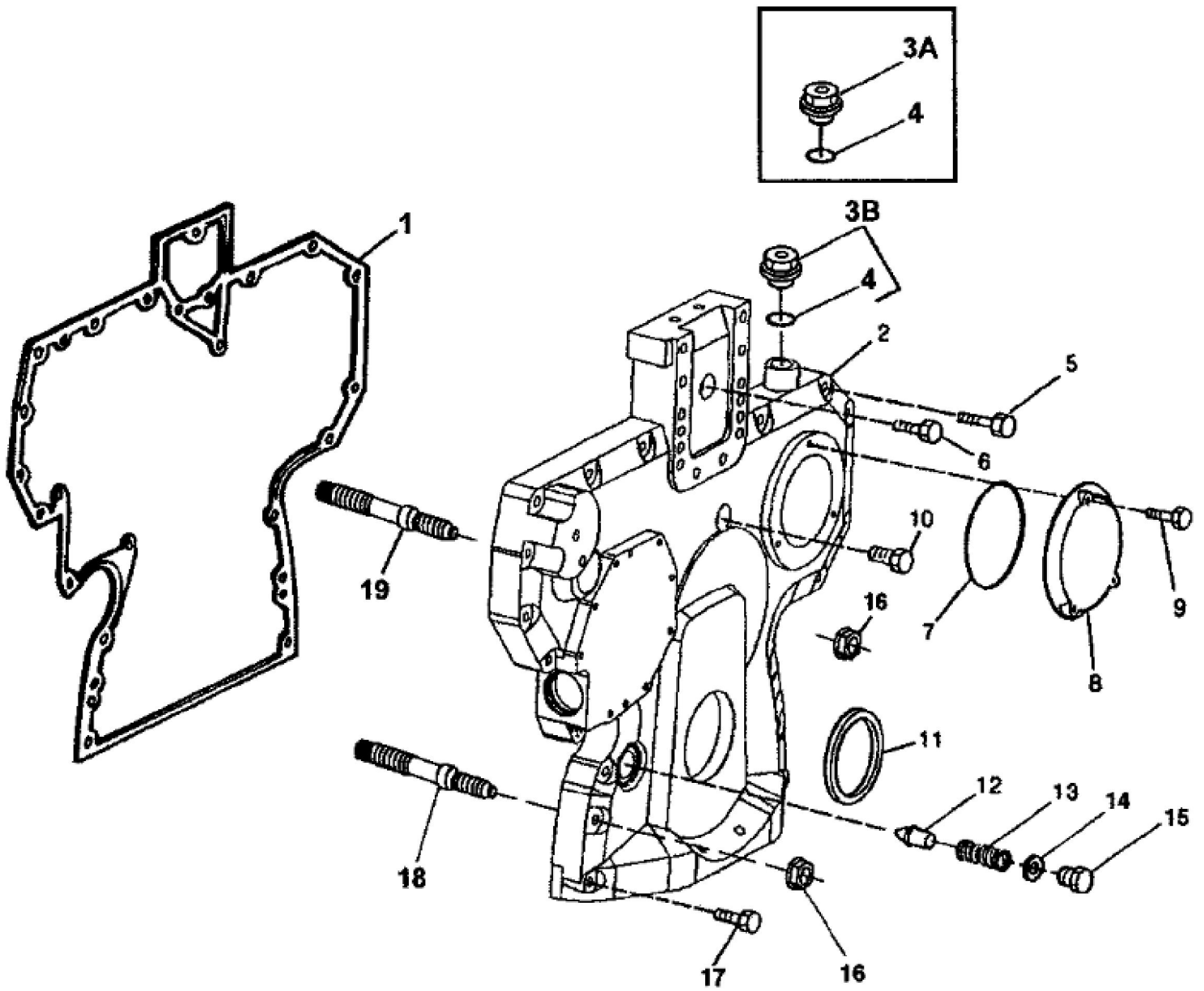
Hello dear friend!

Thank you very much for reading.

Enter the link into your browser.

The full manual is available for immediate download.

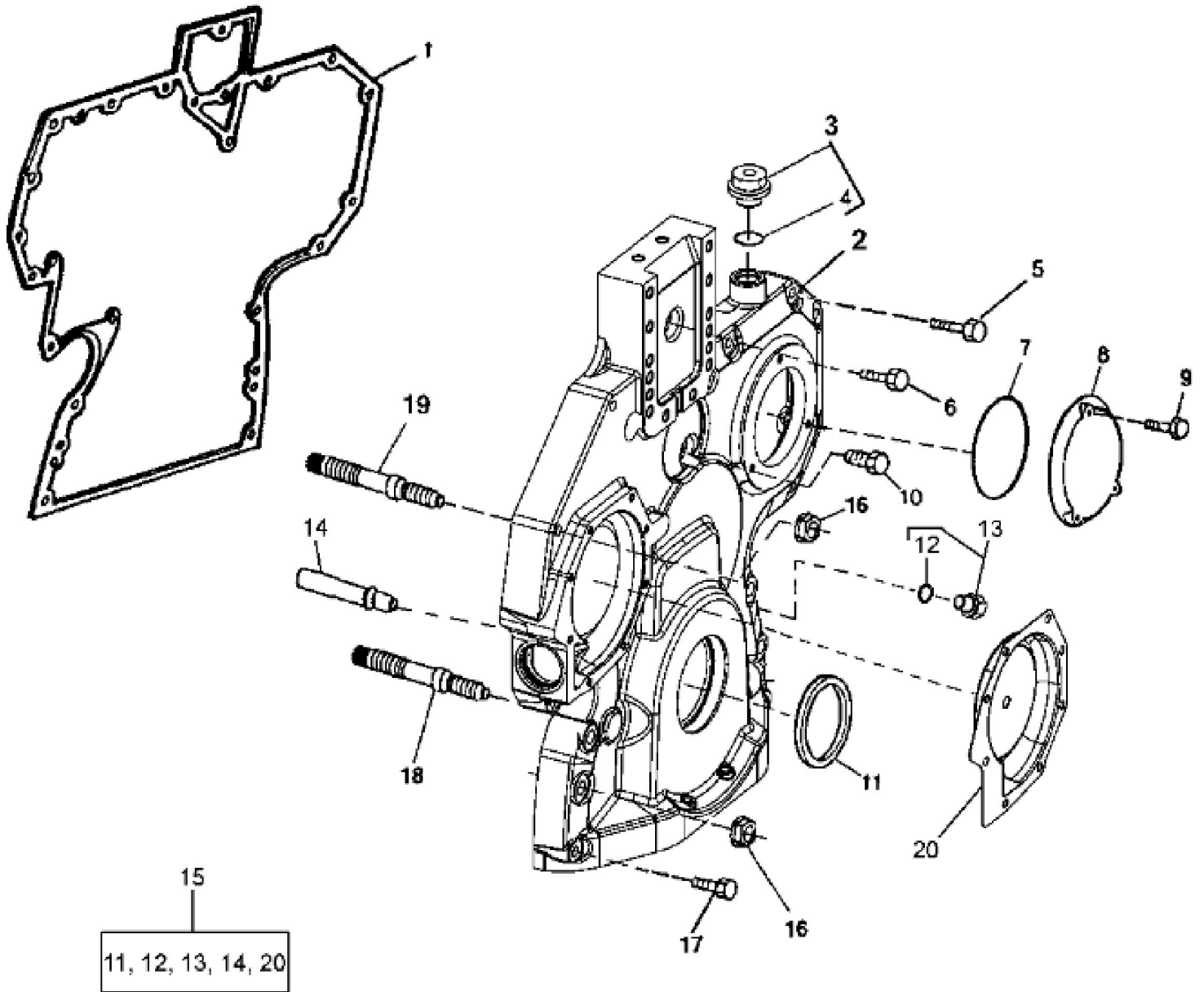
**<https://www.ebooklibonline.com>**



TP62378

John Deere > Construction And Forestry >BACKHOE, LOADER >315SE - BACKHOE, LOADER >310E, 310SE and 315SE Backhoe Loaders >04A ENGINE 4045TT056, 4045DT055 >0400A ENGINE 4045TT056, 4045DT055 4045TT056, 4045DT055 >ST313026 - TIMING GEAR COVER

KEY	PART NO.	PART NAME	QTY	REMARKS
1	R136516	GASKET	1	(SUB FOR R134534)
2	.....	COVER	1	(SUB R520130, R520132 AND RE515978 ) (SUB FOR R134531) (SUB FORR505462) NLA
3A	R101085	DRAIN PLUG	1	(SUB RE501938, THIS APPLICATION)(WITHOUT TACHOMETER SENSOR)
3B	RE517370	FITTING	1	(SUB FOR RE501938)(WITHOUT TACHOMETER SENSOR)
4	51M7044	O-RING	1	17.300 X 2.200 mm
5	19M8317	SCREW	6	M8 X 40
5	19M7801	SCREW	1	M8 X 60
5	19M7867	SCREW	1	M8 X 25
5	RE67239	SCREW	1	
6	19M8291	SCREW	1	M8 X 35
7	R121424	O-RING	1	
8	R121411	COVER	1	
9	19M7775	SCREW	3	M6 X 16
10	19M7801	SCREW	1	M8 X 60
11	RE516340	SEAL	1	(MARKED RE52346 OR RE505515 ) (SUB FOR RE59810)
12	R83169	VALVE	1	
13	R131425	COMPRESSION SPRING	1	
14	A4827R	WASHER	1	
15	R91692	FITTING PLUG	1	OIL PRESSURE REGULATING
16	14M7296	FLANGE NUT	4	M10
17	19M7979	SCREW	2	M8 X 55
18	R123584	STUD	4	
19	R134518	STUD	2	





**Suggest:**

**For more complete manuals. Please go to the home page.**

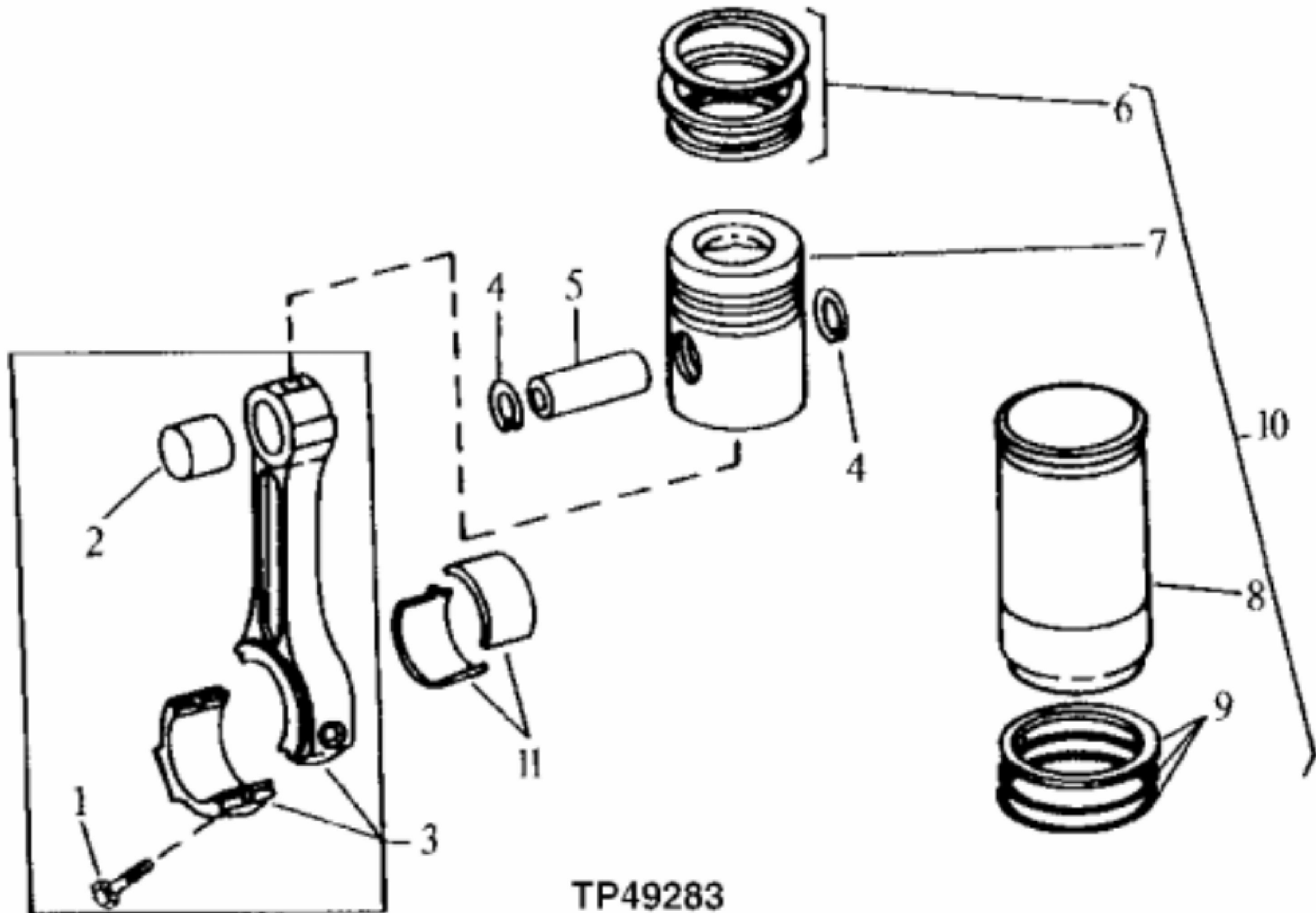
**<https://www.ebooklibonline.com>**

**If the above button click is invalid. Please download this document first, and then click the above link to download the complete manual.**

**Thank you so much for reading**

John Deere > Construction And Forestry >BACKHOE, LOADER >315SE - BACKHOE, LOADER >310E, 310SE and 315SE Backhoe Loaders >04A ENGINE 4045TT056, 4045DT055 >0400A ENGINE 4045TT056, 4045DT055 4045TT056, 4045DT055 >ST313027 - REPLACEMENT TIMING GEAR COVER

KEY	PART NO.	PART NAME	QTY	REMARKS
1	R136516	GASKET	1	
2	R520130	COVER	1	(ALSO ORDER R520132 AND RE515978 ) (SUB FOR R504725)
3	RE517370	FITTING	1	(SUB FOR RE515978) (WITHOUT TACHOMETER SENSOR)
4	51M7044	O-RING	1	17.300 X 2.200 mm
5	19M8317	SCREW	6	M8 X 40
5	19M7867	SCREW	1	M8 X 25
5	RE67239	SCREW	1	
6	19M8291	SCREW	1	M8 X 35
7	R121424	O-RING	1	
8	R121411	COVER	1	
9	19M7775	SCREW	3	M6 X 16
10	19M7801	SCREW	1	M8 X 60
11	RE516340	SEAL	1	(MARKED RE52346 OR RE505515 ) (SUB FOR RE59810)
12	51M7044	O-RING	1	17.300 X 2.200 mm
13	RE501938	PLUG	1	
14	RE505501	BLEED VALVE	1	
15	RE515978	COVER KIT	1	
16	14M7296	FLANGE NUT	6	M10
17	19M7979	SCREW	2	M8 X 55
18	R123584	STUD	4	
19	R134518	STUD	2	
20	RE508566	INSERT	1	(WATER PUMP INSERT REPAIR)



TP49283

**<https://www.ebooklibonline.com>**

Hello dear friend!

Thank you very much for reading.

Enter the link into your browser.

The full manual is available for immediate download.

**<https://www.ebooklibonline.com>**