

TP18553

KEY	PART NO.	PART NAME	QTY	300D	310D	315D	REMARKS
1	AR103811	SCREW WITH WASHER	8	X	X	X	(SUB FOR AR100124)
2	AR65864	FILLER CAP	1	X	X	X	
3	AR71130	VALVE COVER	1	X	X	X	(SUB FOR RE49600)
4	R73521	GASKET	1	X	X	X	

<https://www.ebooklibonline.com>

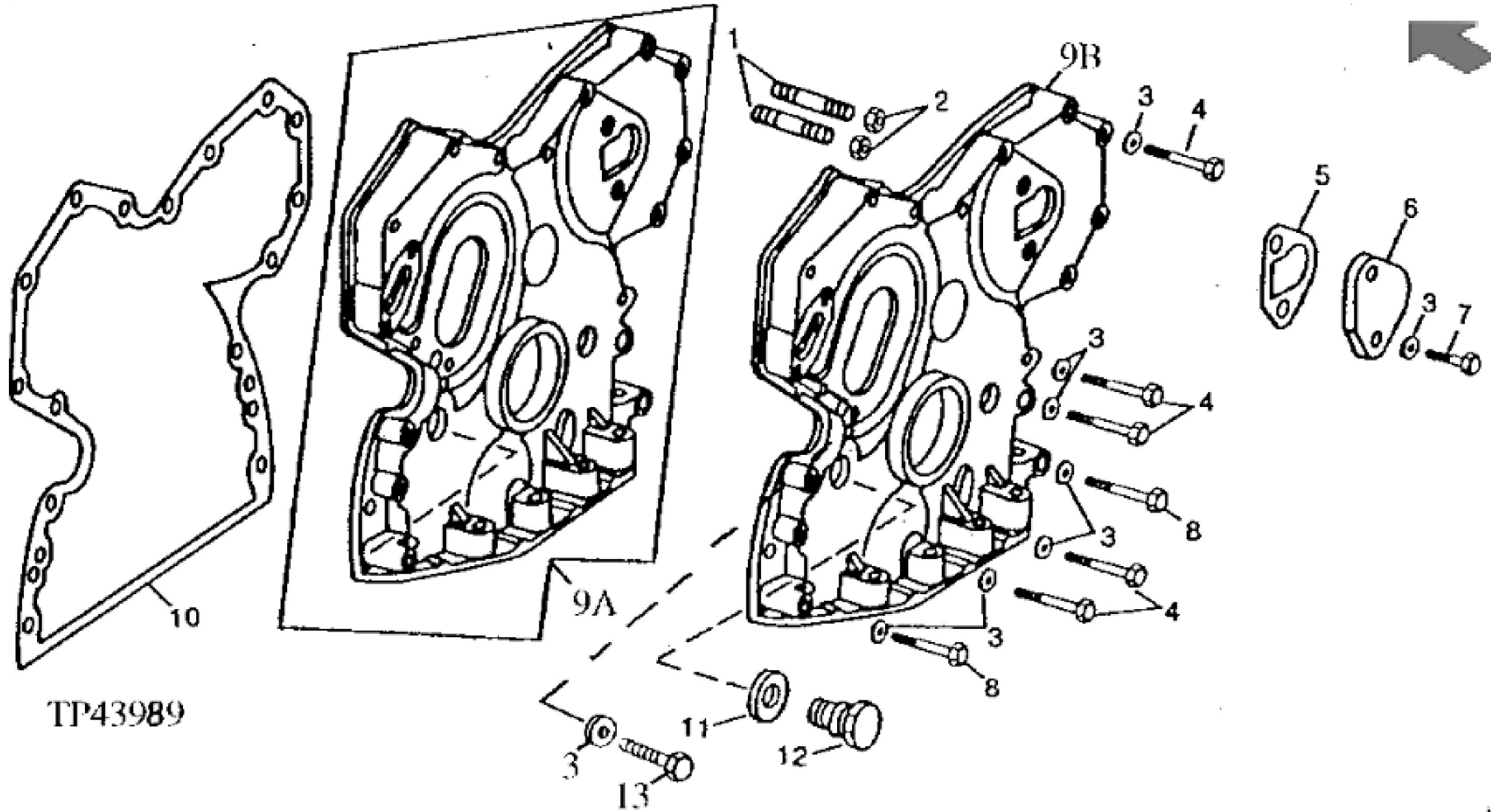
Hello dear friend!

Thank you very much for reading.

Enter the link into your browser.

The full manual is available for immediate download.

<https://www.ebooklibonline.com>



TP43989

KEY	PART NO.	PART NAME	QTY	Engine Serial No.	300D	310D	315D	REMARKS
1	R122226	STUD	2		X	X	X	(SUB FOR R122226)
2	N10215	LOCK NUT	2		X	X	X	9.525 mm (3/8"), (SUB FOR 14H812, THIS APPLICATION)
2	12H304	LOCK WASHER	AR		X	X	X	3/8"
3	24M7106	WASHER	AR		X	X	X	10 X 18 X 2.500 mm
4	19H3408	SCREW	5		X	X	X	3/8" X 1-3/4"
4	19H3693	SCREW	5		X	X	X	3/8" X 1-1/4"
5	R125066	GASKET	1		X	X	X	(SUB FOR R97773)
6	R126041	COVER	1		X	X	X	(SUB FOR T20362)
7	R124277	CAP SCREW	2		X	X	X	(SUB FOR R122618, AND 19H2284THIS APPLICATION)
8	19H3733	SCREW	2		X	X	X	3/8" X 2-1/2"
9A	RE39252	COVER	1	____-426683	X	X	X	WITH INSERTS, (SUB FOR RE27895)
9B	RE56443	COVER	1	426684-____	X	X	X	
10	R121314	GASKET	1		X	X	X	(SUB FOR R97454 OR R119269) (SUB R126513)
11	A4827R	WASHER	1		X	X	X	
12	T27657	FITTING PLUG	1		X	X	X	
13	19H1819	CAP SCREW	1	426684-____	X	X	X	3/8" X 2-1/8"



Suggest:

For more complete manuals. Please go to the home page.

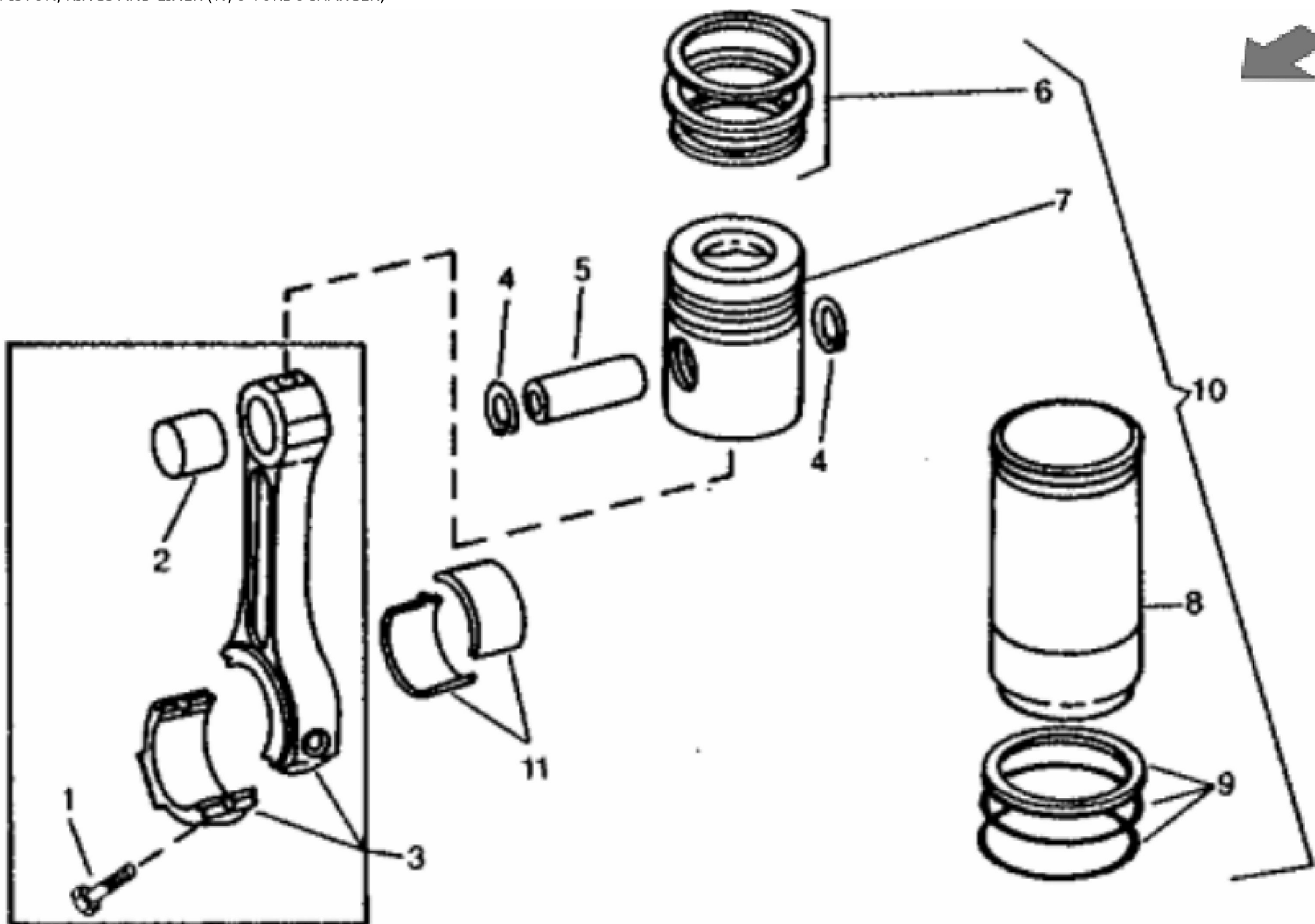
<https://www.ebooklibonline.com>

If the above button click is invalid. Please download this document first, and then click the above link to download the complete manual.

Thank you so much for reading

John Deere > Construction And Forestry > BACKHOE, LOADER > 315D - BACKHOE, LOADER > 300D, 310D and 315D Backhoe Loader > 04 ENGINE > 0403 CONNECTING RODS AND PISTONS > ST311205 - CONNECTING ROD, PISTON, RINGS AND LINER (WITH TURBOCHARGER)

KEY	PART NO.	PART NAME	QTY	300D	310D	315D	REMARKS
1	R80033	CAP SCREW	8		X	X	
2	RE63913	PIN KIT	1		X	X	(SUB FOR R56186 OR R57451)
3	RE42733	CONNECTING ROD	4		X	X	(MARKED R80032 OR R113612) (SUB FOR RE58347) (MARKED R122191)
3	SE500748	CONNECTING ROD REMAN	4	X	X	X	(REMAN FOR RE42733)
4	R54114	SNAP RING	8		X	X	
5	PIN	4		X	X	(R124230 NO LONGER AVAILABLE, FURNISH RE63913)
6	RE507852	PISTON RING KIT	4		X	X	(SUB FOR RE15674, RE48818, RE66820)
7	PISTON	4		X	X	(FURNISH RE22678)
8	CYLINDER LINER	4		X	X	(R116281 IS NO LONGER AVAILABLE), (SUB FOR R51726 OR R90059) (SUB RE500023 OR RE22678)
9	AR65507	O-RING KIT	4		X	X	
9	R26121	O-RING	1		X	X	
9	R48767	PACKING	1		X	X	
9	R55453	O-RING	1		X	X	
10	RE22678	PISTON-LINER KIT	4		X	X	(MARKED RE19278 OR RE48368)
10	RE526996	ENGINE OVERHAUL KIT	1		X	X	(MARKED RE19278 OR RE48368)
11	AR71080	BEARING	4		X	X	STANDARD (SET OF (2) R58980)
11	BEARING	4		X	X	(AR76128 NO LONGER AVAILABLE) 0.05 MM (.002") UNDERSIZE (SET OF (2) R62072)
11	AR76129	BEARING	4		X	X	0.25 MM (.010") UNDERSIZE (SET OF (2) R62073)
11	AR76130	BEARING	4		X	X	0.51 MM (.020") UNDERSIZE (SET OF (2) R62074)
11	AR76131	BEARING	4		X	X	0.76 MM (.030") UNDERSIZE (SET OF (2) R62075)
12	KIT	4		X	X	(RE500023 IS NO LONGER AVAILABLE), (SUB RE22678)
13	BUSHING	4		X	X	
14	RE63913	PIN KIT	4		X	X	



TP2835

<https://www.ebooklibonline.com>

Hello dear friend!

Thank you very much for reading.

Enter the link into your browser.

The full manual is available for immediate download.

<https://www.ebooklibonline.com>