

JOHN DEERE
RGP7561

KEY	PART NO.	PART NAME	QTY	REMARKS
1	CYLINDER BLOCK	1	(MARKED R115081), (ORDER RE516100 OR RE507489)
2	R48685	DOWEL PIN	4	
3	R131182	ORIFICE	4	
4	RE508185	FITTING	2	
5	U13639	O-RING	2	
6	R116466	PLUG	1	
7	R119874	BUSHING	1	(ALSO ORDER TY6333)
8	T18891	PLUG	2	OD 16MM (.63")
9	R26650	DOWEL PIN	2	
10	R26493	BUSHING	1	
11	R115299	BUSHING	6	
12	R115390	BUSHING	AR	FOR R75892
13	R75892	O-RING	AR	FOR R115390
14	R97185	O-RING	1	
15	RE63674	VALVE	1	KIT (CONTAINS R111137 AND R121043)
16	15H623	PIPE PLUG	1	3/8"
17	R114241	BEARING CAP	4	
18	T20168	WASHER	10	
19	T23474	CAP SCREW	10	
20	R132186	BEARING CAP	1	
21	15H584	PIPE PLUG	AR	1/2"
22	R104592	PIPE PLUG	1	1/8"-27NPT
23	R55233	PIPE PLUG	1	1/4"-18NPT
24	AT13740	DRAIN VALVE	AR	
25	CAP SCREW	AR	M12
26	CAP SCREW	AR	M12
..	RE507489	DIESEL ENGINE	1	PE4045TKV50, NO LONGER AVAILABLE

<https://www.ebooklibonline.com>

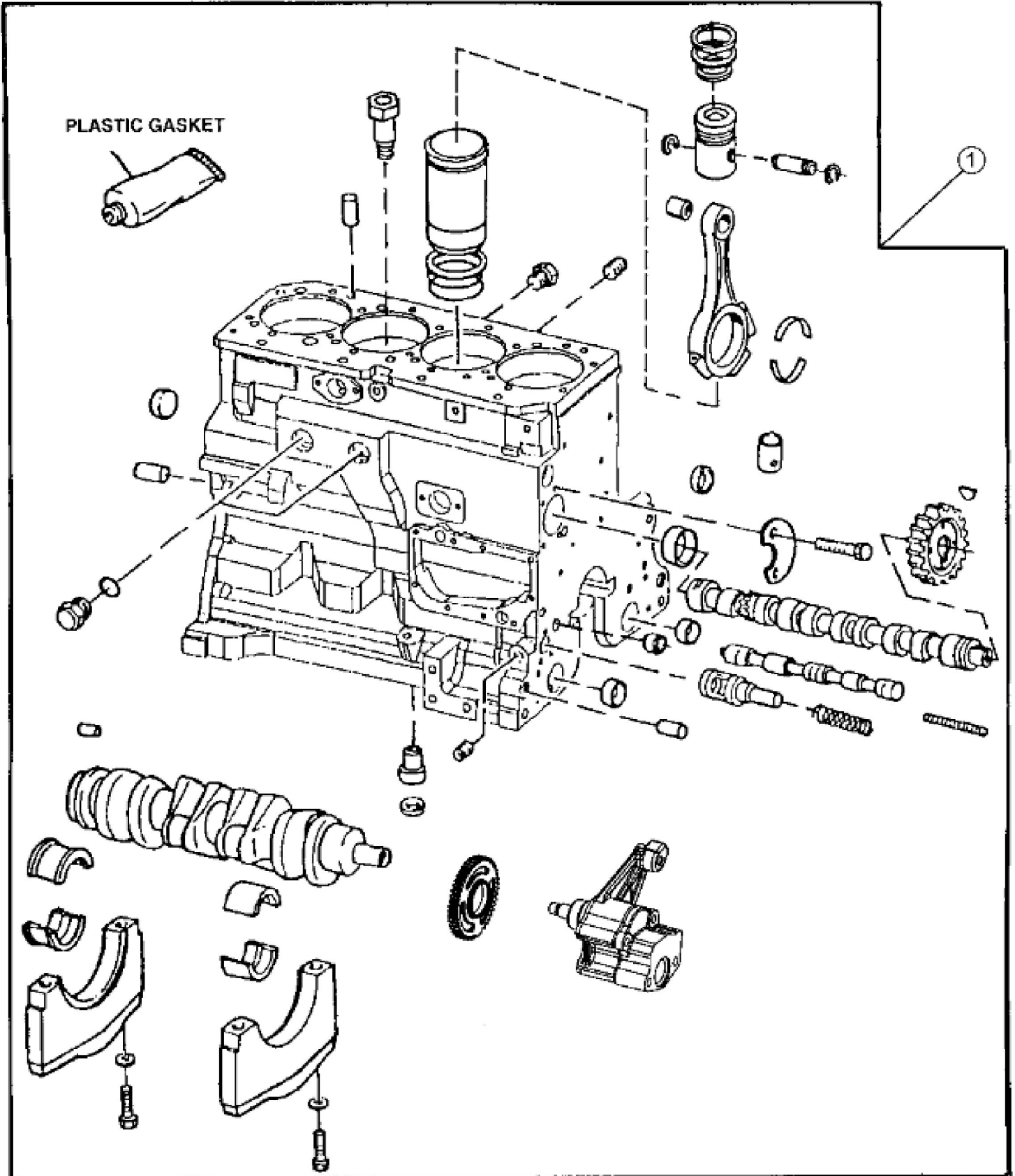
Hello dear friend!

Thank you very much for reading.

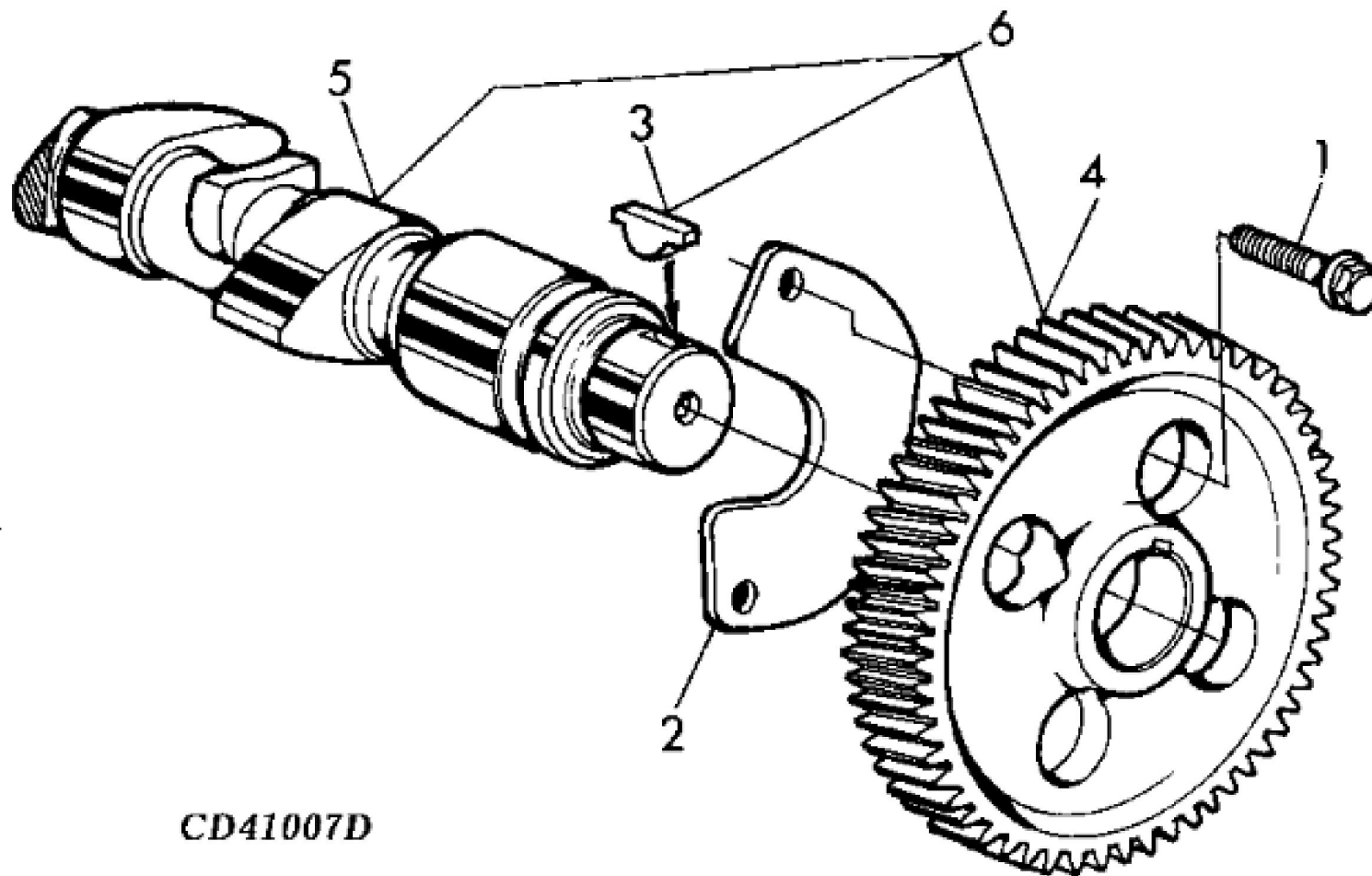
Enter the link into your browser.

The full manual is available for immediate download.

<https://www.ebooklibonline.com>



KEY	PART NO.	PART NAME	QTY	REMARKS	
1	RE516100	SHORT BLOCK ASSEMBLY	1	(HIGH FLOW) (SUB FOR RE65952) (MARKED R115081) (ALSO ORDER RE501455, RE502269, RE66084 AND DD15664)(DOES NOT INCLUDE FRONT PLATE)	
..	DIESEL ENGINE	1	(PE4045TKV50) (RE507489 NLA) (SUB COMPONENTS)	
..	RE516258	DIESEL ENGINE	1	NLA (PE4045TKV50) (ORDER SE500713)	
..	SE500713	COMPLETE BLOCK ASSY REMAN	1		



CD41007D



Suggest:

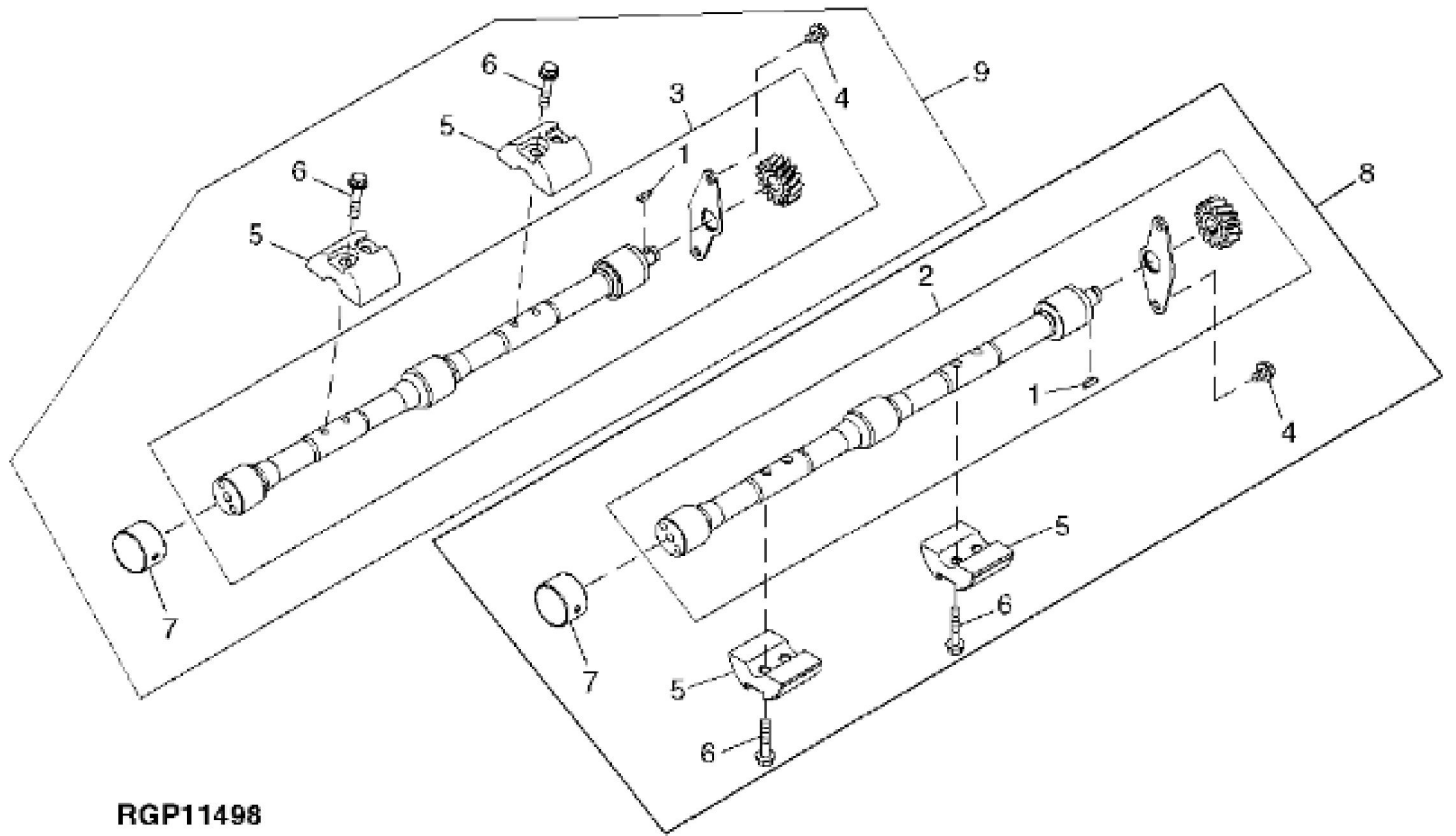
For more complete manuals. Please go to the home page.

<https://www.ebooklibonline.com>

If the above button click is invalid. Please download this document first, and then click the above link to download the complete manual.

Thank you so much for reading

KEY	PART NO.	PART NAME	QTY	REMARKS	
1	19M8999	SCREW	2	M8 X 25	
2	R132518	PLATE	1		
3	SHAFT KEY	1	(ORDER RE56375)	
4	HELICAL GEAR	1	Z= 60 (MARKED R133812), (NSEP), (ORDER RE56375)	
5	CAMSHAFT	1	NSEP, (ORDER RE56375)	
6	RE56375	CAMSHAFT	1	KIT	
6	SE501624	CAMSHAFT REMAN	1	(REMAN FOR RE56375)	



RGP11498

<https://www.ebooklibonline.com>

Hello dear friend!

Thank you very much for reading.

Enter the link into your browser.

The full manual is available for immediate download.

<https://www.ebooklibonline.com>