

CD39063B

KEY	PART NO.	PART NAME	QTY	240	250	REMARKS	
1	RE68302	CYLINDER BLOCK	1	X	X		
2	19H2676	CAP SCREW	2	X	X	3/8" X 1"	
3	T20072	PLATE	1	X	X		
4	26H72	SHAFT KEY	1	X	X	1/8" X 5/8"	
5	CAMSHAFT	1	X	X	(MARKED R106957) (ORDER RE55900)	
5	RE55900	ENGINE KIT	1	X	X		
5	SE501622	CAMSHAFT REMAN	1	X	X	REMAN FOR RE55900	
6	T20073	CAM FOLLOWER	6	X	X		
7	R54802	ORIFICE	3	X	X		
8	R48685	DOWEL PIN	4	X	X	OD 12.7 MM (1/2") UP, REAR	
9	R26650	DOWEL PIN	2	X	X	OD 9.5 MM (3/8") FRONT	
10	19H1726	CAP SCREW	2	X	X	3/8" X 2-1/4"	
11	T25701	STUD	1	X	X	(SUB FOR R130883)	
12	T18891	PLUG	AR	X	X	OD 16 MM (0.636")	
13	R26493	BUSHING	1	X	X		
14	SPRING	1	X	X	(ORDER RE63674)	
15	VALVE	1	X	X	(ORDER RE63674)	
16	T23474	CAP SCREW	8	X	X		
17	T20168	WASHER	8	X	X		
18	R65215	BEARING CAP	3	X	X		
19	R79089	CAP	1	X	X	REAR	
20	R97185	O-RING	1	X	X		
21	CYLINDER BLOCK	1	X	X	(ORDER RE68302) (MARKED R130874)	
22	15H623	PIPE PLUG	1	X	X	3/8"	
23	19H2351	CAP SCREW	1	X	X	1/2" X 1/2"	
24	T23435	THREADED NIPPLE	1	X	X		
25	R104592	PIPE PLUG	4	X	X	(WITH SEALANT) (SUB FOR R119392)	
26	15H275	PIPE PLUG	1	X	X	1/4"	
27	15H584	PIPE PLUG	1	X	X	1/2"	
28	R55233	PIPE PLUG	AR	X	X		
29	15H562	PIPE PLUG	1	X	X	1"	
30	14H1076	NUT	1	X	X	3/8"	
31	R119874	BUSHING	1	X	X	(ALSO ORDER TY6333)	
32	RE63674	VALVE	1	X	X		
33	AT13740	DRAIN VALVE	AR	X	X		

<https://www.ebooklibonline.com>

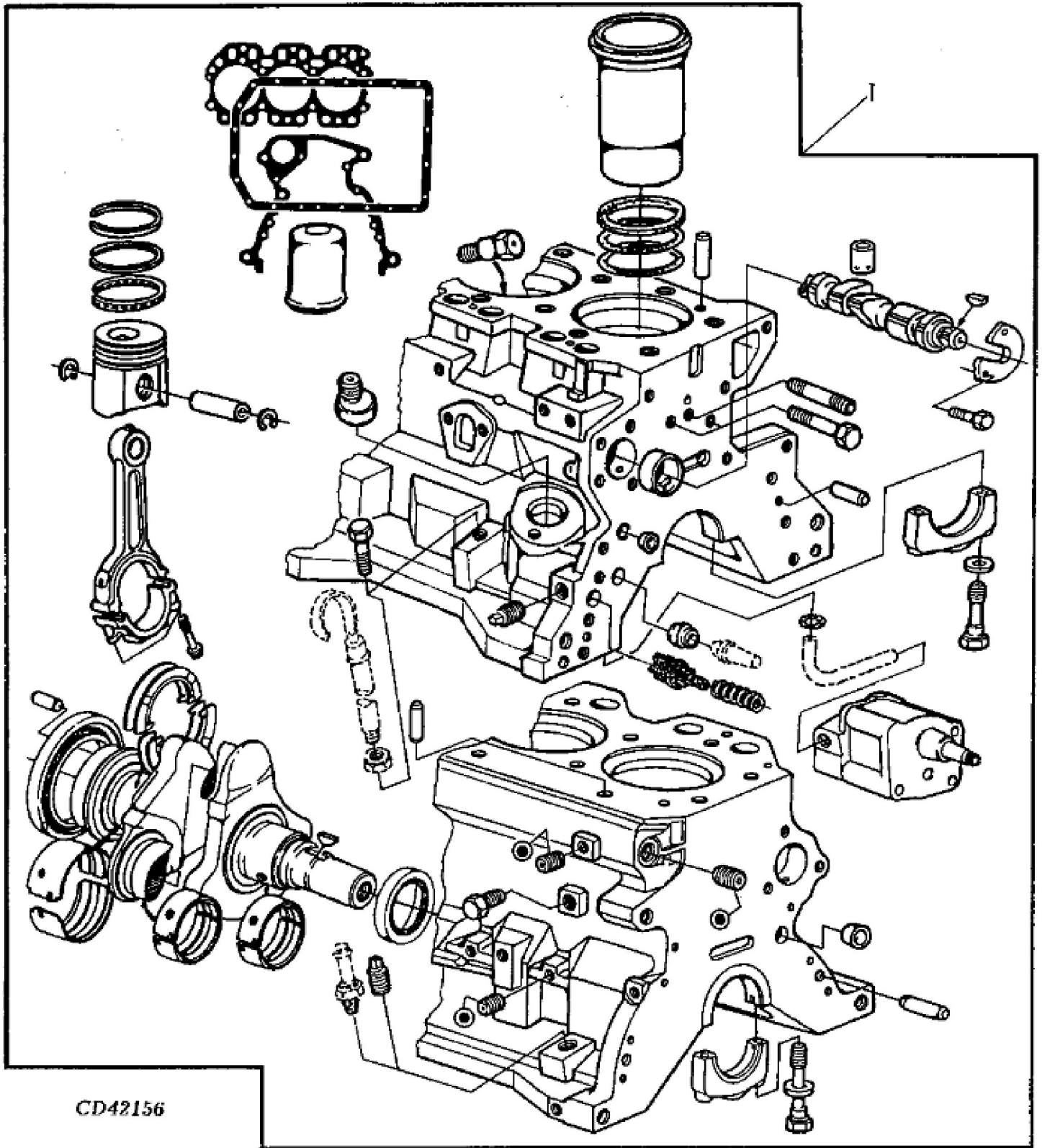
Hello dear friend!

Thank you very much for reading.

Enter the link into your browser.

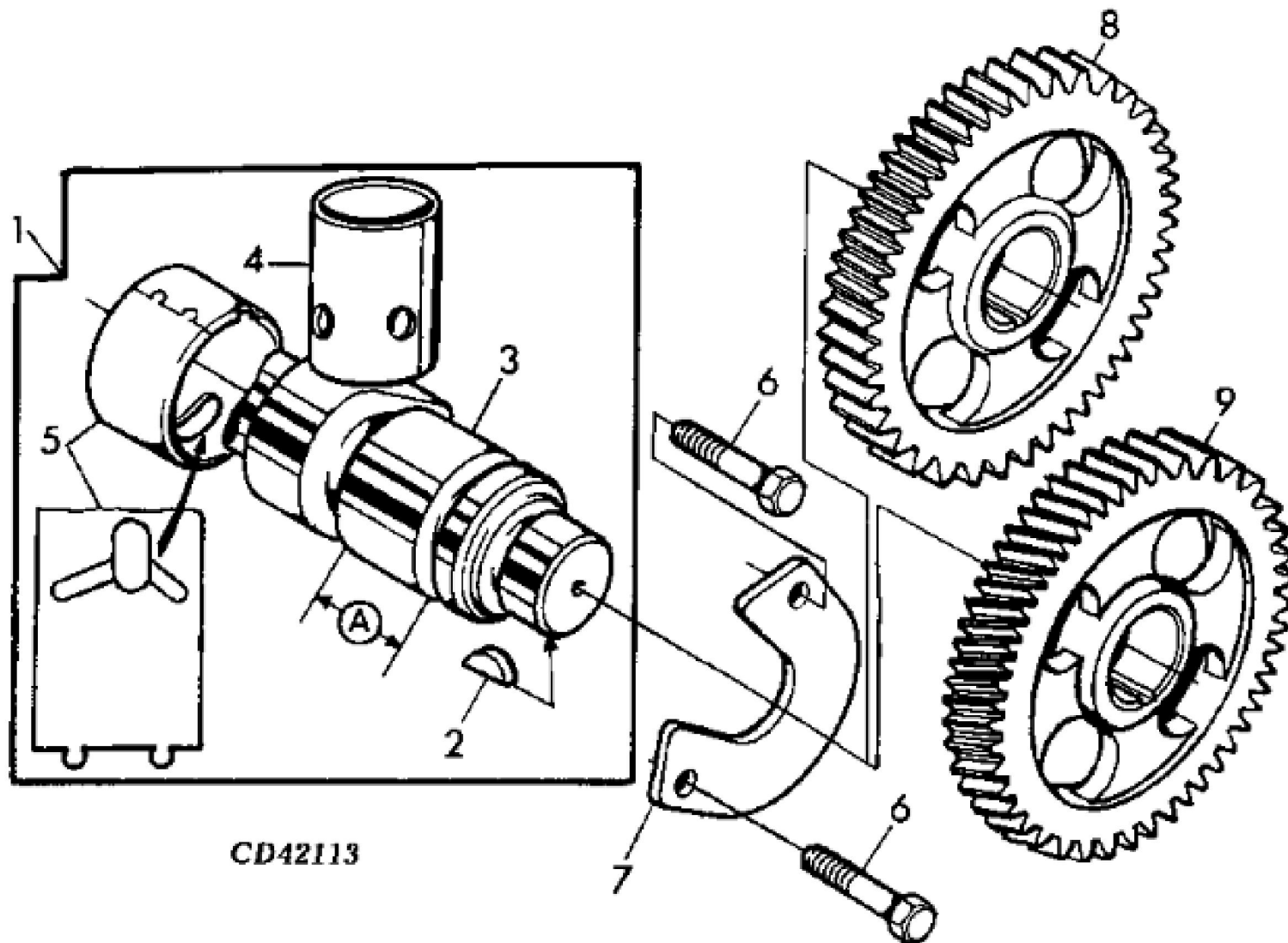
The full manual is available for immediate download.

<https://www.ebooklibonline.com>



CD42156

KEY	PART NO.	PART NAME	QTY	Engine Serial No.	240	250	REMARKS
1	RE65004	SHORT BLOCK ASSEMBLY	1		X		
1	RE502327	SHORT BLOCK ASSEMBLY	1			X	
..	ENGINE	1	____-074051	X		(SN -240851) PE3029DKV50
..	ENGINE	1	082201-____	X		(SN 240852-) PE3029DKV54, COMPLETE (CA) (POWERTECH™) (RE517014 NLA)(SUB COMPONENTS)
..	ENGINE	1	____-053366	X		(SN -240851) (HIGH FLOW) PE3029DKV51
..	ENGINE	1	126861-____	X		(SN 240852-) (HIGH FLOW) PE3029DKV55, COMPLETE (CA) (POWERTECH™) (RE517015 NLA)(SUB COMPONENTS)
..	ENGINE	1			X	PE3029TKV50, COMPLETE (CA) (RE517016 NLA)(SUB COMPONENTS)
..	ENGINE	1			X	(HIGH FLOW) PE3029TKV51, COMPLETE (CA) (RE517017 NLA)(SUB COMPONENTS)
..	SE501482	COMPLETE BLOCK ASSY REMAN	1		X		(3029DKV50, 3029DKV54)
..	SE501483	COMPLETE BLOCK ASSY REMAN	1		X		(3029DKV51, 3029DKV53, 3029DKV55)
..	SE501484	COMPLETE BLOCK ASSY REMAN	1			X	(3029TKV50)
..	SE501485	COMPLETE BLOCK ASSY REMAN	1			X	(3029TKV51)



CD42113



Suggest:

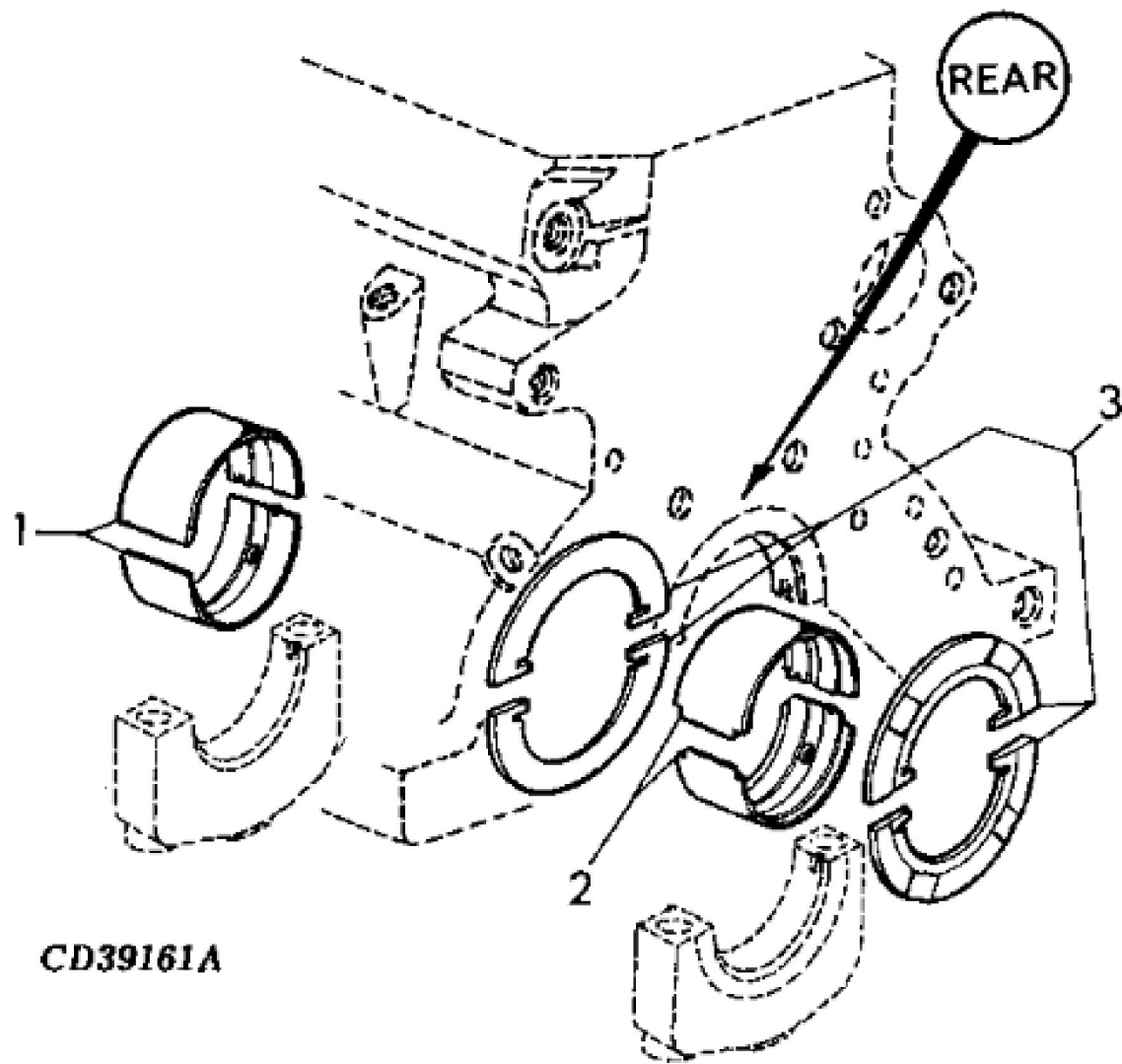
For more complete manuals. Please go to the home page.

<https://www.ebooklibonline.com>

If the above button click is invalid. Please download this document first, and then click the above link to download the complete manual.

Thank you so much for reading

KEY	PART NO.	PART NAME	QTY	240	250	REMARKS
1	RE55900	ENGINE KIT	1	X	X	(INCLUDES INSTRUCTIONS)
1	SE501622	CAMSHAFT REMAN	1	X	X	(REMAN FOR RE55900)
2	26H72	SHAFT KEY	1	X	X	1/8" X 5/8"
3	CAMSHAFT	1	X	X	A = 40 MM (ORDER RE55900) (MARKED R106957)
4	T20073	CAM FOLLOWER	6	X	X	
5	R119874	BUSHING	1	X	X	(ALSO ORDER TY6333)
6	19H2676	CAP SCREW	2	X	X	3/8" X 1"
7	T20072	PLATE	1	X	X	
8	R126246	SPUR GEAR	1	X	X	(PE3029DKV51/55 (240 HIGH FLOW) & PE3029TKV51 (250 HIGH FLOW)) Z = 48
9	T20070	HELICAL GEAR	1	X	X	Z = 48



CD39161A

<https://www.ebooklibonline.com>

Hello dear friend!

Thank you very much for reading.

Enter the link into your browser.

The full manual is available for immediate download.

<https://www.ebooklibonline.com>