

TP3697

John Deere > Construction And Forestry >BACKHOE, LOADER >210C - BACKHOE, LOADER >210C Backhoe Loader >04 ENGINE 4 >0402 CAMSHAFT AND VALVE ACTUATING MEANS >ST310685 -  
ROCKER ARM COVER

KEY	PART NO.	PART NAME	QTY	REMARKS	
1	AR103811	SCREW WITH WASHER	8	(SUB FOR AR100124)	
2	AR73604	COVER	1		
3	R73521	GASKET	1	(SUB FOR AR100596)	

**<https://www.ebooklibonline.com>**

Hello dear friend!

Thank you very much for reading.

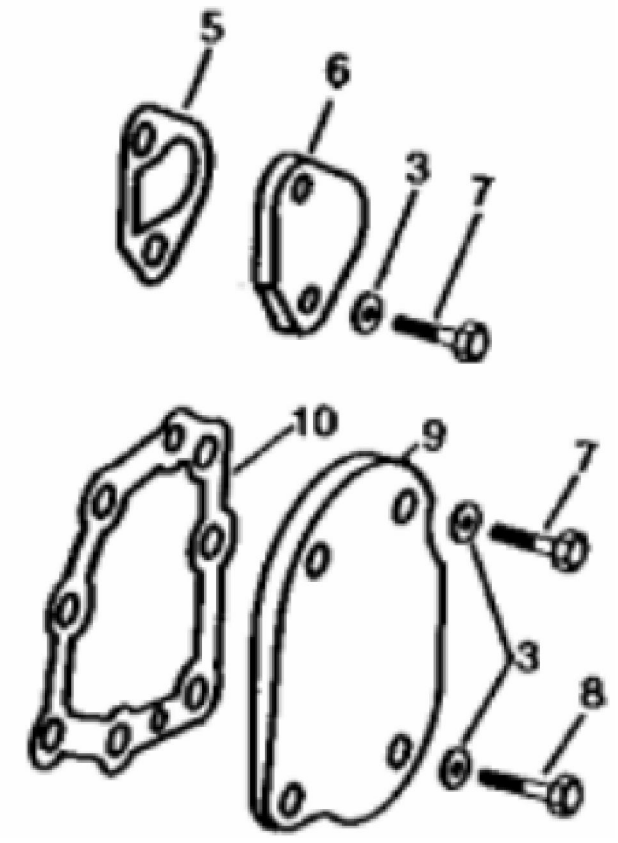
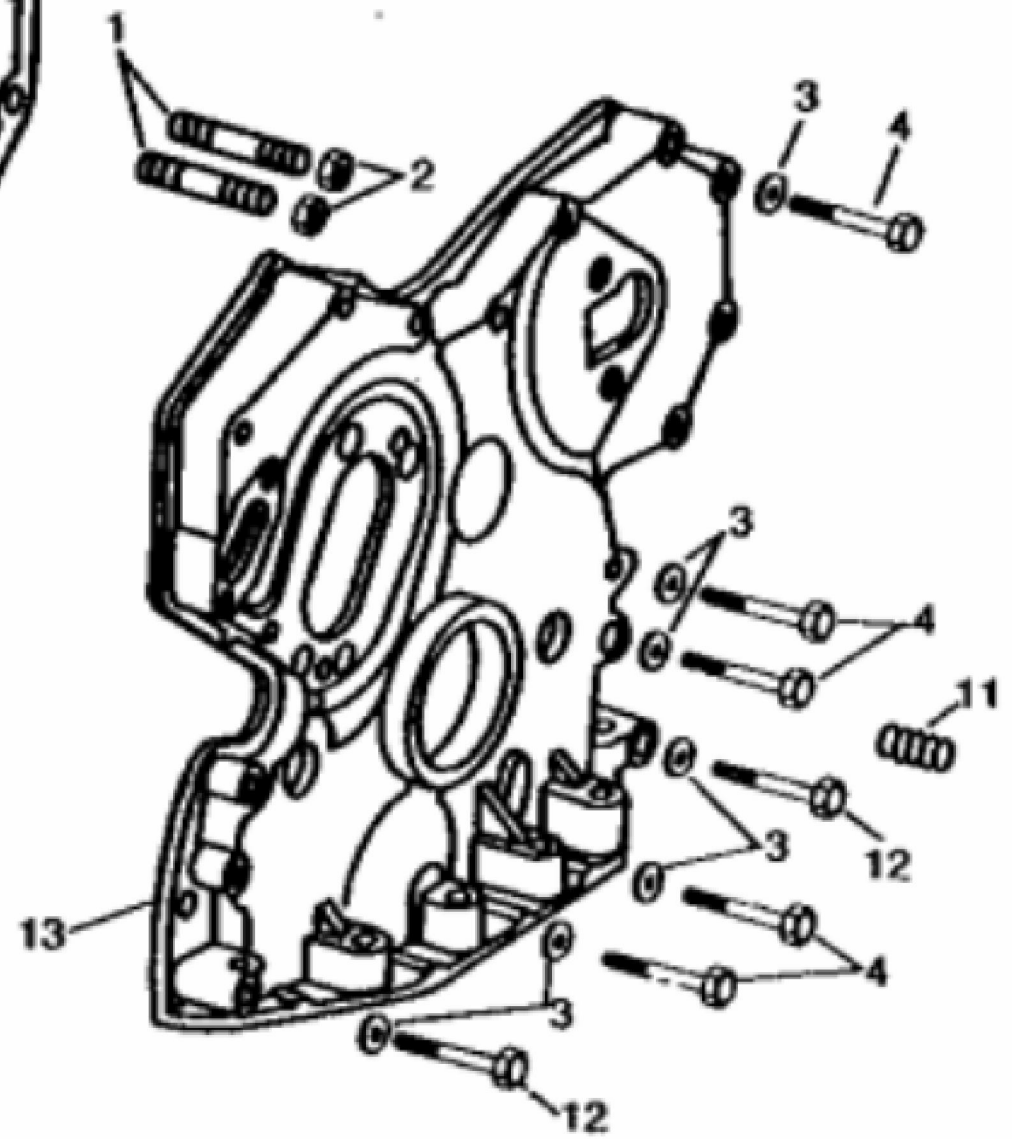
Enter the link into your browser.

The full manual is available for immediate download.

**<https://www.ebooklibonline.com>**

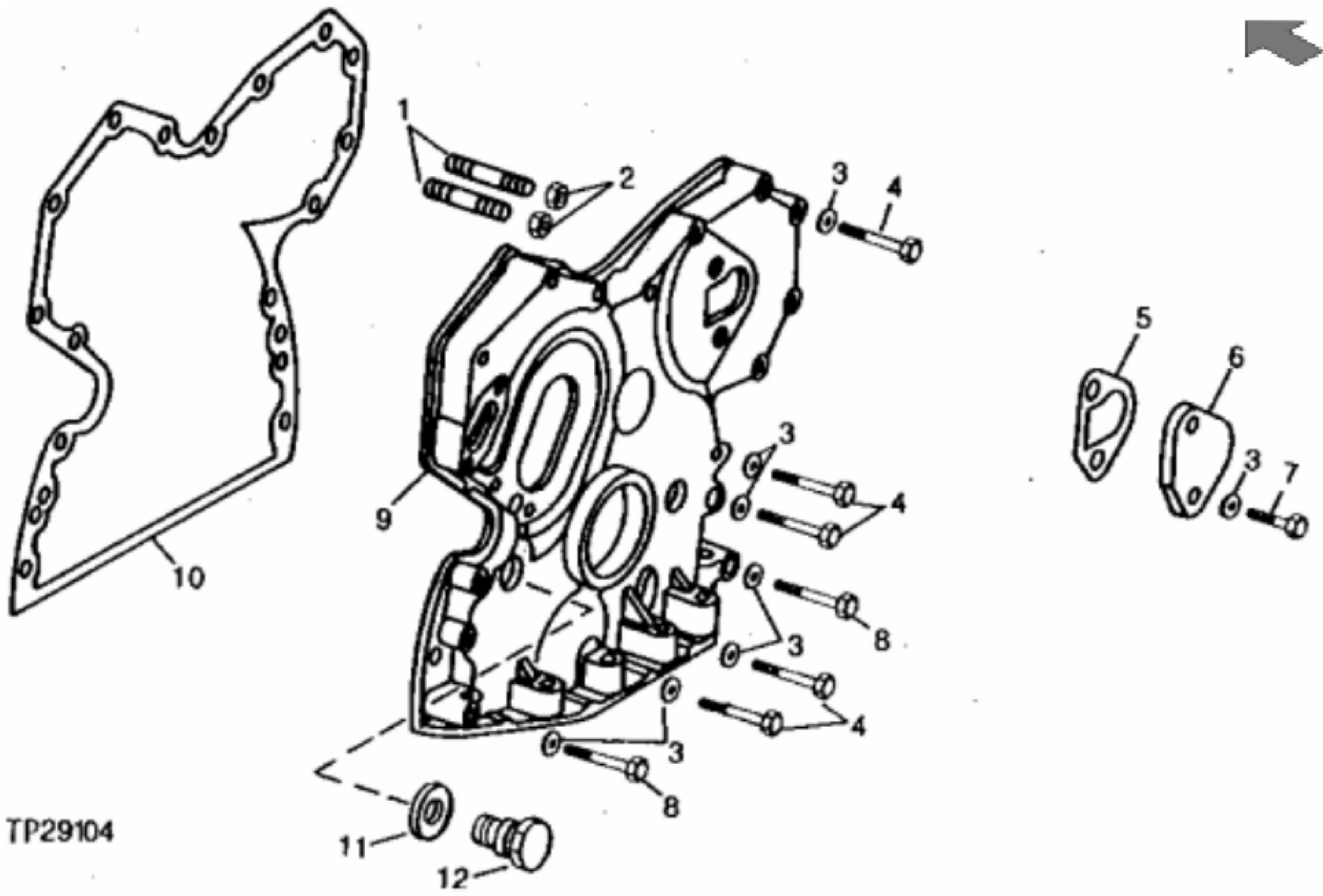


TP861



John Deere > Construction And Forestry >BACKHOE, LOADER >210C - BACKHOE, LOADER >210C Backhoe Loader >04 ENGINE 4 >0402 CAMSHAFT AND VALVE ACTUATING MEANS >ST310686 - TIMING GEAR COVER ( - 299999)

KEY	PART NO.	PART NAME	QTY	REMARKS
1	R122226	STUD	2	(SUB FOR R122226)
2	12H304	LOCK WASHER	2	3/8"
2	14H812	NUT	2	3/8"
3	24H1304	WASHER	AR	13/32" X 23/32" X 0.120"
4	19H2549	CAP SCREW	10	3/8" X 1-7/8"
5	R78366	GASKET	1	
6	R126041	COVER	1	(SUB FOR T20362)
7	19H2284	CAP SCREW	3	3/8" X 7/8"
7	R124277	CAP SCREW	2	(SUB FOR R122618)
8	19H1819	CAP SCREW	1	3/8" X 2-1/8"
9	T20272	COVER	1	
10	T20273	GASKET	1	
11	15H275	PIPE PLUG	1	1/4"
12	19H3031	CAP SCREW	2	3/8" X 2-1/2"
13	AR58196	COVER	1	(MARKED R52880 ) (ALSO ORDER T20272, T20273, 15H275, 19H1726, (3) 19H2284 AND (4) 24H1304)
14	T20155	GASKET	1	



TP29104



**Suggest:**

**For more complete manuals. Please go to the home page.**

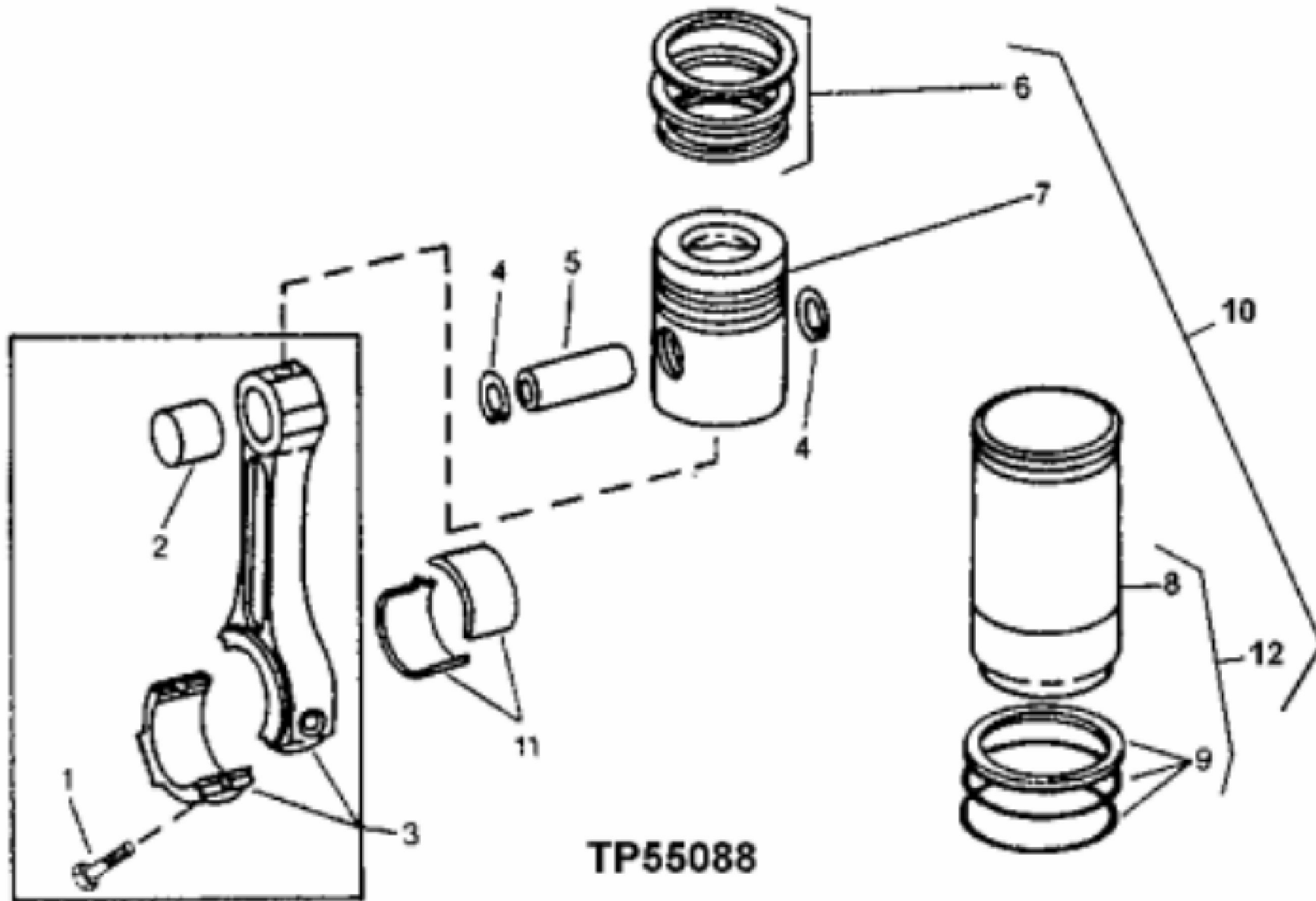
**<https://www.ebooklibonline.com>**

**If the above button click is invalid. Please download this document first, and then click the above link to download the complete manual.**

**Thank you so much for reading**

John Deere > Construction And Forestry > BACKHOE, LOADER > 210C - BACKHOE, LOADER > 210C Backhoe Loader > 04 ENGINE 4 > 0402 CAMSHAFT AND VALVE ACTUATING MEANS > ST310687 - TIMING GEAR COVER (300000 - )

KEY	PART NO.	PART NAME	QTY	Engine Serial No.	REMARKS
1	R122226	STUD	2		(SUB FOR R122226)
2	N10215	LOCK NUT	2		9.525 mm (3/8"), (SUB FOR 14H812, THIS APPLICATION)
2	12H304	LOCK WASHER	AR		3/8"
3	24M7106	WASHER	AR		10 X 18 X 2.500 mm
4	19H3408	SCREW	5		3/8" X 1-3/4"
4	19H3693	SCREW	5		3/8" X 1-1/4"
5	R125066	GASKET	1		(SUB FOR R97773)
6	R126041	COVER	1		(SUB FOR T20362)
7	R124277	CAP SCREW	2		(SUB FOR R122618, THIS APPLICATION)
8	19H3733	SCREW	2		3/8" X 2-1/2"
9	RE39252	COVER	1		
10	R126513	GASKET	1		(SUB FOR R97454, R119269 OR R121314)
11	A4827R	WASHER	1		
12	T27657	FITTING PLUG	1		
13	19H1819	CAP SCREW	1	426684-_____	3/8" X 2-1/8"



**<https://www.ebooklibonline.com>**

Hello dear friend!

Thank you very much for reading.

Enter the link into your browser.

The full manual is available for immediate download.

**<https://www.ebooklibonline.com>**