

PU01597

| KEY | PART NO. | PART NAME | QTY | REMARKS |
|-----|-----------|-----------------|-----|---|
| 1 | UC11104 | DIPSTICK | 1 | SUB FOR LG499602 |
| 2 | LG691031 | O-RING | 1 | |
| 3 | LG691036 | DIPSTICK | 1 | |
| 4 | LG691032 | SEAL | 1 | |
| 5 | LG691037 | OIL TUBE | 1 | |
| 6 | LG691108 | SCREW | 1 | |
| 6 | 37H74 | SCREW | 1 | |
| 6 | M153266 | SCREW | 1 | |
| 7 | LG391086S | SEAL | 1 | |
| 8 | MIA11778 | SEAL KIT | 1 | (SUB FOR LG499585) |
| 9 | LG690959 | DOWEL PIN | 6 | |
| 10 | MIA10607 | CYLINDER | 1 | NLA; ORDER MIA11033 |
| 10 | MIA11033 | CYLINDER | 1 | NLA; ORDER MIA12510 |
| 10 | MIA13076 | CYLINDER | 1 | SUB FOR MIA12510 |
| 11 | MIU14436 | GASKET | 1 | SUB FOR M150226 AND MIU13979 |
| 12 | LG690770 | SCREEN | 1 | |
| 12 | MIU12140 | SCREEN | 1 | (USE WITH MIA11584) |
| 13 | LG690946 | DRAIN PLUG | 1 | NLA; ORDER 15H623 (USE WITH MIA11584) |
| 13 | 15H623 | PIPE PLUG | 1 | 3/8" |
| 13 | LG691680 | DRAIN PLUG | 1 | |
| 14 | LG690954 | THREADED NIPPLE | 1 | |
| 15 | 15H638 | PIPE PLUG | 1 | 1/8" |
| 16 | MIU11958 | SEAL | 1 | (SUB FOR LG690947 OR MIU11212) |
| 17 | M142284 | SEAL | 1 | NLA; ORDER MIU11284; MARKED 445777-0264-E1; Governor Shaft |
| 17 | MIU11284 | SEAL | 1 | MARKED 445877-0130-E1; USE WITH MIA11584; Governor Shaft |
| 18 | M142281 | BUSHING | 1 | GOVERNOR CRANK |
| 19 | AM134054 | RESERVOIR | 1 | NLA (SUB MIA11584) |
| 19 | MIA11584 | RESERVOIR | 1 | (ALSO INCLUDES MIU12143, MIA11464 AND (3) MIU12142) |
| 20 | GY20577 | OIL FILTER | 1 | NLA, KIT (W/ PACKAGING) |
| 20 | AM125424 | OIL FILTER | 1 | |
| 21 | LG690957 | RETAINER | 1 | |
| 22 | LG690956 | FILTER ELEMENT | 1 | NLA; ORDER MIU11502; ENGINE MARKED 445777-0264-E1 |
| 22 | MIU11502 | BREATHER | 1 | ENGINE MARKED 445877-0130-E1; SUB FOR LG690956 |

<https://www.ebooklibonline.com>

Hello dear friend!

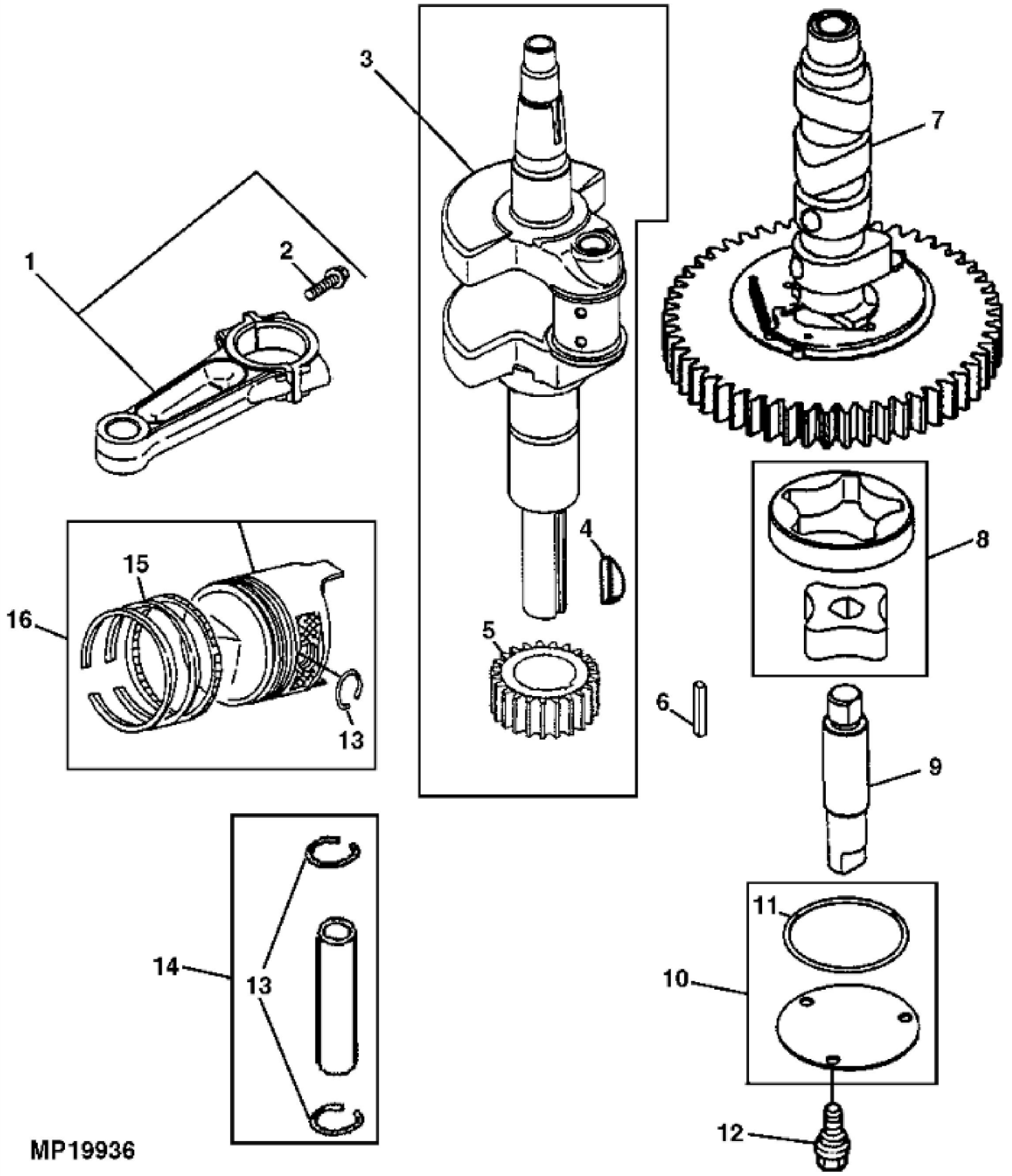
Thank you very much for reading.

Enter the link into your browser.

The full manual is available for immediate download.

<https://www.ebooklibonline.com>

| KEY | PART NO. | PART NAME | QTY | REMARKS |
|-----|----------|-----------------|-----|---|
| 23 | LG691108 | SCREW | 3 | |
| 24 | LG690942 | STRUCTURAL TUBE | 1 | ORDER MIU11280 |
| 24 | MIU14443 | TUBE | 1 | SUB FOR MIU11280 |
| 25 | LG690937 | GASKET | 1 | |
| 26 | MIA10872 | BREATHER | 1 | (SUB FOR LG499601) |
| 27 | M142896 | SCREW | 10 | |
| 28 | LG691045 | CRANK | 1 | GOVERNOR |
| 29 | M142282 | BUSHING | 2 | |
| 30 | M142286 | RETAINER | 1 | |
| 31 | M142280 | WASHER | 1 | |
| 32 | GC00331 | SCREW | 4 | NLA; ORDER GX24210; Engine Mounting |
| 32 | GX24210 | SCREW | 4 | |
| 33 | AM131611 | DRAIN PLUG | 1 | OIL DRAIN |
| 34 | | TUBE | 1 | |
| 35 | T77932 | O-RING | 1 | |
| 36 | M144897 | CAP | 1 | |
| .. | MIA10363 | GASOLINE ENGINE | 1 | NLA; ORDER MIA12447; MARKED 445777-0264-E1; SUB MIA10809 |
| .. | MIA10809 | GASOLINE ENGINE | 1 | MARKED 445877-0130-E1 |
| .. | MIA12447 | GASOLINE ENGINE | 1 | SUB FOR MIA10809 |



MP19936



Suggest:

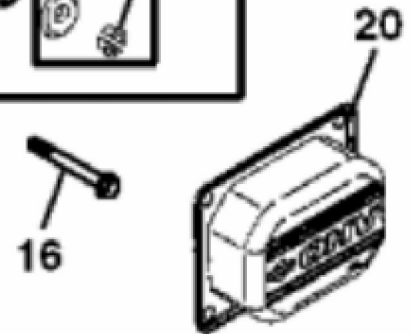
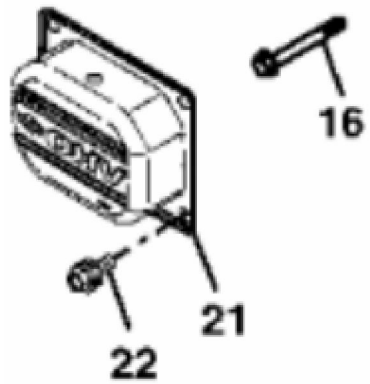
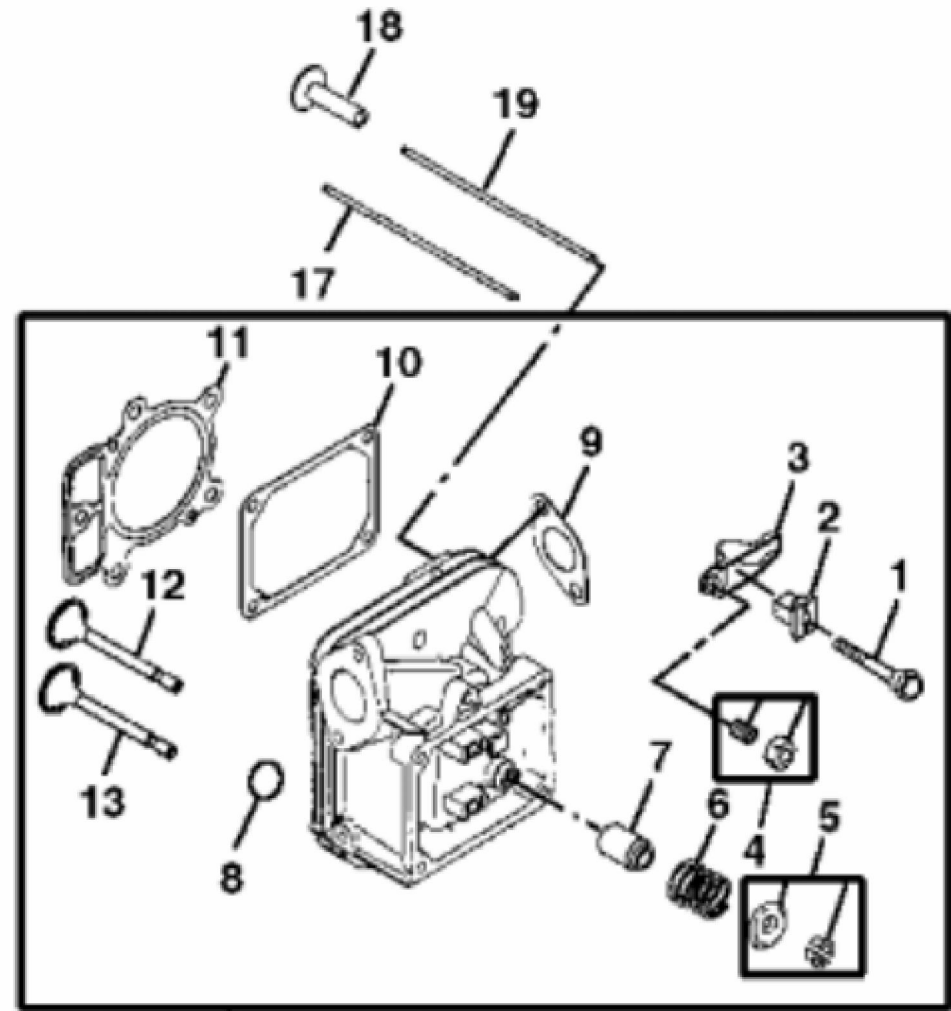
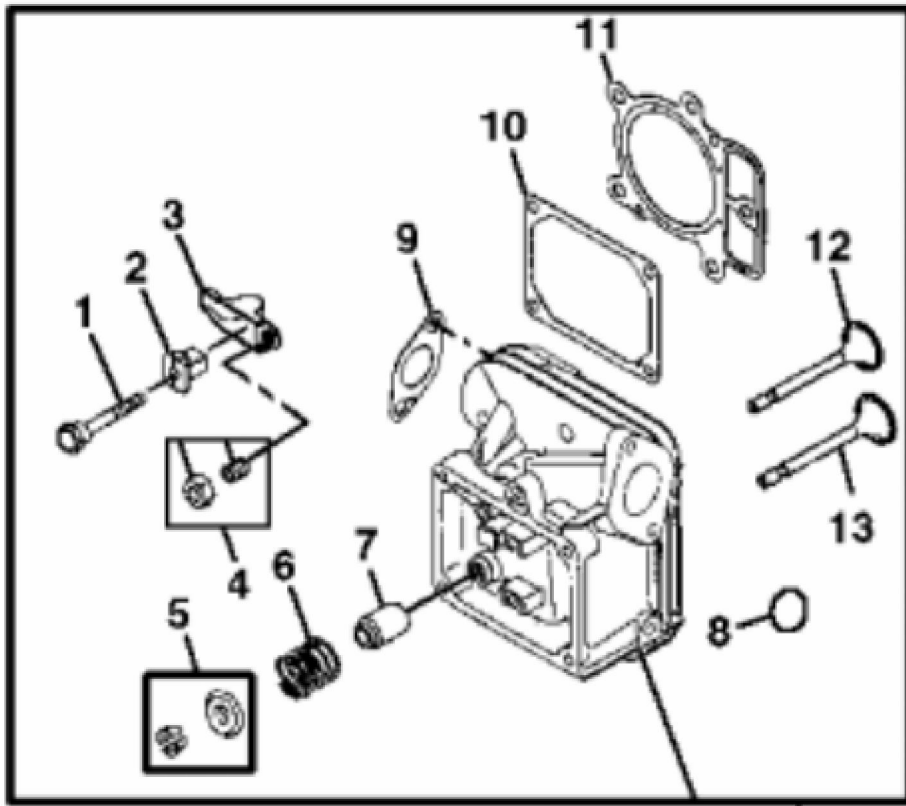
For more complete manuals. Please go to the home page.

<https://www.ebooklibonline.com>

If the above button click is invalid. Please download this document first, and then click the above link to download the complete manual.

Thank you so much for reading

| KEY | PART NO. | PART NAME | QTY | REMARKS |
|-----|-----------|-----------------|-----|--|
| 1 | MIA11459 | CONNECTING ROD | 2 | (SUB FOR AM135101) |
| 2 | LG690976 | SCREW | 2 | |
| 3 | AM135083 | CRANKSHAFT | 1 | (SUB MIA11457) |
| 3 | MIA11457 | CRANKSHAFT | 1 | (INCLUDES LG690980) |
| 4 | 26H4 | SHAFT KEY | 1 | 1/8" X 3/8" |
| 5 | LG690980 | GEAR | 1 | TIMING |
| 6 | LG222698S | SHAFT KEY | 1 | FLYWHEEL |
| 7 | MIA10916 | CAMSHAFT | 1 | (ENGINE MARKED 445777-0264-E1) (INCLUDES (4) LG690977) (SUB FOR MIA10636) |
| 7 | MIA11038 | CAMSHAFT | 1 | (ENGINE MARKED 445877-0130-E1) (INCLUDES (4) LG690977) |
| 8 | MIA11172 | OIL PUMP | 1 | (SUB FOR LG499054) |
| 8 | MIU12143 | OIL PUMP | 1 | (USE WITH MIA11584) |
| 9 | LG691042 | SHAFT | 1 | NLA; ORDER MIA11172 |
| 9 | MIA11172 | OIL PUMP | 1 | |
| 10 | LG499613 | COVER | 1 | |
| 10 | MIA11464 | COVER | 1 | (USE WITH MIA11584) |
| 11 | LG690589 | SEAL | 1 | |
| 11 | MIU12153 | SEAL | 1 | (USE WITH MIA11584) |
| 12 | M151228 | SCREW | 3 | |
| 12 | MIU12142 | SCREW | 3 | (USE WITH MIU12143) |
| 13 | LG690975 | LOCK | 2 | |
| 14 | LG690229 | PISTON PIN | 2 | |
| 15 | AM129799 | PISTON RING KIT | 1 | STD (ENGINE MARKED 445777-0264-E1) (SUB MIA10996) |
| 15 | MIU11282 | PISTON RING KIT | 1 | SUB FOR MIU11453; USE WITH MIA10996; STD |
| 15 | MIU11283 | PISTON RING KIT | 1 | .020" (.50 MM) OS, (ENGINE MARKED 445877-0130-E1) |
| 16 | MIA10996 | PISTON | 2 | STD (ENGINE MARKED 445777-0264-E1) (SUB FOR AM129798) |
| 16 | MIA11036 | PISTON | 2 | STD (ENGINE MARKED 445877-0130-E1) |
| 16 | MIA11037 | PISTON | 2 | .020" (.50 MM) OS, (ENGINE MARKED 445877-0130-E1) |



MP38610

<https://www.ebooklibonline.com>

Hello dear friend!

Thank you very much for reading.

Enter the link into your browser.

The full manual is available for immediate download.

<https://www.ebooklibonline.com>