

MP12503

KEY	PART NO.	PART NAME	QTY	Serial No.	REMARKS
30	19M7407	CAP SCREW	16	____-120000	M8 X 25
30	19M7407	CAP SCREW	14	120001-____	M8 X 25
30	GV11601	BOLT	2	120001-____	(ENG. SN 707558-)
30	12H303	LOCK WASHER	16		5/16"
30	24M7055	WASHER	16		8.400 X 16 X 1.600 MM, (SUB FOR 24H1289)
31	GV10624	BOLT	2		(ENG. SN -709717)
31	GV10625	BOLT	8		(ENG. SN -709717)
31	GV10625	BOLT	10		(ENG. SN 709718-)
32	GV10585	PLUG	3		(A) (44 MM)
33	GV11153	PLUG	2		(A) (32 MM)
34	GV10639	DOWEL PIN	1		(A) (BODY CYLINDER)
35	GV10648	PLUG	1		
36	GV10647	THREADED NIPPLE	1		
37	GV10646	DRAIN VALVE	1		
38	GV10643	DOWEL PIN	2		
39	GV20174	SHORT BLOCK ASSEMBLY	1		(INCL. CYL. BLOCK, BEARINGS, PISTON RINGS, CONNECTING RODS, CRANKSHAFT, CAMSHAFT AND MISC. PARTS) (ALSO ORDER GV10621, GV10643 AND GV10644)
39	GV11584	CYLINDER BLOCK	1		(INCL. PARTS MARKED "A")
40	GV10626	ORIFICE	1		(SUB FOR GV10622)
41	GV11347	PACKING	1		(A) (SUB FOR GV10650)
42	GV10649	PLATE	1		
43	19M7139	CAP SCREW	3		M8 X 20, (SUB 19M7881)
43	12H303	LOCK WASHER	3		5/16"
44	GV10644	DOWEL PIN	2		
45	GV10653	CLIP	2	120001-____	
46	19M8456	CAP SCREW	2	120001-____	M8 X 100 (ENG. SN 707557-) (SUB FOR 19M7296)
46	12H303	LOCK WASHER	2		5/16" (ENG. SN 707557-)
47	GV11601	BOLT	2		M8 X 119
48	GV10973	GASKET	1		
49	GV11583	PLUG	1		(ENG. SN 707558-)
50	GV11014	O-RING	1		
51	GV10711	TRANSDUCER	1		
52	GV11035	PACKING	1		

<https://www.ebooklibonline.com>

Hello dear friend!

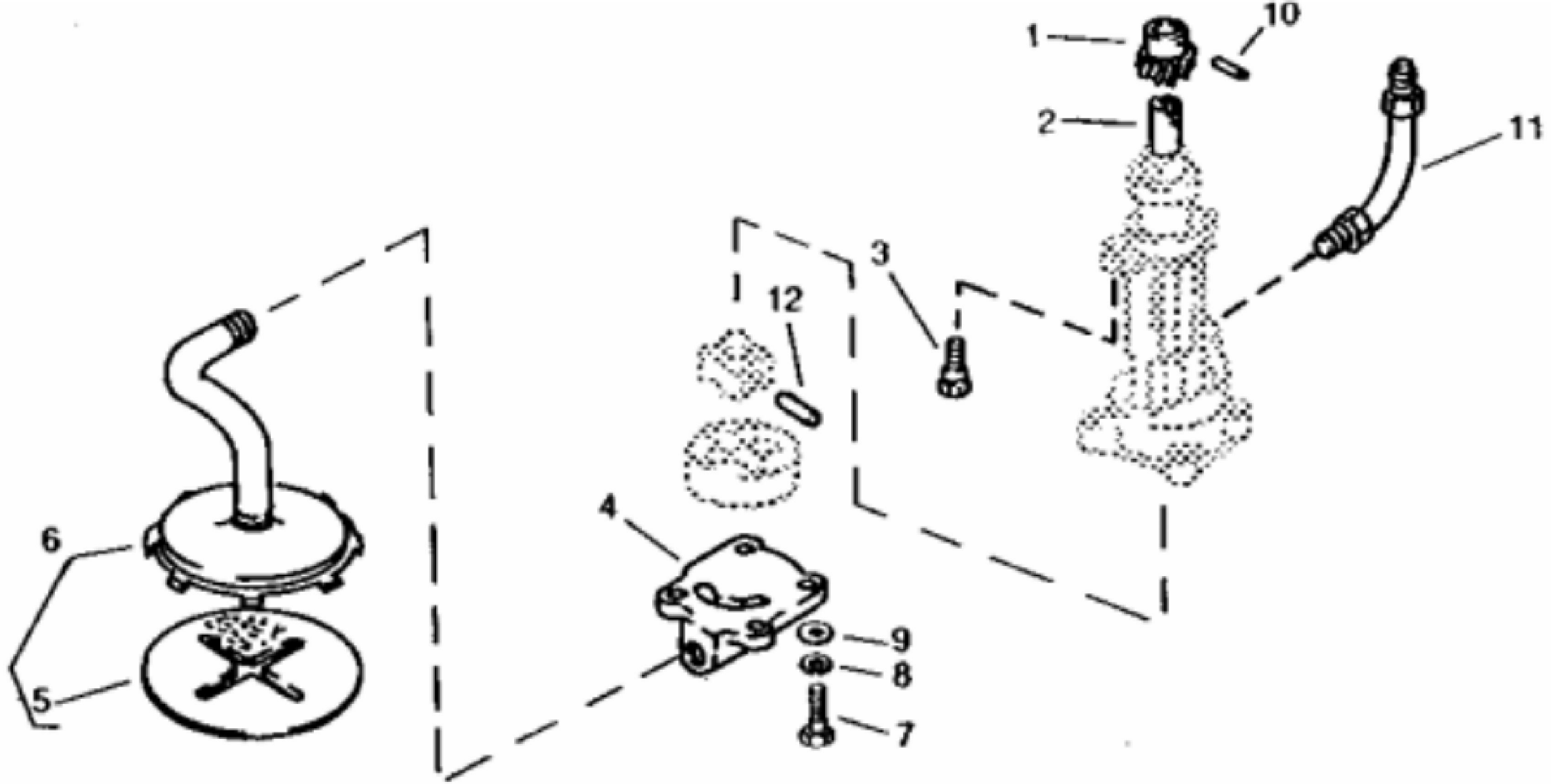
Thank you very much for reading.

Enter the link into your browser.

The full manual is available for immediate download.

<https://www.ebooklibonline.com>

KEY	PART NO.	PART NAME	QTY	Serial No.	REMARKS
53	GV10587	PLUG	1		
54	M89420	PACKING	1		
55	R64853	DRAIN PLUG	1		
..	GV20165	DIESEL ENGINE	1		
..	GV10621	GASKET KIT	1		
..	TY15130	SEALANT	1		(USED BETWEEN CRANKCASE AND CYLINDER BLOCK) (SUB FOR PT94)



HP1224



Suggest:

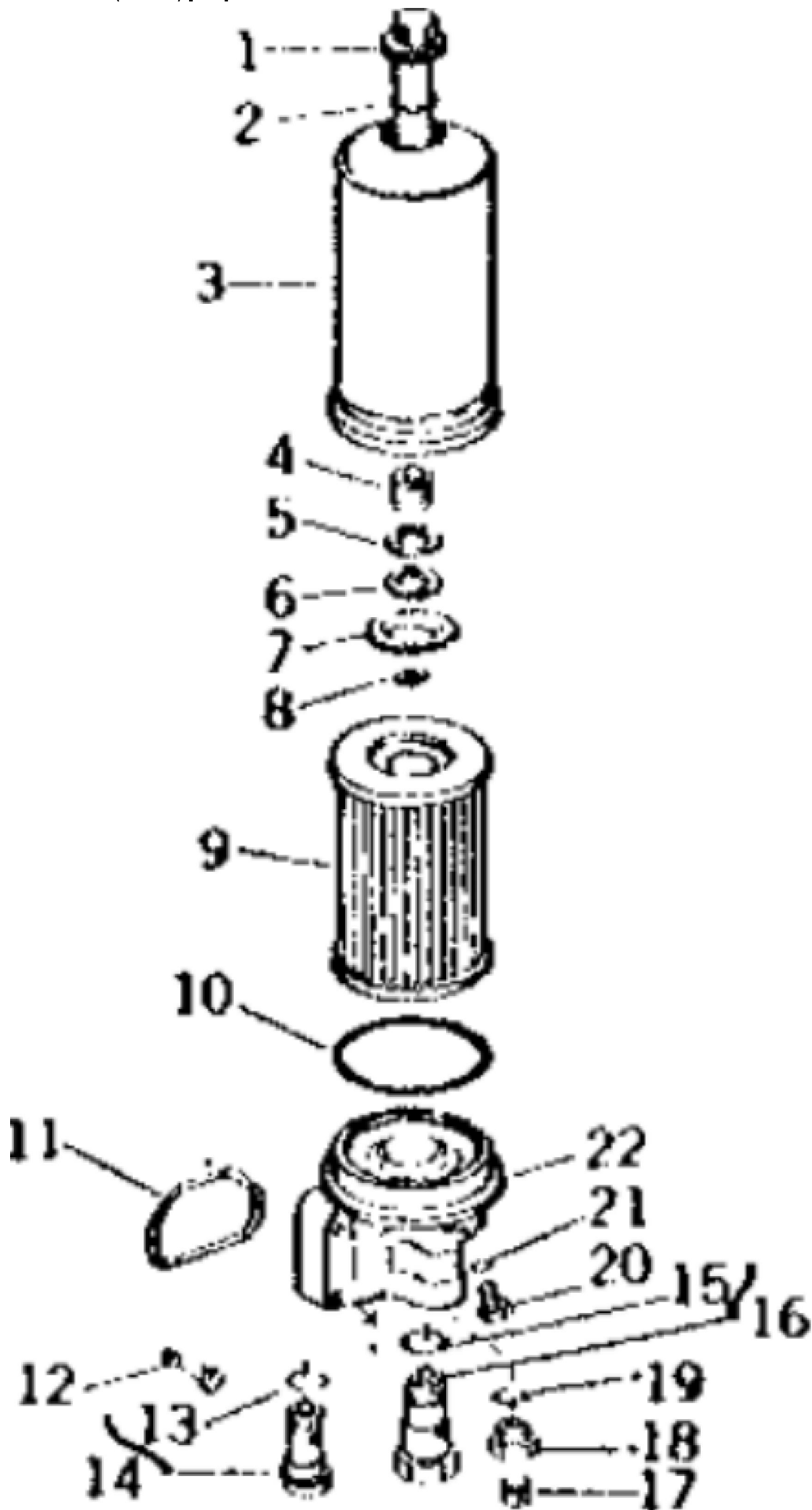
For more complete manuals. Please go to the home page.

<https://www.ebooklibonline.com>

If the above button click is invalid. Please download this document first, and then click the above link to download the complete manual.

Thank you so much for reading

KEY	PART NO.	PART NAME	QTY	REMARKS	
1	GV10777	PINION	1		
2	GV10776	KIT	1	(INCL. SHAFT, ROTOR AND VANE)	
3	19M7407	CAP SCREW	2	M8 X 25	
3	12H303	LOCK WASHER	2	5/16"	
3	24M7055	WASHER	2	8.400 X 16 X 1.600 MM, (SUB FOR 24H1289)	
4	GV10782	COVER	1		
5	GV10784	STRAINER	1		
6	GV10783	STRAINER	1		
7	19M7407	CAP SCREW	4	M8 X 25	
8	12H303	LOCK WASHER	4	5/16"	
9	24M7055	WASHER	4	8.400 X 16 X 1.600 MM, (SUB FOR 24H1289)	
10	GV10778	PIN FASTENER	1		
11	GV11020	PIPE	1		
12	GV10779	PIN FASTENER	1		
..	GV10769	OIL PUMP	1		



<https://www.ebooklibonline.com>

Hello dear friend!

Thank you very much for reading.

Enter the link into your browser.

The full manual is available for immediate download.

<https://www.ebooklibonline.com>