

KEY	PART NO.	PART NAME	QTY	REMARKS
1	M147493	SCREEN	1	(SUB MIU11503)
2	M152566	SCREW	4	
3	MIU12152	SCREW	1	(SUB FOR LG690372)
4	MIU11503	FAN	1	NLA (SUB FOR M152561) (SUB MIA11519)
5	15H623	PIPE PLUG	1	3/8"
6	M153303	SCREW	1	
7	AM135134	FLYWHEEL	1	
8	LG691265	SNAP RING	1	
9	LG693713	PINION	1	STARTER
10	M147508	SCREW	2	
11	MIU11682	TUBE	1	BREATHER (SUB FOR M147499)
12	M147500	COVER	1	NLA, ORDERMIU11631
12	MIU11631	COVER	1	
13	M147564	GASKET	1	
14	M147507	SCREW	2	
15	M147501	BREATHER	1	REED
16	MIA11419	CYLINDER BLOCK	1	(SUB FOR AM132374 OR MIA11101)
17	LG399265	BEARING	1	NLA; ORDER MIA11778; Bushing W/Seal
17	MIA11778	SEAL KIT	1	Bushing W/Seal
18	LG391086S	SEAL	1	(MAGNETO SIDE)
19	LG690959	DOWEL PIN	1	
20	M147497	BUSHING	1	GOVERNOR
21	LG692407	SEAL	1	GOVERNOR
22	M147513	GASKET	1	
23	MIU11958	SEAL	1	PTO SIDE (SUB FOR LG690947 OR MIU11212)
24	AM132352	RESERVOIR	1	
25	AM131611	TUBE	1	OIL DRAIN
26	.....	OIL TUBE	1	
27	T77932	O-RING	1	
28	M144897	CAP	1	
29	GC00331	BOLT	4	NLA; ORDER GX24210; Engine Mounting
29	GX24210	SCREW	4	
30	LG692125	CAP SCREW	12	
31	MIU11635	PLUG	1	(A)
32	MIA13017	SCREEN KIT	1	(A) SUB FOR MIU11634 AND MIA11525

**<https://www.ebooklibonline.com>**

Hello dear friend!

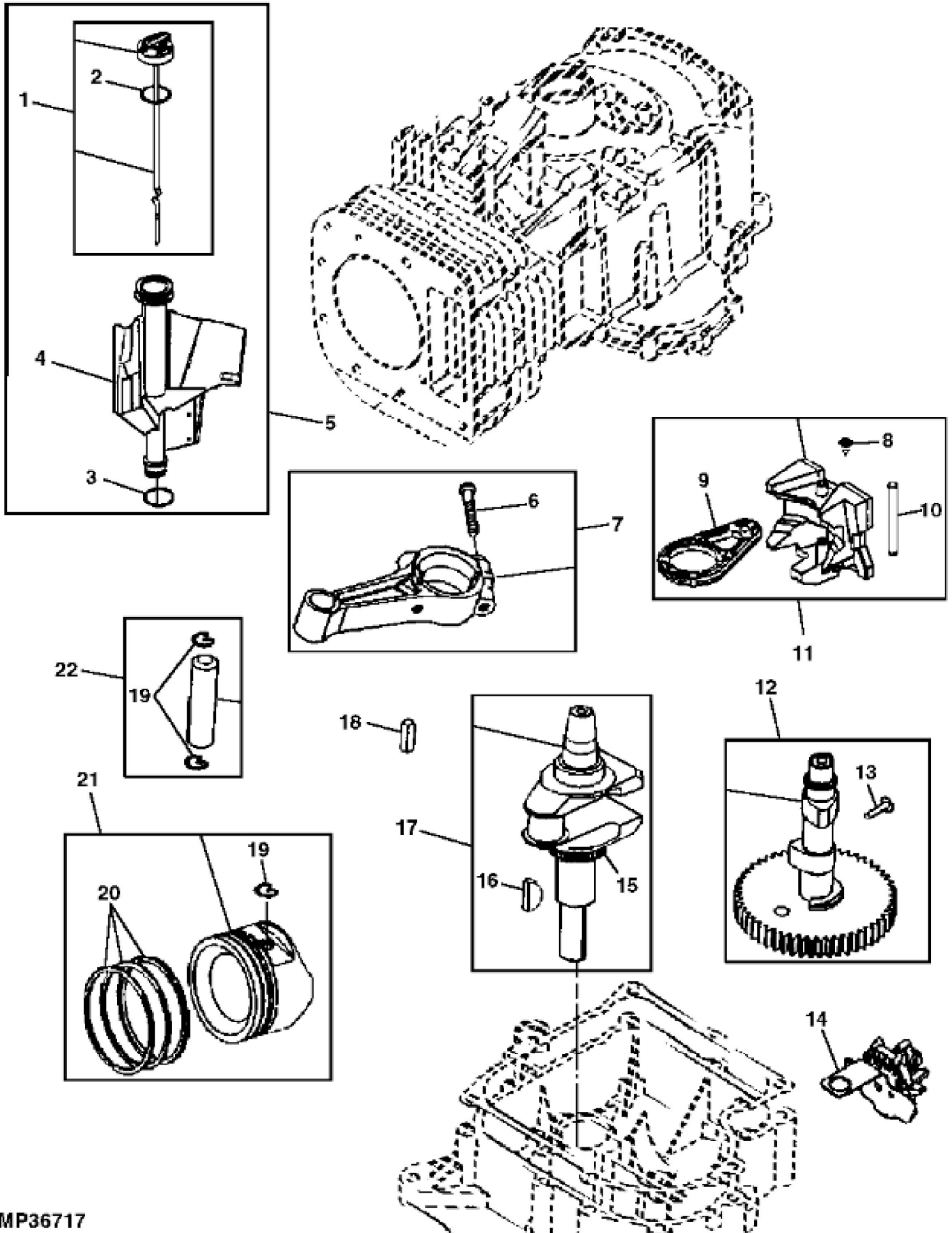
Thank you very much for reading.

Enter the link into your browser.

The full manual is available for immediate download.

**<https://www.ebooklibonline.com>**

KEY	PART NO.	PART NAME	QTY	REMARKS	
33	MIU11638	SCREW	2	(A)	
34	MIU12139	FLYWHEEL	1	(A), FAN	
..	MIA10359	GASOLINE ENGINE	1	(MARKED 31F707-0132-E1) (SUB MIA10805)	
..	MIA11015	GASOLINE ENGINE	1	(SUB FOR MIA10805)	
..	MIA11519	FLYWHEEL KIT	1	(INCLUDES PARTS MARKED (A))	





**Suggest:**

**For more complete manuals. Please go to the home page.**

**<https://www.ebooklibonline.com>**

**If the above button click is invalid. Please download this document first, and then click the above link to download the complete manual.**

**Thank you so much for reading**

KEY	PART NO.	PART NAME	QTY	REMARKS
1	AM135145	DIPSTICK	1	
2	LG691031	O-RING	1	
3	LG691032	SEAL	1	
4	M152554	DIPSTICK TUBE	1	
5	AM135144	DIPSTICK TUBE	1	
6	MIU11051	SCREW	2	
7	MIA10624	CONNECTING ROD	1	
8	MIU11437	PLUG	1	
9	MIU11436	LINK	2	(SUB FOR M152555)
10	M152556	PIN	1	
11	MIA10989	COUNTERWEIGHT	1	(SUB FOR AM132354)
12	AM135141	CAMSHAFT	1	(ENGINE MARKED 31F707-0132-E1)
12	MIA11377	CAMSHAFT	1	(ENGINE MARKED 31P707-0124-E1) (SUB FOR MIA10915)
13	LG690564	TAPPET	2	
14	LG691968	OIL SLINGER	1	
15	M147512	GEAR	1	TIMING
16	LG691639	SHAFT KEY	1	
17	MIA11844	CRANKSHAFT	1	(SUB FOR AM132351)
18	LG222698S	SHAFT KEY	1	FLYWHEEL
19	M152553	LOCK	2	
20	MIA10691	PISTON RING KIT	1	(STD) (ENGINE MARKED 31F707-0132-E1) SUB FOR M150897 AND M147570;USE WITH AM134715
20	MIU11639	PISTON RING KIT	1	.50 MM (.020") OS, (ENGINE MARKED 31P707-0124-E1) (SUB FOR MIA10692 OR M147571)
21	MIA10844	PISTON	1	(ENGINE MARKED 31F707-0132-E1) (SUB FOR AM134715)
21	MIA11430	PISTON	1	.50 MM (.020") OS, (SUB FOR AM134716 OR MIA10918 OR MIA10858)
21	MIA10690	PISTON	1	(ENGINE MARKED 31P707-0124-E1) (SUB FOR MIA10981) (SUB MIA11421)
22	AM132347	PISTON PIN	1	



**<https://www.ebooklibonline.com>**

Hello dear friend!

Thank you very much for reading.

Enter the link into your browser.

The full manual is available for immediate download.

**<https://www.ebooklibonline.com>**