

G5587

KEY	PART NO.	PART NAME	QTY	Serial No.	REMARKS
1	HE134-0673	GEAR	1		(*)
2	HE134-2433	SHIELD	1	001073-____	
3	HE134-1895	FLYWHEEL	1	____-001072	(*)
3	HE134-2467	FLYWHEEL	1	001073-____	
4	HE105-0353	GEAR	1		(SUB HE105-0322 AND HE104-0032) (WITH HE104-0032)
5	HE517-0082	BALL	1		
6	HE104-0817	CRANKSHAFT	1		
7	SHAFT KEY	1		3/8" SQ X 2-1/2" (CUT FROM H64376 KEY STOCK)
8	26H70	SHAFT KEY	2		1/8" X 1/2"
9	26H77	SHAFT KEY	1		3/16" X 3/4"
10	HE104-0043	WASHER	1		
11	U11030	SNAP RING	1		(SUB FOR HE518-0014)
12	24H1287	WASHER	3	001073-____	9/32" X 5/8" X 0.065", (SUB FOR HE526-0018) (SUB 24H1287)
13	N14820	SELF-LOCKING SCREW	3	001073-____	1/4" X 1/2"
14	24H1287	WASHER	1	____-001072	9/32" X 5/8" X 0.065"
14	HE526-0262	WASHER	1	001073-____	
15	12H293	LOCK WASHER	1		7/16"
16	HE104-0170	SCREW	1		

<https://www.ebooklibonline.com>

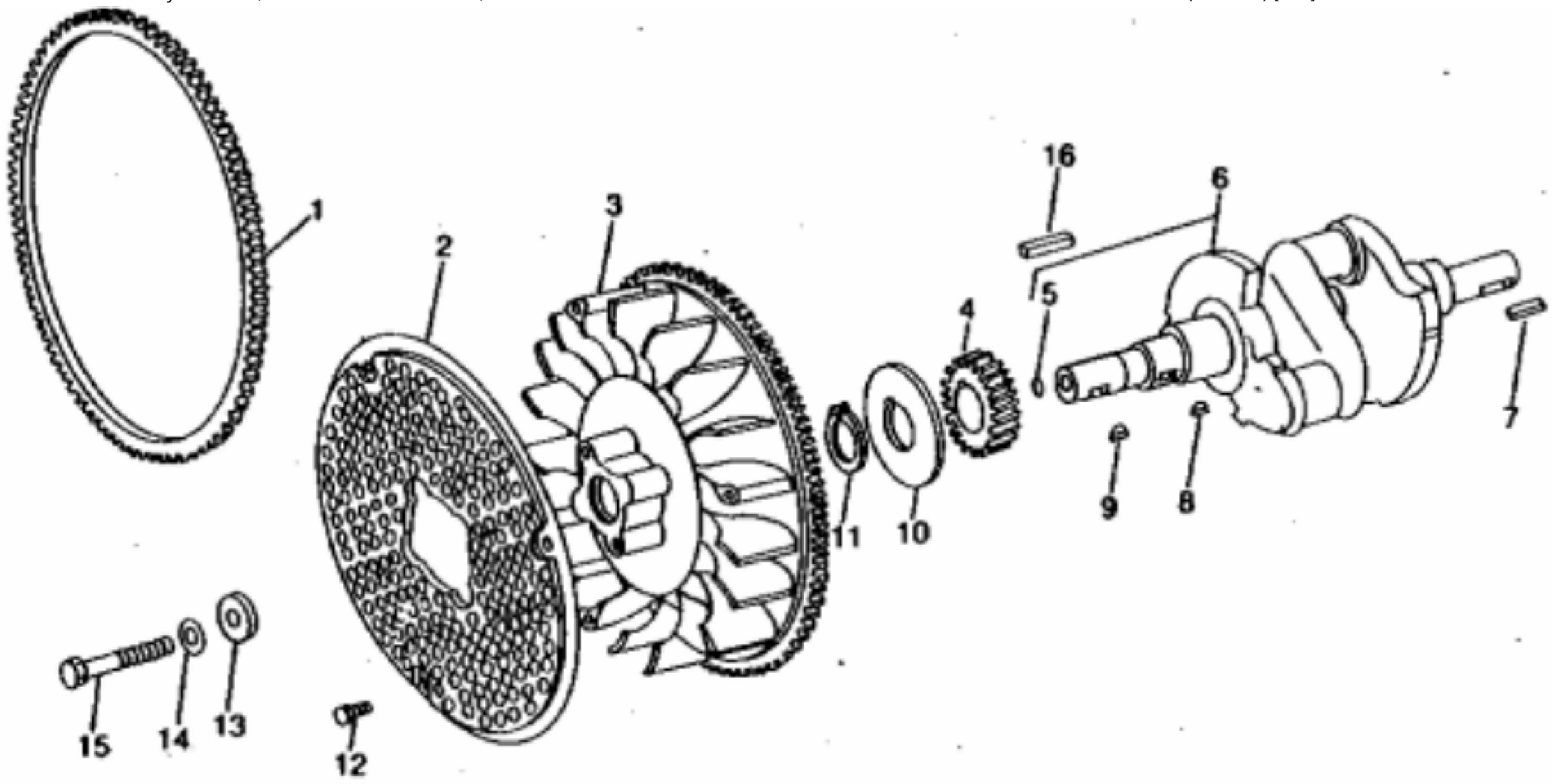
Hello dear friend!

Thank you very much for reading.

Enter the link into your browser.

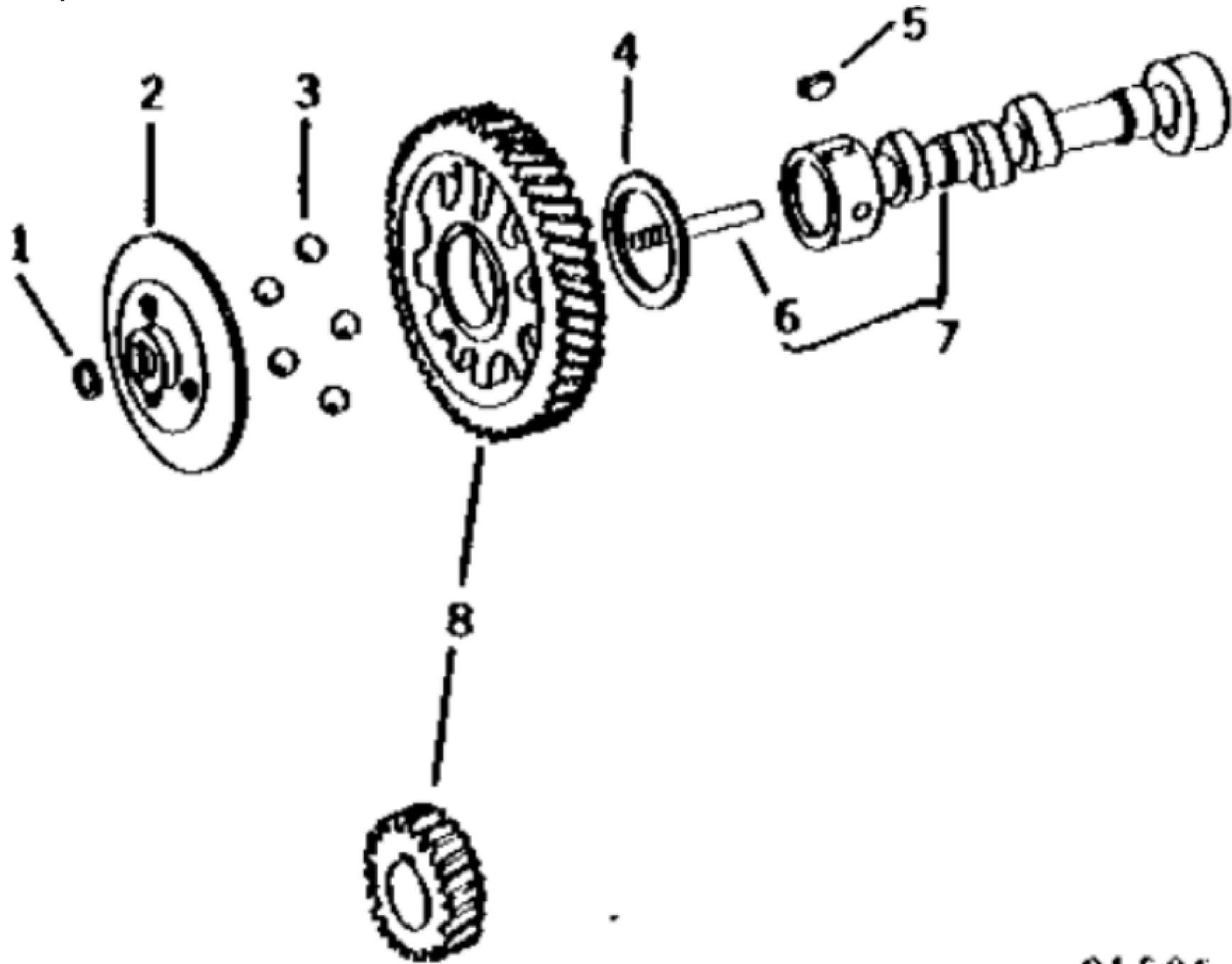
The full manual is available for immediate download.

<https://www.ebooklibonline.com>



MP7093

KEY	PART NO.	PART NAME	QTY	REMARKS
1	HE134-0673	GEAR	1	(*)
2	HE134-2433	SHIELD	1	
3	HE134-2467	FLYWHEEL	1	
4	HE104-0032	GEAR	1	
5	HE517-0082	BALL	1	
6	HE104-1698	CRANKSHAFT	1	(SUB FOR HE104-0865)
7	SHAFT KEY	1	3/8" SQ X 2-1/2" (CUT FROM H64376 KEY STOCK)
8	26H70	SHAFT KEY	1	1/8" X 1/2"
9	26H11	SHAFT KEY	1	3/16" X 5/8", (SUB FOR HE515-0227)
10	HE104-0043	WASHER	1	
11	U11030	SNAP RING	1	(SUB FOR HE518-0014)
12	N14820	SELF-LOCKING SCREW	3	1/4" X 1/2"
13	HE526-0262	WASHER	1	
14	12H293	LOCK WASHER	1	7/16"
15	HE104-0170	SCREW	1	
16	HE515-0284	KEY	1	



65585



Suggest:

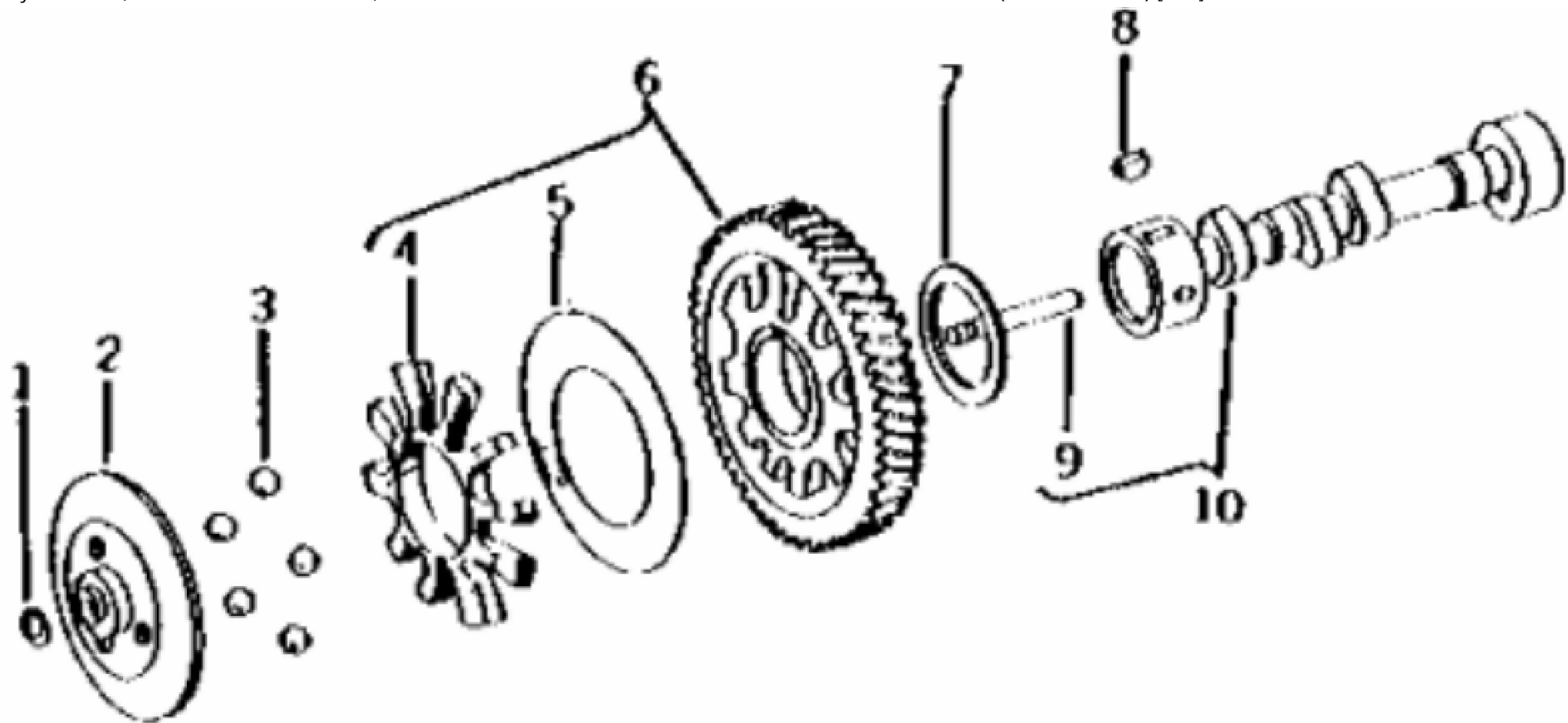
For more complete manuals. Please go to the home page.

<https://www.ebooklibonline.com>

If the above button click is invalid. Please download this document first, and then click the above link to download the complete manual.

Thank you so much for reading

KEY	PART NO.	PART NAME	QTY	Serial No.	REMARKS	
1	HE150-0078	SNAP RING	1			
2	HE150-0612	RETAINER	1		(SUB HE150-1520)	
3	HE510-0015	BALL	5	001072-_____		
4	HE105-0541	THRUST WASHER	1		(SUB FOR HE105-0004)	
5	26H70	SHAFT KEY	1		1/8" X 1/2"	
6	HE105-0639	CAMSHAFT	1		(SUB FOR HE105-0402)	
7	HE105-0594	CAMSHAFT	1		(SUB FOR HE105-0379, HE105-0382 AND HE105-0309)	
8	HE105-0353	GEAR	1		(SUB HE105-0332 AND HE104-0032)	



G11272

<https://www.ebooklibonline.com>

Hello dear friend!

Thank you very much for reading.

Enter the link into your browser.

The full manual is available for immediate download.

<https://www.ebooklibonline.com>