

ETN133338AR1

KEY	PART NO.	PART NAME	QTY	REMARKS	
1	19M7866	SCREW	4	M8 X 20	
2	SJ24019	RADIATOR	1		
3	SJ24132	BRACKET	1	RH	
4	SJ24133	BRACKET	1	LH	
5	SU313538	HOSE	1		
6	SU321909	CLAMP	4		
7	SU41387	SEAL	1		
8	SU41626	HOSE	1		
9	SU48884	PLUG	1		

**<https://www.ebooklibonline.com>**

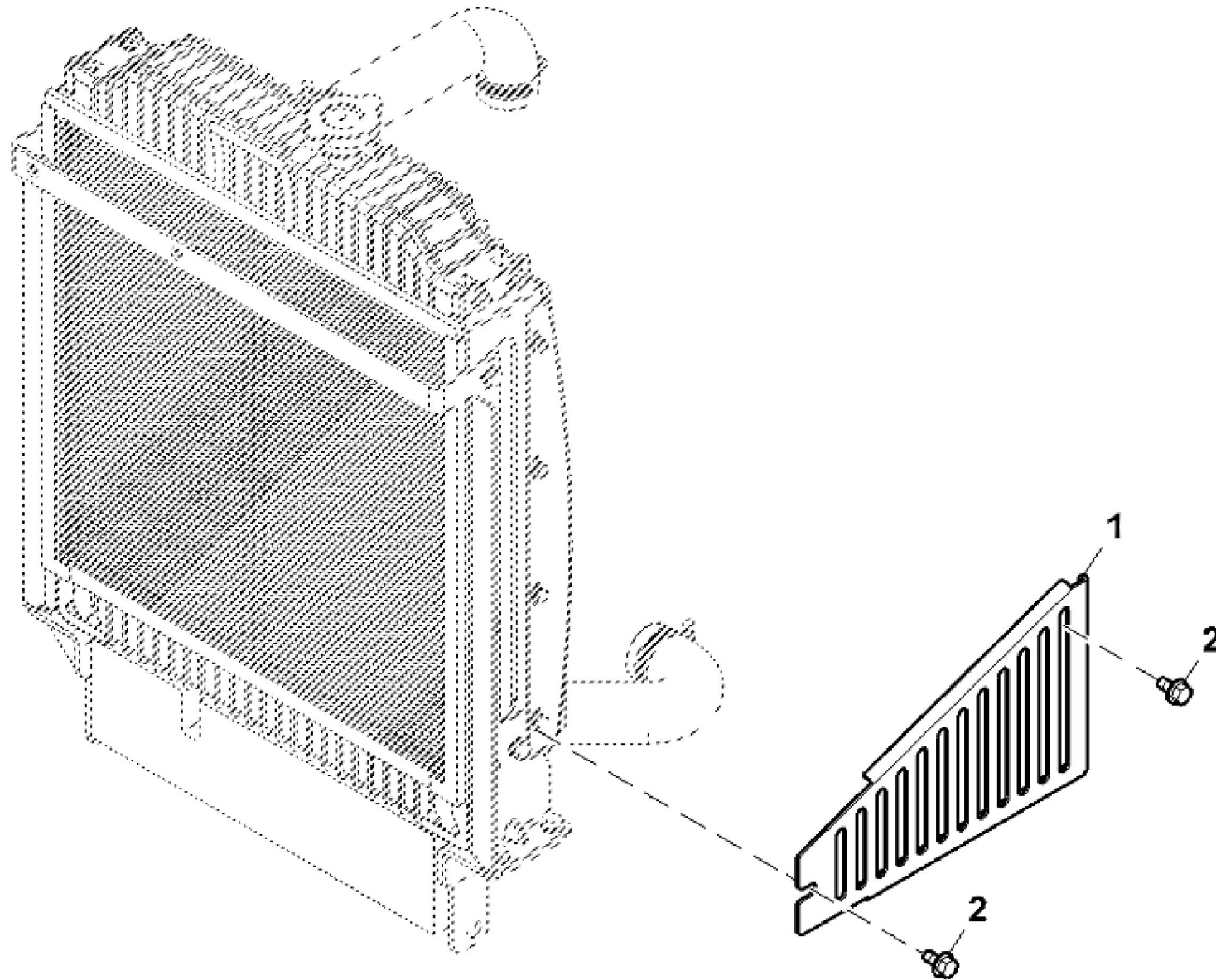
Hello dear friend!

Thank you very much for reading.

Enter the link into your browser.

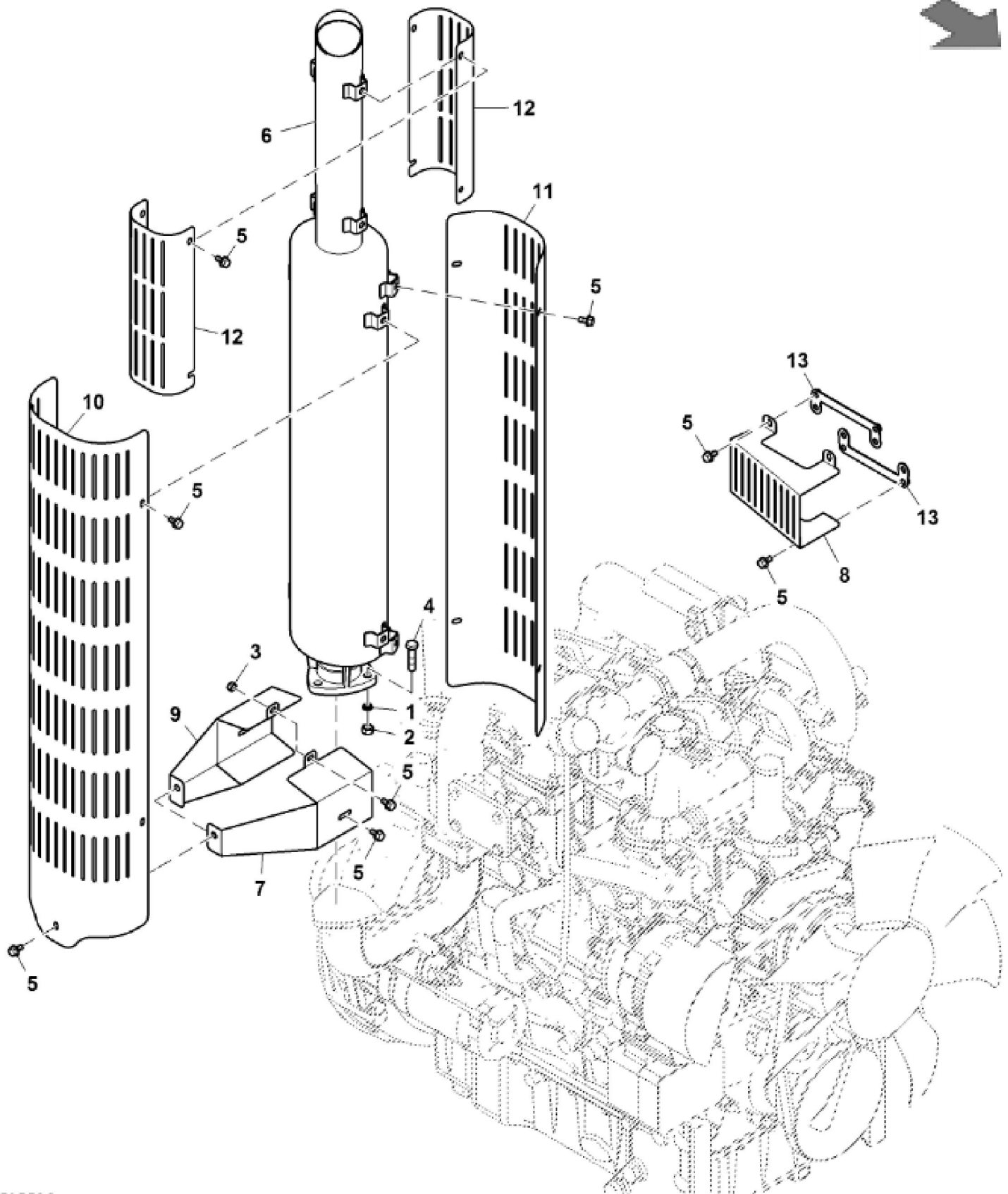
The full manual is available for immediate download.

**<https://www.ebooklibonline.com>**



ETN138523AR1

KEY	PART NO.	PART NAME	QTY	REMARKS	
1	SU42981	FINGER GRATE	1		
2	19M7774	SCREW	3	M6 X 12	



ETN159553A



**Suggest:**

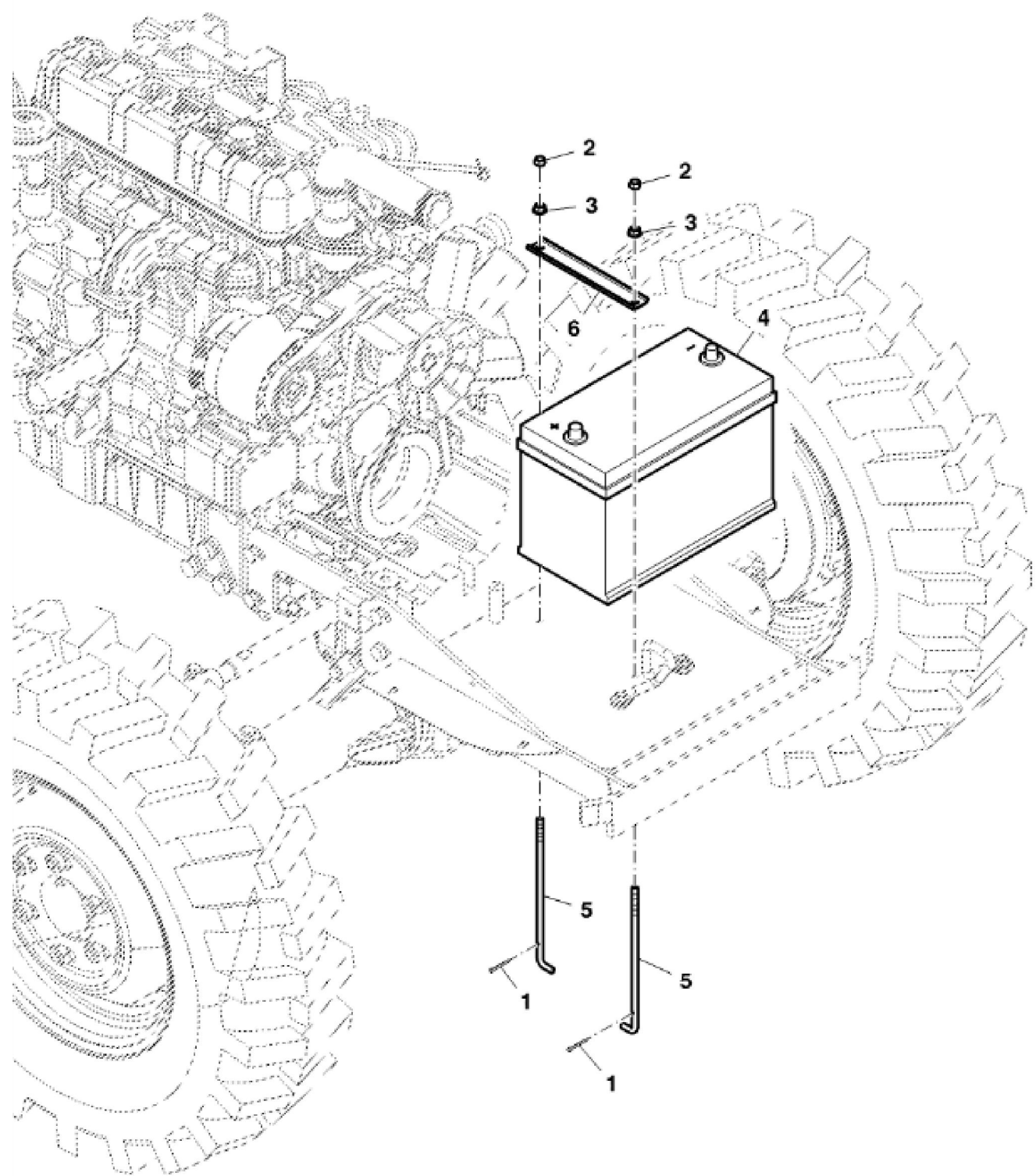
**For more complete manuals. Please go to the home page.**

**<https://www.ebooklibonline.com>**

**If the above button click is invalid. Please download this document first, and then click the above link to download the complete manual.**

**Thank you so much for reading**

KEY	PART NO.	PART NAME	QTY	REMARKS	
1	SU318990	LOCK WASHER	3		
2	14M7029	NUT	3	M8	
3	14M7567	NUT	1	M6	
4	19M7298	CAP SCREW	3	M8 X 35	
5	19M7774	SCREW	20	M6 X 12	
6	SJ30204	MUFFLER	1	SUB FOR SJ22399	
7	SJ27536	GUARD	1		
8	SU46874	GUARD	1		
9	SU46229	GUARD	1		
10	SU46231	GUARD	1		
11	SU47956	GUARD	1		
12	SU46901	GUARD	2		
13	SU46875	GUARD	2		



ETN120196A

**<https://www.ebooklibonline.com>**

Hello dear friend!

Thank you very much for reading.

Enter the link into your browser.

The full manual is available for immediate download.

**<https://www.ebooklibonline.com>**