

ETN133338AR1

KEY	PART NO.	PART NAME	QTY	REMARKS	
1	19M7866	SCREW	4	M8 X 20	
2	SJ24019	RADIATOR	1		
3	SJ24132	BRACKET	1	RH	
4	SJ24133	BRACKET	1	LH	
5	SU313538	HOSE	1		
6	SU321909	CLAMP	4		
7	SU41387	SEAL	1		
8	SU41626	HOSE	1		
9	SU48884	PLUG	1		

<https://www.ebooklibonline.com>

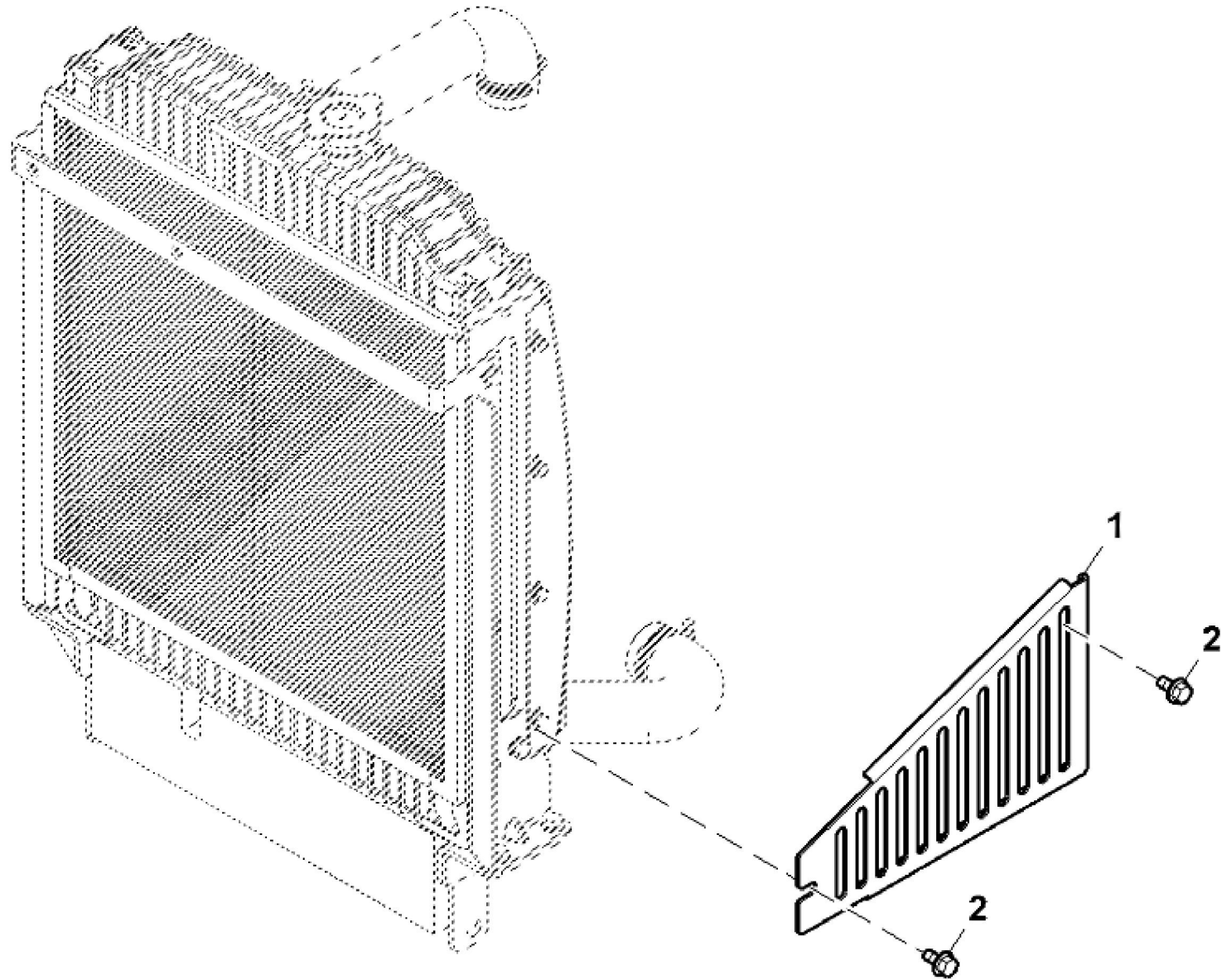
Hello dear friend!

Thank you very much for reading.

Enter the link into your browser.

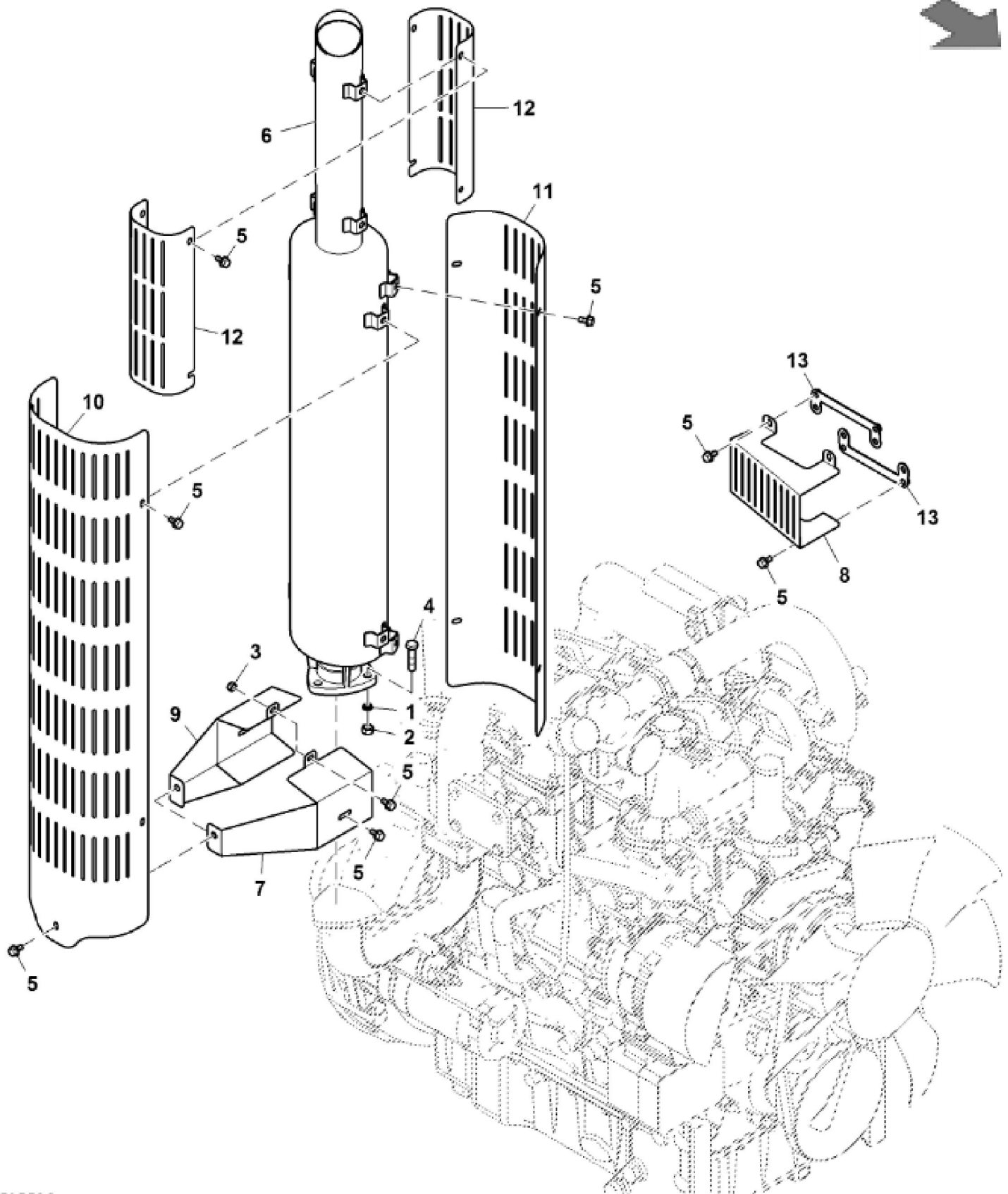
The full manual is available for immediate download.

<https://www.ebooklibonline.com>



ETN138523AR1

KEY	PART NO.	PART NAME	QTY	REMARKS	
1	SU42981	FINGER GRATE	1		
2	19M7774	SCREW	3	M6 X 12	



ETN159553A



Suggest:

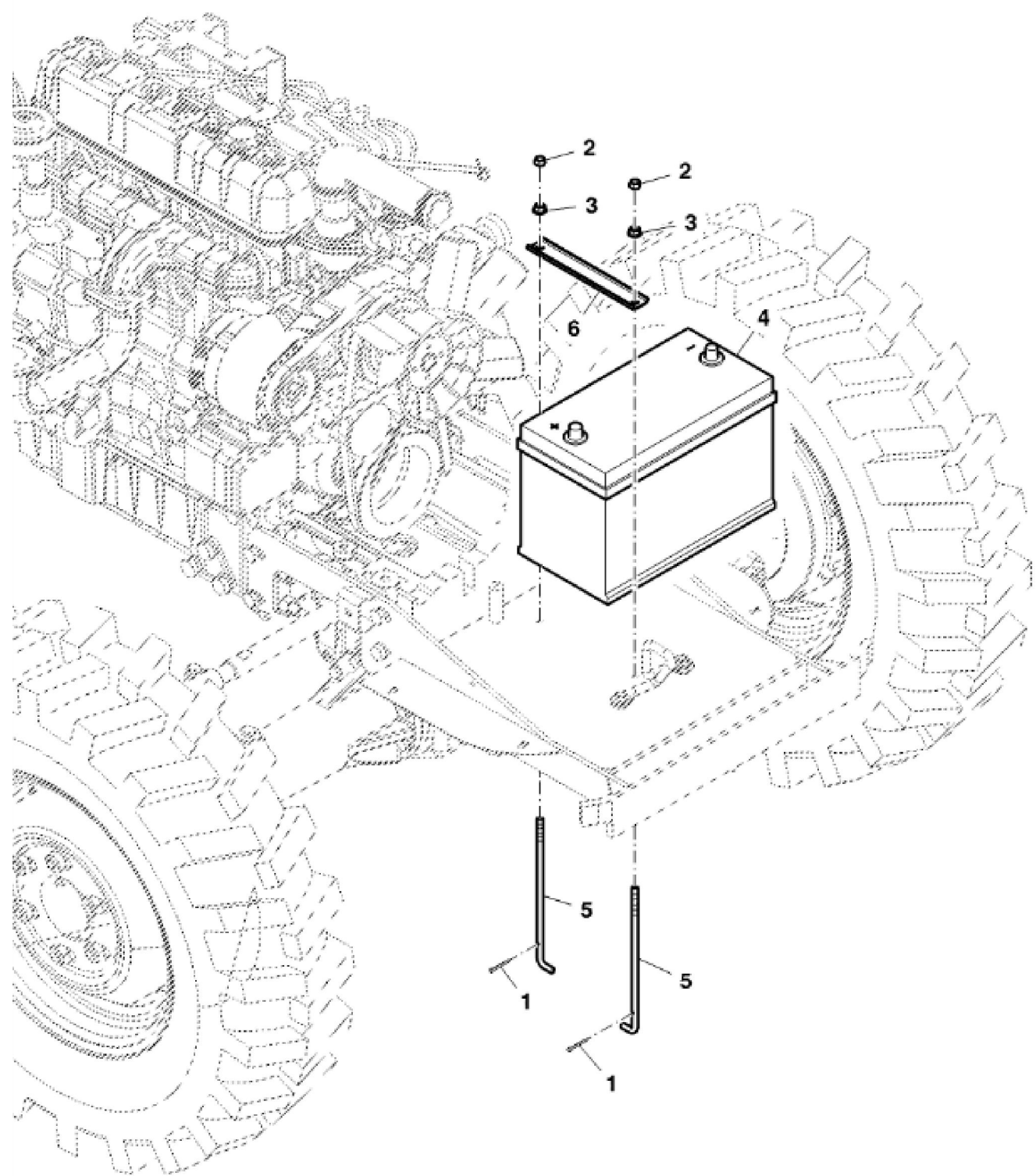
For more complete manuals. Please go to the home page.

<https://www.ebooklibonline.com>

If the above button click is invalid. Please download this document first, and then click the above link to download the complete manual.

Thank you so much for reading

KEY	PART NO.	PART NAME	QTY	REMARKS	
1	SU318990	LOCK WASHER	3		
2	14M7029	NUT	3	M8	
3	14M7567	NUT	1	M6	
4	19M7298	CAP SCREW	3	M8 X 35	
5	19M7774	SCREW	20	M6 X 12	
6	SJ30204	MUFFLER	1	SUB FOR SJ22399	
7	SJ27536	GUARD	1		
8	SU46874	GUARD	1		
9	SU46229	GUARD	1		
10	SU46231	GUARD	1		
11	SU47956	GUARD	1		
12	SU46901	GUARD	2		
13	SU46875	GUARD	2		



ETN120196A

<https://www.ebooklibonline.com>

Hello dear friend!

Thank you very much for reading.

Enter the link into your browser.

The full manual is available for immediate download.

<https://www.ebooklibonline.com>