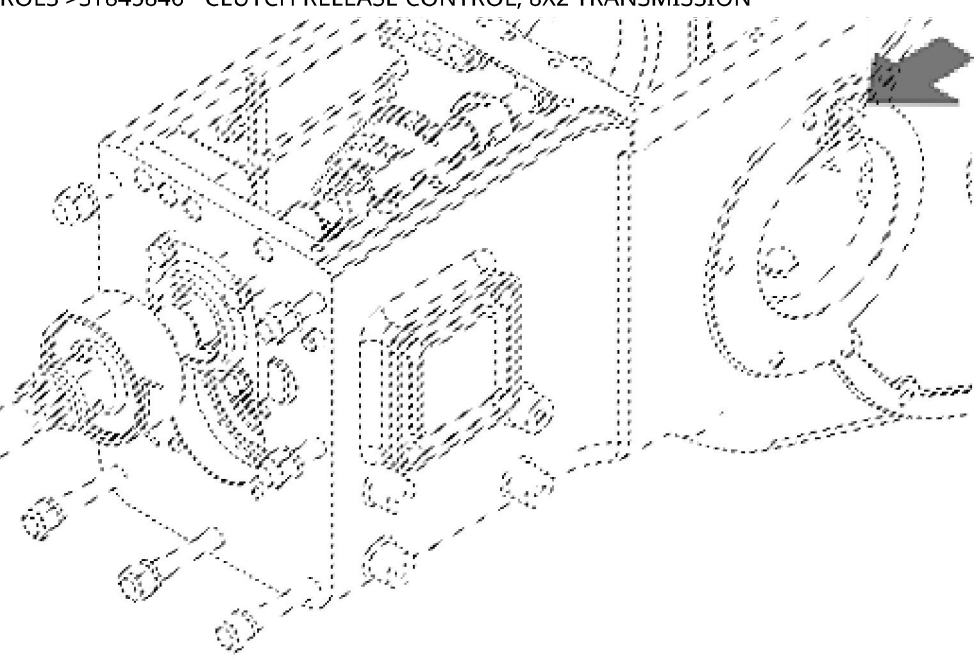


ETN132702AR1



KEY	PART NO.	PART NAME	QTY	Serial No.	REMARKS
1	SU314446	HOLDER	1		
2	SJ326807	BEARING	1		
3	SU314445	HOLDER	1		
4	SU320058	BEARING	1		
5	SU314764	SPRING	1		
6	SU314447	FORK	1		
7	SJ22319	SHIFTER	1	____-614480	
7	SJ30629	SHIFTER	1	614481-____	
8	SU318732	BOLT	4		
9	SU318990	LOCK WASHER	3		
10	14M7029	NUT	1		M8
11	34M7047	SPRING PIN	1		8 X 40 mm

<https://www.ebooklibonline.com>

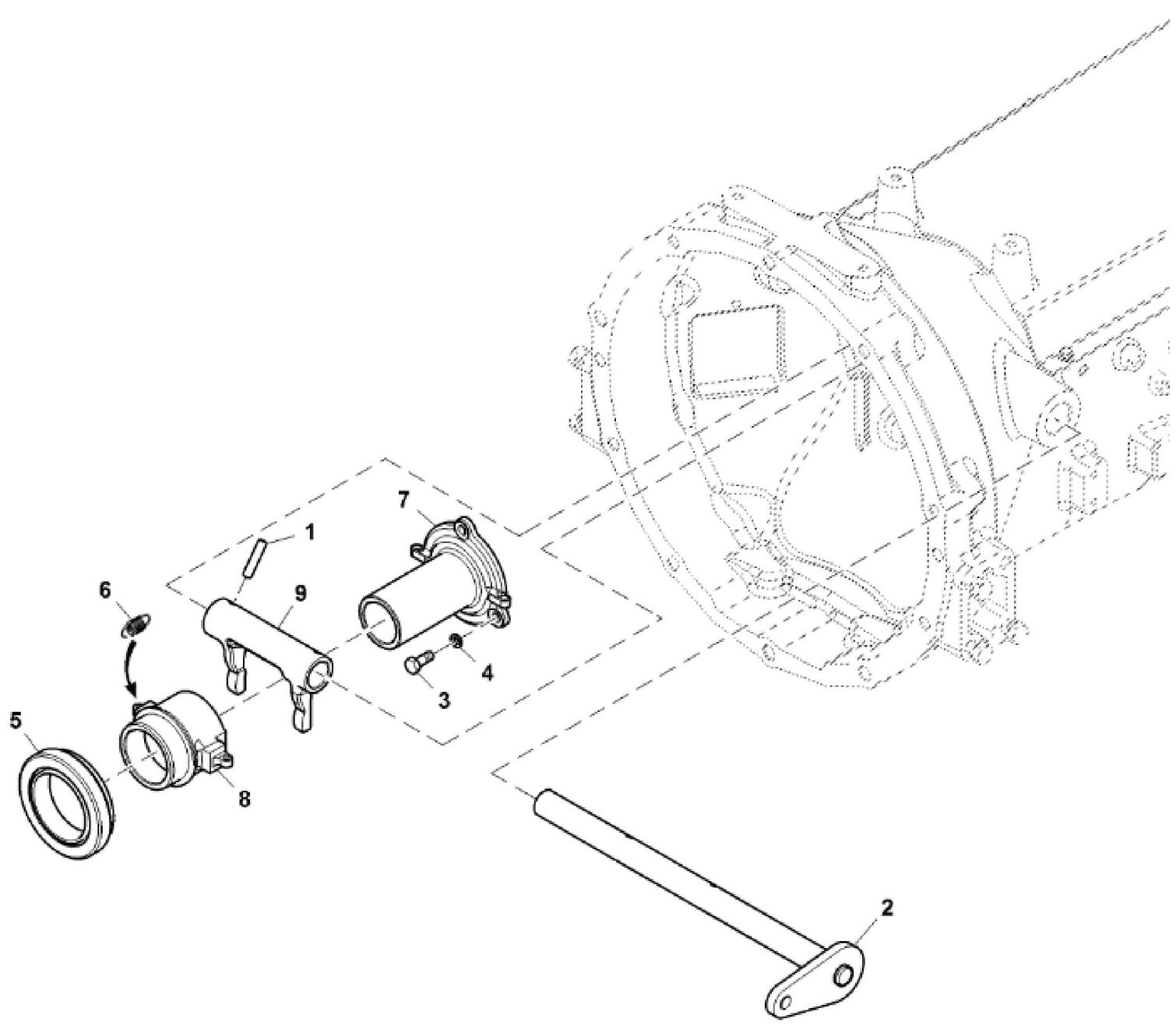
Hello dear friend!

Thank you very much for reading.

Enter the link into your browser.

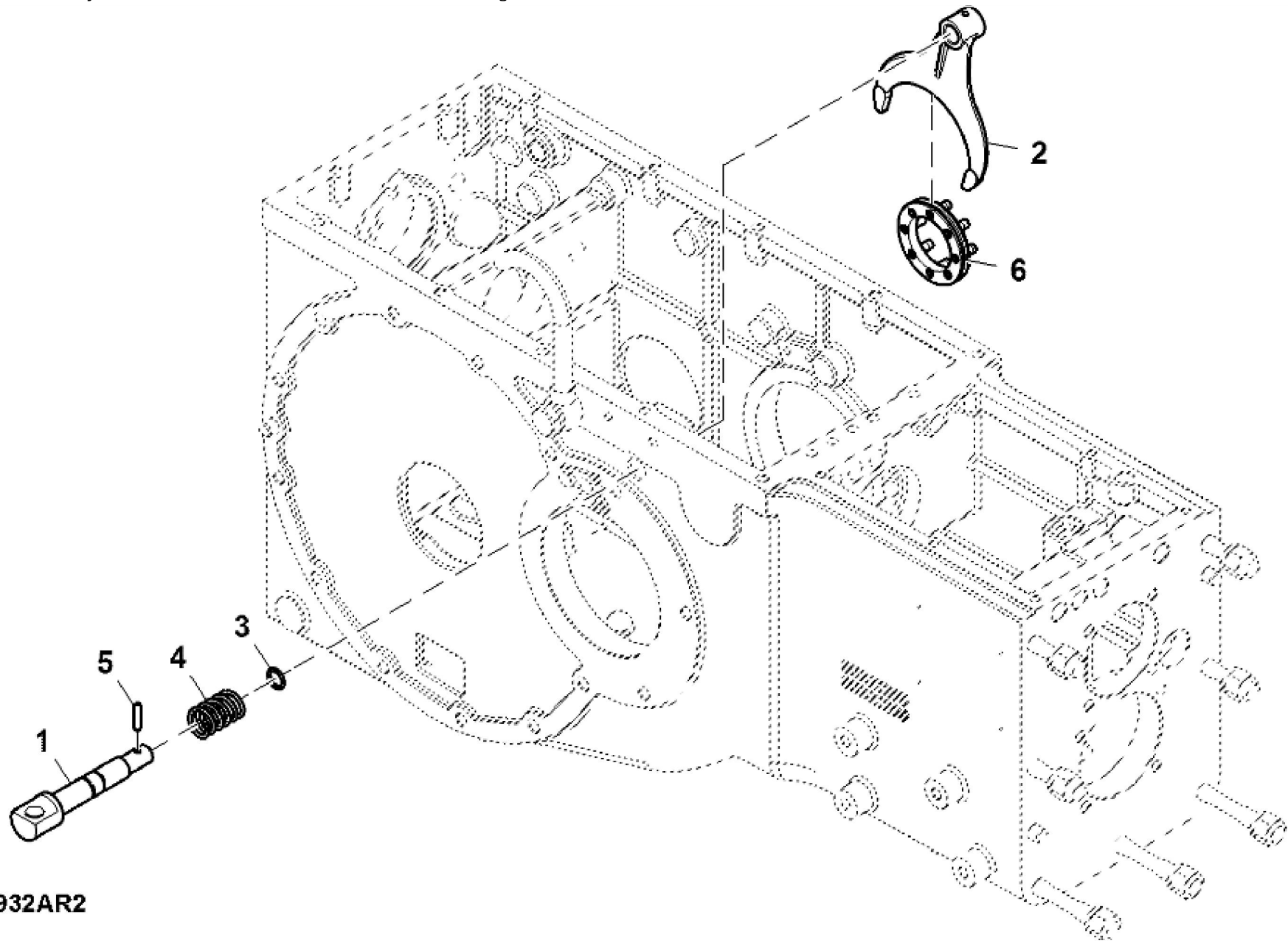
The full manual is available for immediate download.

<https://www.ebooklibonline.com>



ETN122272AR1

KEY	PART NO.	PART NAME	QTY	REMARKS	
1	34M7217	SPRING PIN	2	8 X 35 mm	
2	SJ21299	SHIFTER	1		
3	SU318732	BOLT	3		
4	SU318990	LOCK WASHER	3		
5	SU320056	BEARING	1		
6	SU324333	SPRING	2		
7	SU37797	HOLDER	1		
8	SU43091	HOLDER	1		
9	SU39782	FORK	1		



ETN132932AR2



Suggest:

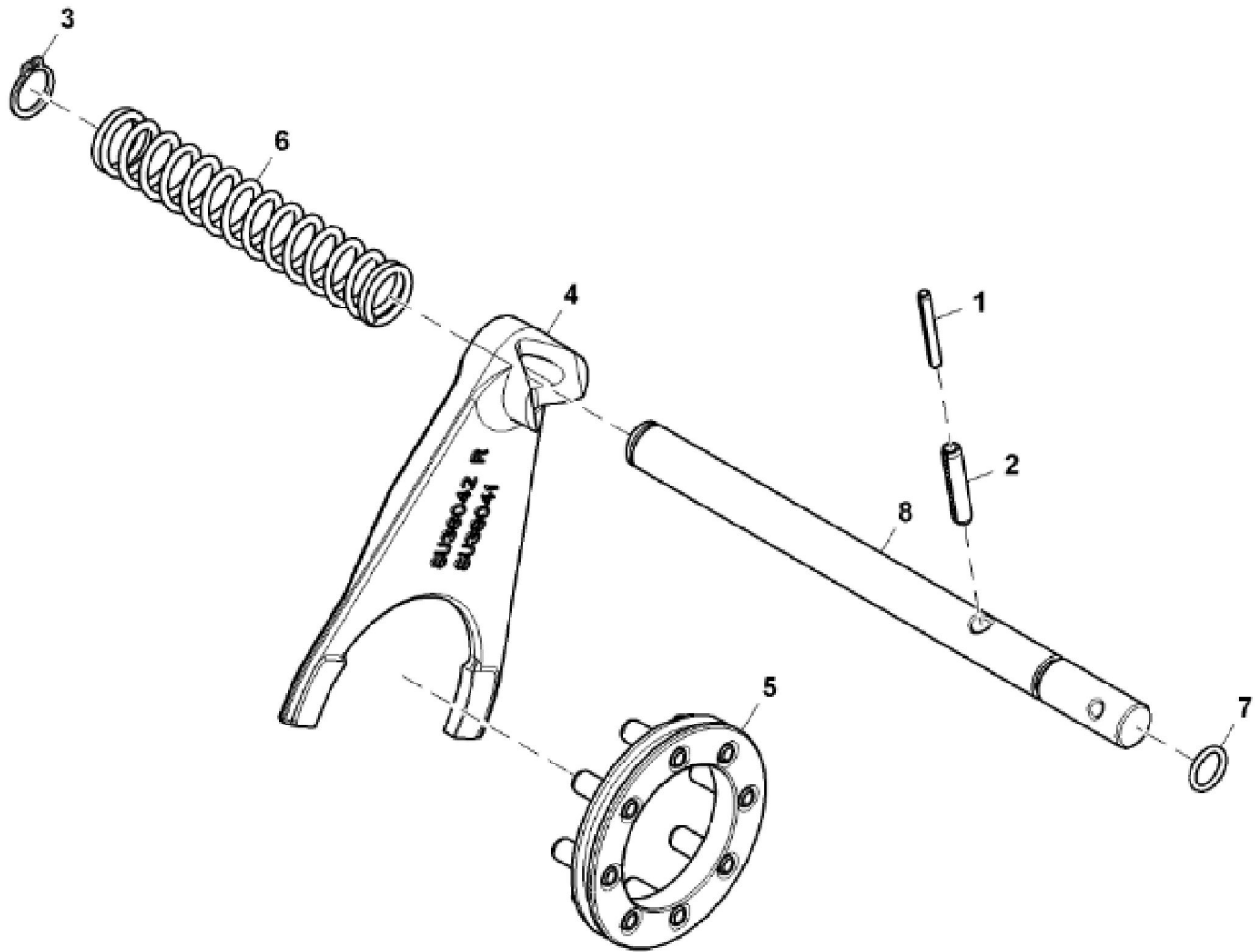
For more complete manuals. Please go to the home page.

<https://www.ebooklibonline.com>

If the above button click is invalid. Please download this document first, and then click the above link to download the complete manual.

Thank you so much for reading

KEY	PART NO.	PART NAME	QTY	REMARKS	
1	SU314629	SHAFT	1		
2	SU324469	FORK	1		
3	SU317895	O-RING	1		
4	SU314633	SPRING	1		
5	34M7031	SPRING PIN	1	5 X 24 mm	
6	SJ329038	SHIFTER	1		



ETN122192AR1

<https://www.ebooklibonline.com>

Hello dear friend!

Thank you very much for reading.

Enter the link into your browser.

The full manual is available for immediate download.

<https://www.ebooklibonline.com>