

GX259278

KEY	PART NO.	PART NAME	QTY	REMARKS	
1	MIA12600	GASOLINE ENGINE	1	MARKED FS730V-AS15R	
2	MIU14018	GUARD	1		
3	AM145358	PUSH PULL CABLE	1	Throttle Control	
4	GX24210	SCREW	4		

**<https://www.ebooklibonline.com>**

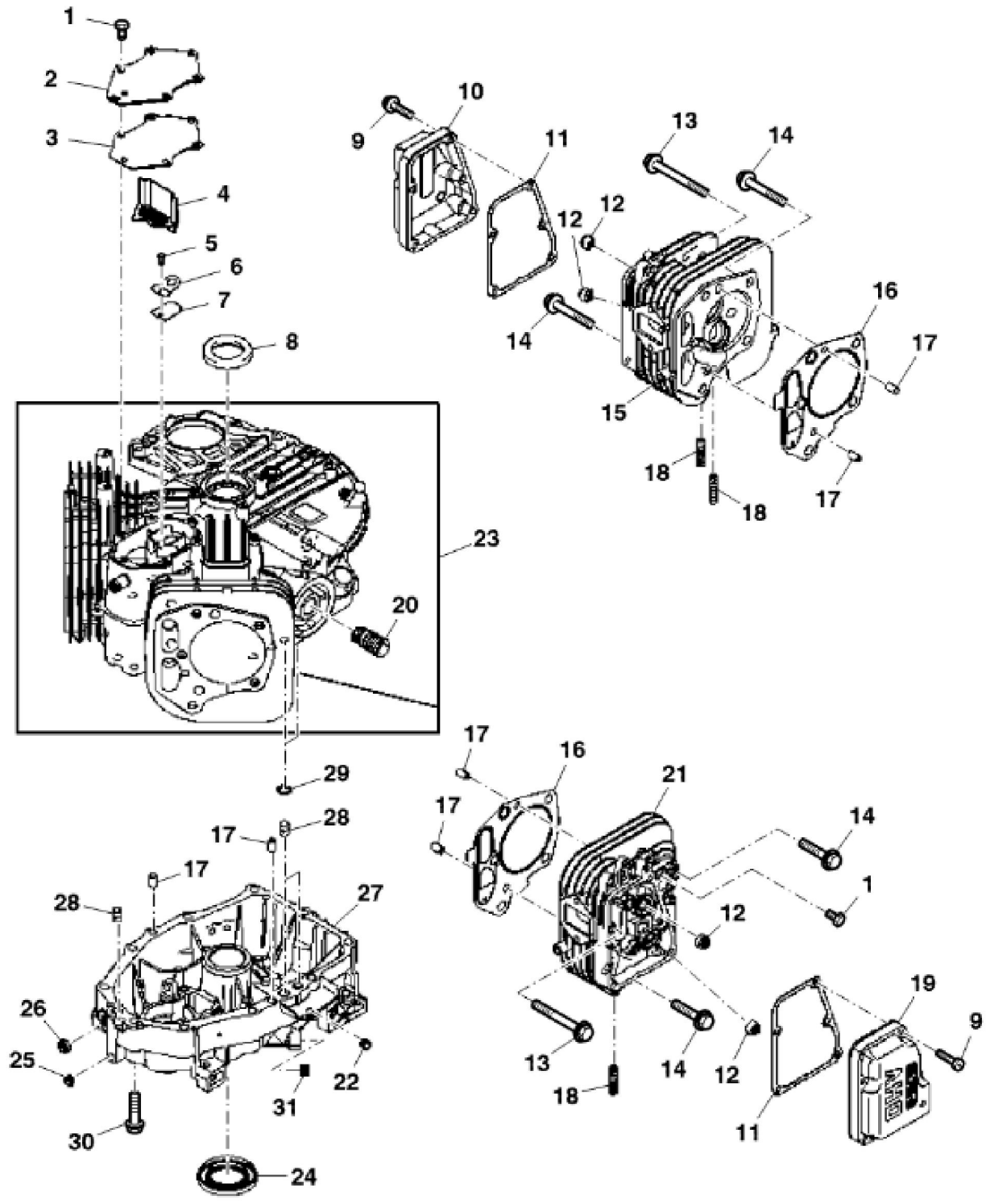
Hello dear friend!

Thank you very much for reading.

Enter the link into your browser.

The full manual is available for immediate download.

**<https://www.ebooklibonline.com>**



KEY	PART NO.	PART NAME	QTY	REMARKS
1	MIU11325	BOLT	6	6 x 12
2	MIU12397	COVER	1	
3	MIU12395	GASKET	1	
4	MIU12398	PIPE	1	
5	21M7244	SCREW	1	M4 X 8
6	MIU13821	PLATE	1	
7	MIU11769	VALVE	1	
8	M149281	SEAL	1	
9	19M7863	SCREW	10	M6 X 25
10	MIU13778	CASE	1	
11	MIU12394	GASKET	2	
12	M138389	SEAL	4	
13	MIU12209	BOLT	6	10 x 25
14	MIU11776	BOLT	4	10 x 1.25 x 50
15	MIU12390	CYLINDER HEAD	1	
16	MIU12396	ENGINE CYLINDER HEAD GASKET	2	
17	M74252	PIN	6	
18	MIU11949	BOLT	4	8 x 22
19	MIU14499	COVER	1	
20	MIU13767	ADAPTER FITTING	1	
21	MIU12391	CYLINDER HEAD	1	
22	M123645	DRAIN PLUG	1	
23	MIA12337	CRANKCASE	1	
24	MIU12400	SEAL	1	
25	MIU12401	PLUG	1	
26	M151774	SEAL	1	
27	MIA12754	CRANKCASE	1	INCLUDES MIU14001 AND M123645 AND MIU12401
28	MIU14507	PIPE	3	
29	M76104	O-RING	2	
30	19M8319	SCREW	10	M8 X 50
31	MIU14001	PLUG	1	



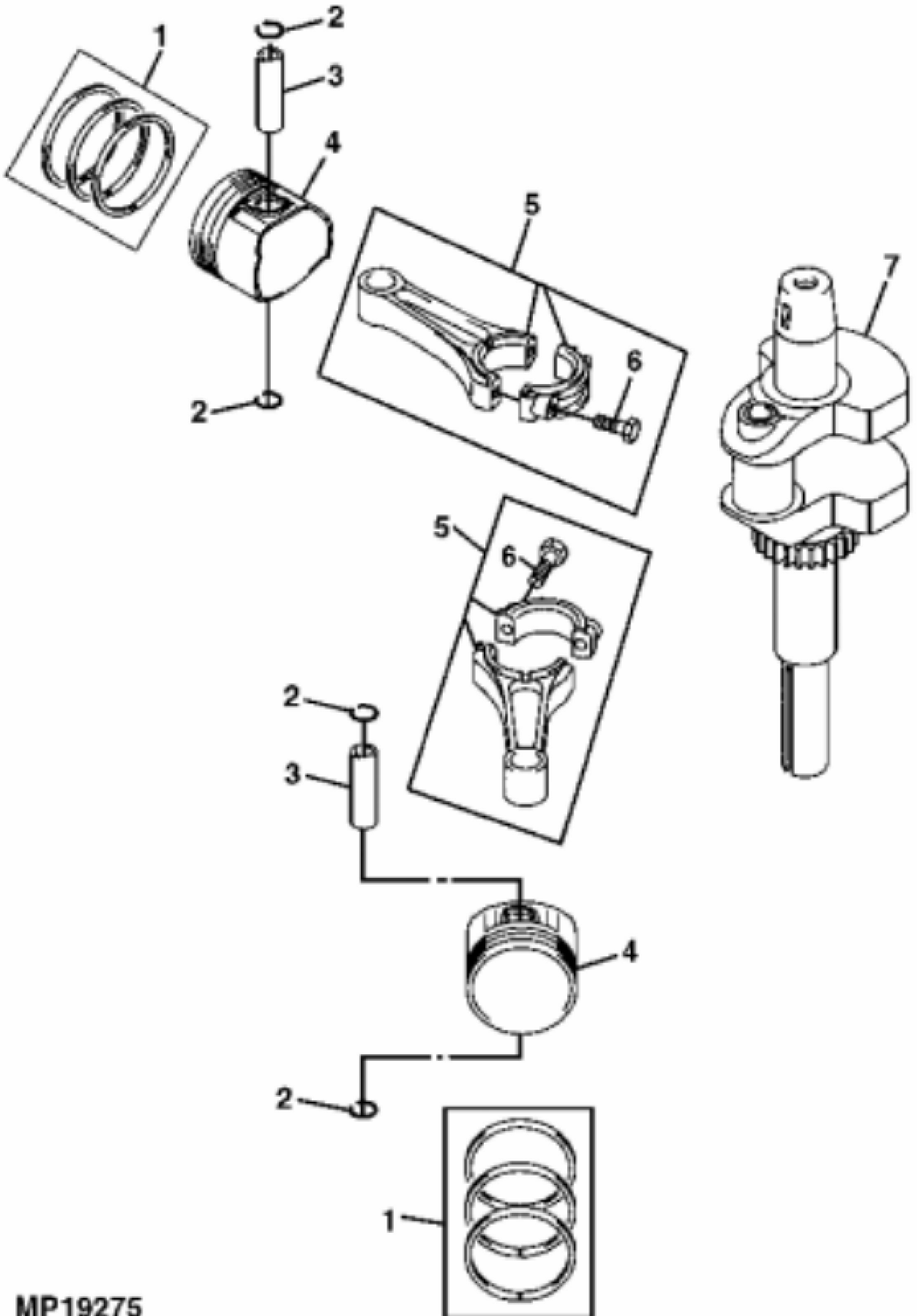
**Suggest:**

**For more complete manuals. Please go to the home page.**

**<https://www.ebooklibonline.com>**

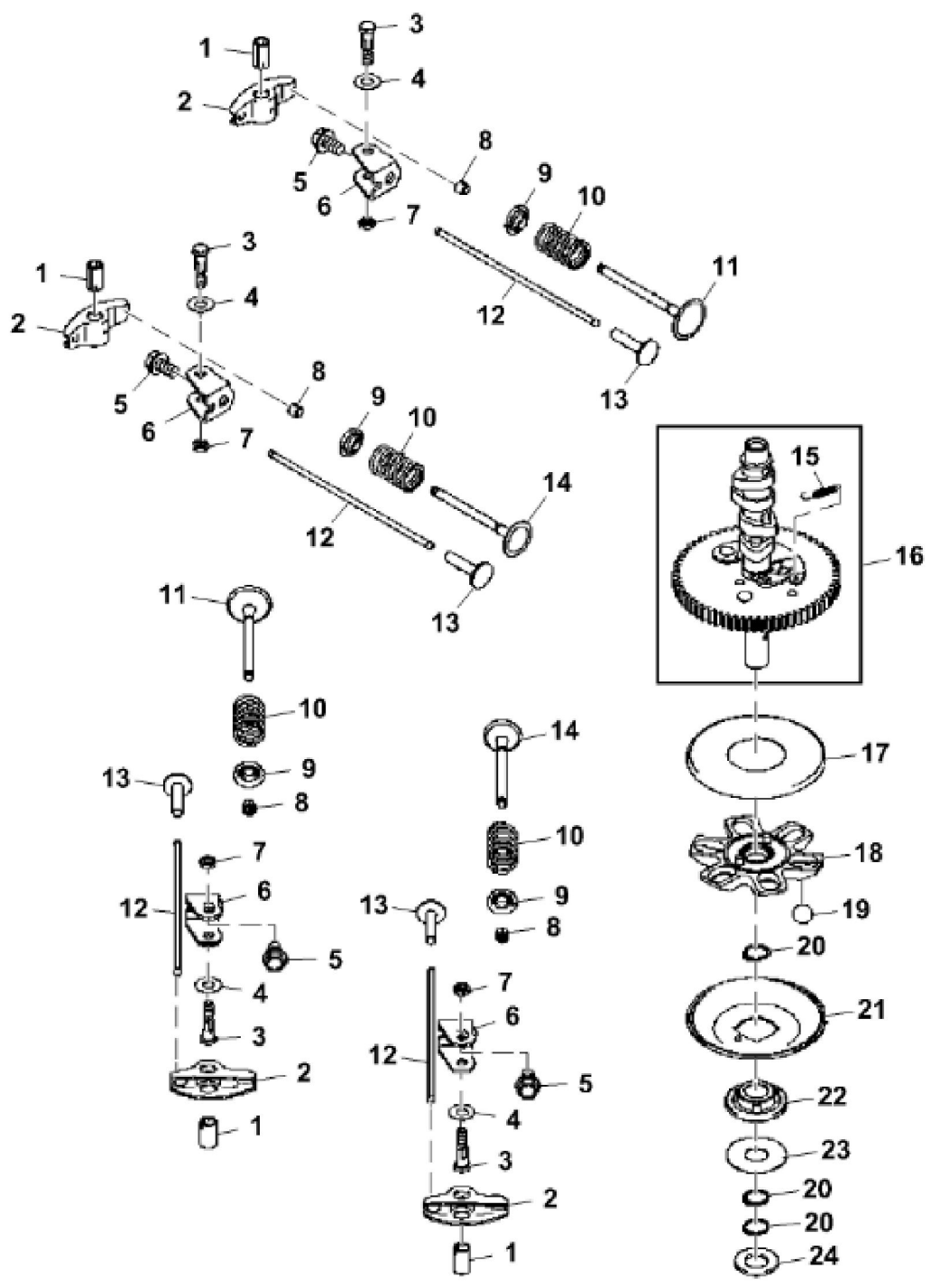
**If the above button click is invalid. Please download this document first, and then click the above link to download the complete manual.**

**Thank you so much for reading**



MP19275

KEY	PART NO.	PART NAME	QTY	REMARKS	
1	MIU12405	PISTON RING	2		
1	MIU12406	PISTON RING	AR	L,0.5	
2	MIU12408	SNAP RING	4		
3	MIU13270	PISTON PIN	2		
4	MIU12403	PISTON	2		
4	MIU12407	PISTON RING	AR	L,0.5	
5	MIA11615	CONNECTING ROD	2		
6	M146763	BOLT	4		
7	MIU13077	CRANKSHAFT	1		



**<https://www.ebooklibonline.com>**

Hello dear friend!

Thank you very much for reading.

Enter the link into your browser.

The full manual is available for immediate download.

**<https://www.ebooklibonline.com>**