

GX291152

KEY	PART NO.	PART NAME	QTY	REMARKS	
1	MIA12882	GASOLINE ENGINE	1	MARKED 44N677-0030-G1	
2	MIA11662	COVER	1		
3	AUC10079	CONTROL	1		
4	GX23580	SCREW	3		
5	GX24210	SCREW	4		
6	LG690970	GASKET	2		
7	14M7298	FLANGE NUT	4	M8	
8	14H786	NUT	1	1/4"	

<https://www.ebooklibonline.com>

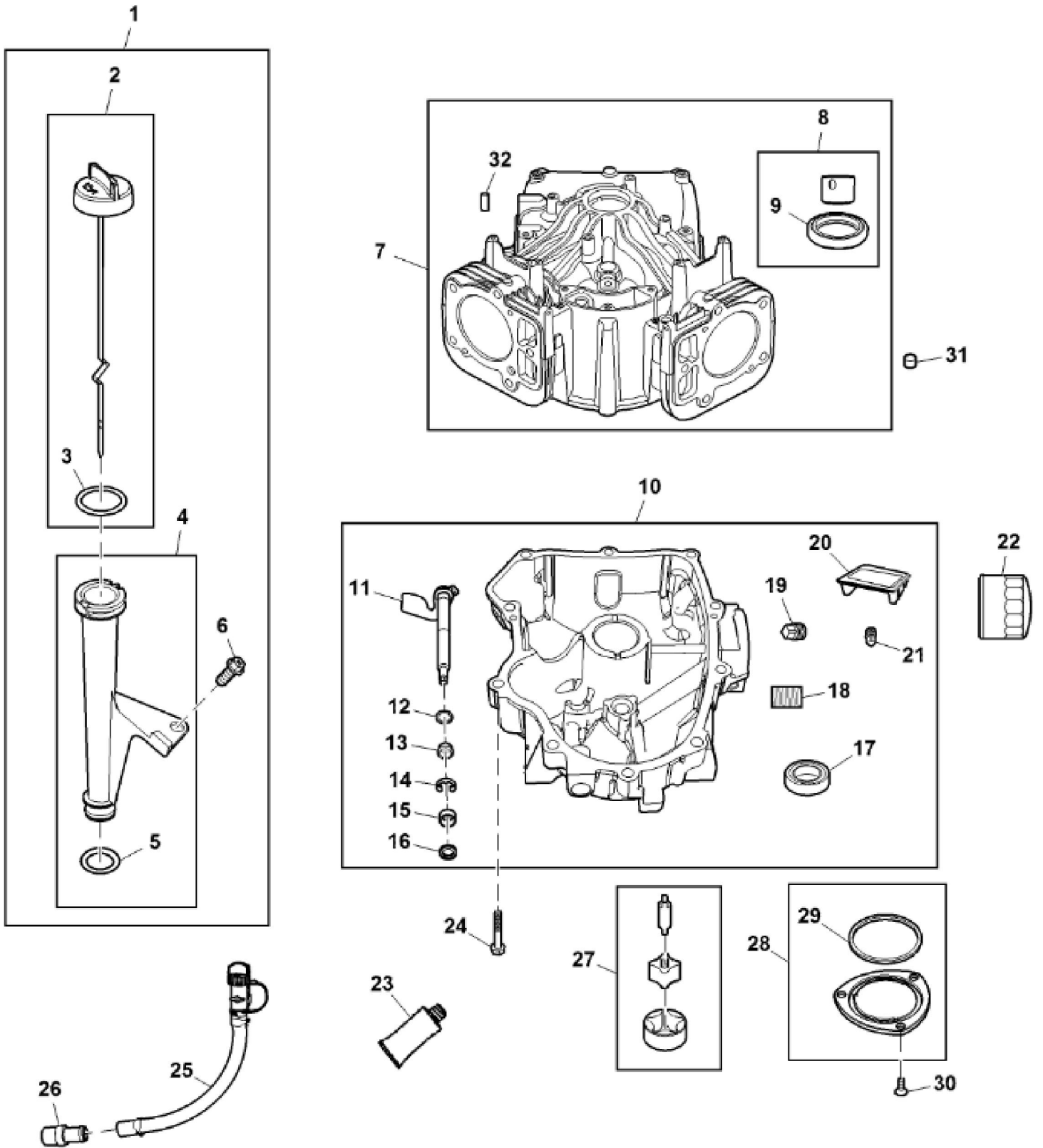
Hello dear friend!

Thank you very much for reading.

Enter the link into your browser.

The full manual is available for immediate download.

<https://www.ebooklibonline.com>



KEY	PART NO.	PART NAME	QTY	REMARKS	
1	UC11104	DIPSTICK	1		
2	LG691036	DIPSTICK	1		
3	LG691031	O-RING	1		
4	LG691037	OIL TUBE	1		
5	LG691032	SEAL	1		
6	M153266	SCREW	1		
7	MIA13208	CYLINDER	1		
8	MIA11778	SEAL KIT	1		
9	LG391086S	SEAL	1		
10	MIA13209	RESERVOIR	1		
11	LG691045	CRANK	1	Governor	
12	M142280	WASHER	1		
13	M142282	BUSHING	2		
14	M142286	RETAINER	2		
15	MIU12503	BUSHING	1		
16	MIU11284	SEAL	1		
17	MIU11958	SEAL	1		
18	LG690954	THREADED NIPPLE	1	Oil Filter	
19	15H623	PIPE PLUG	1	3/8"	
20	MIU12140	SCREEN	1		
21	15H638	PIPE PLUG	1	1/8"	
22	AM125424	OIL FILTER	1		
23	PM37469	LIQUID GASKET	1	Crankcase	
24	M142896	SCREW	10		
25	MIU14391	HOSE	1	Oil Drain	
26	MIU14390	HOSE FITTING	1		
27	MIU12143	OIL PUMP	1		
28	MIA11464	COVER	1	Oil Pump	
29	MIU12153	SEAL	1		
30	MIU12142	SCREW	3		
31	LG690959	DOWEL PIN	2		
32	UC12131	PIN	1		



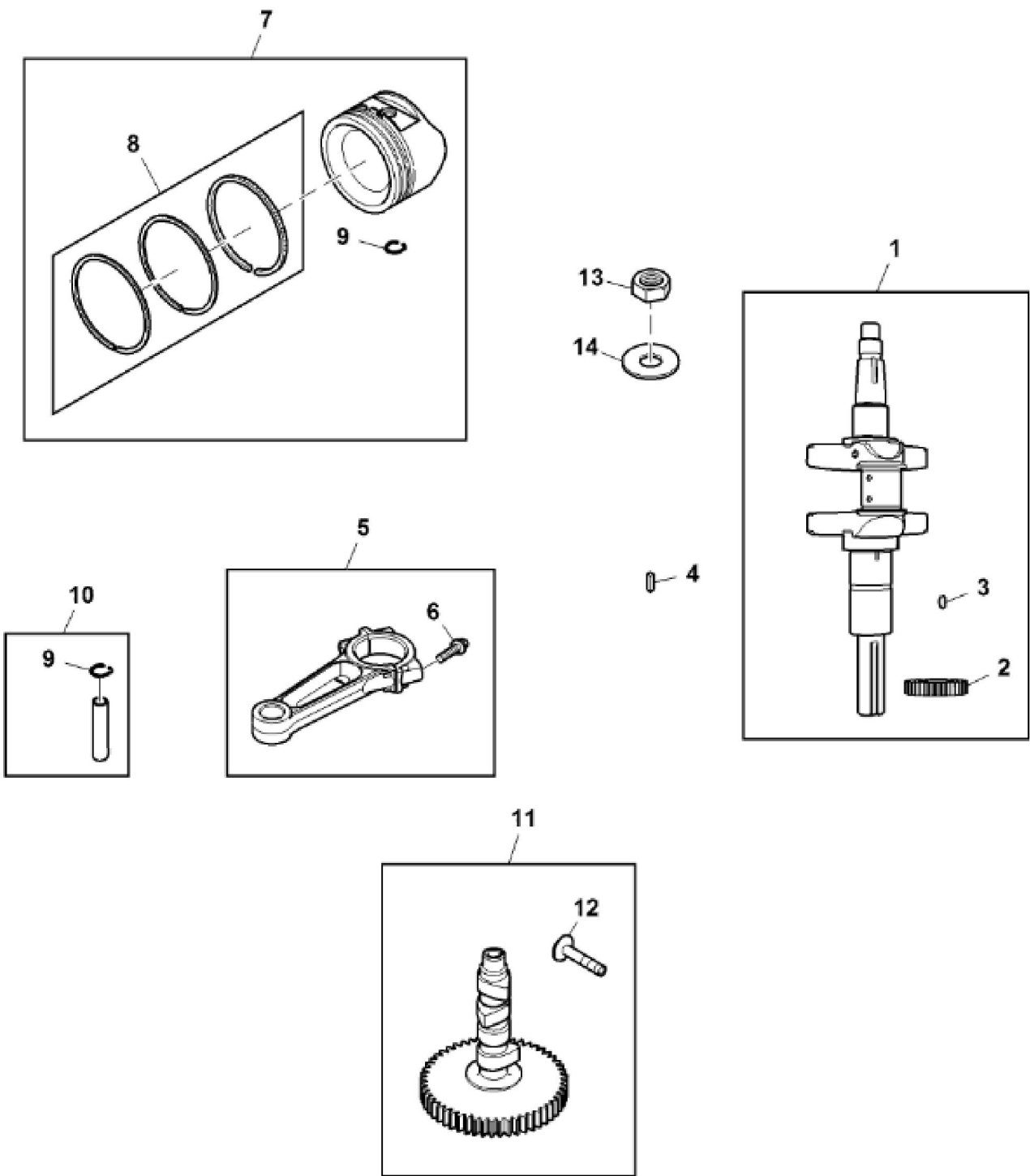
Suggest:

For more complete manuals. Please go to the home page.

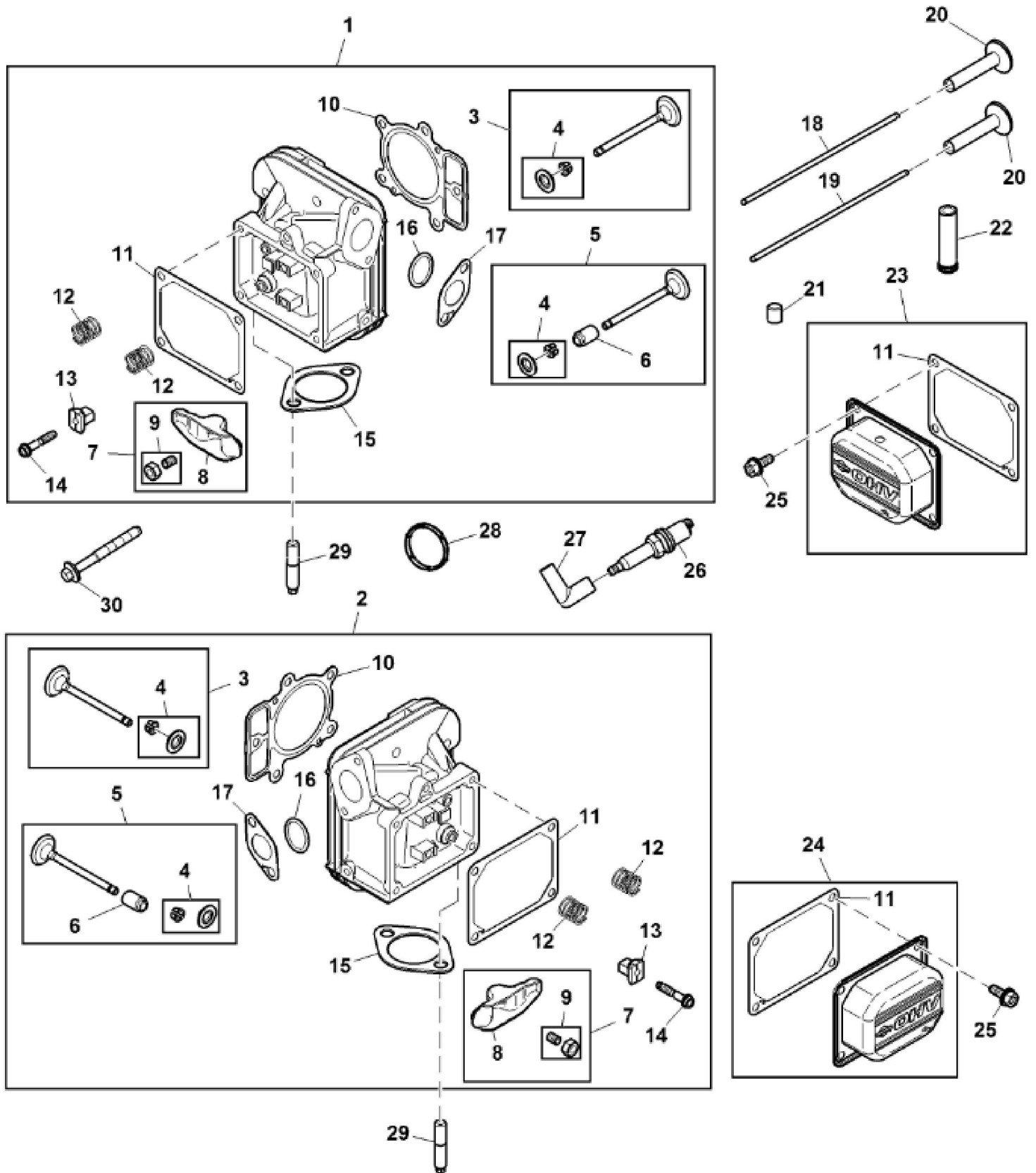
<https://www.ebooklibonline.com>

If the above button click is invalid. Please download this document first, and then click the above link to download the complete manual.

Thank you so much for reading



KEY	PART NO.	PART NAME	QTY	REMARKS	
1	MIA11457	CRANKSHAFT	1		
2	LG690980	GEAR	1	Timing	
3	26H4	SHAFT KEY	1	1/8" X 3/8"	
4	LG222698S	SHAFT KEY	1	Flywheel	
5	MIA11459	CONNECTING ROD	2		
6	LG690976	SCREW	4		
7	MIA10996	PISTON	2	STD	
7	MIA11788	PISTON	2	0.50 mm	
8	MIU11282	PISTON RING KIT	2	STD	
8	MIU11283	PISTON RING KIT	2	0.50 mm	
9	LG690975	LOCK	2		
10	MIA11458	PISTON PIN	2		
11	MIA10916	CAMSHAFT	1		
12	LG690977	TAPPET	4	Valve	
13	14H810	NUT	1	7/8"	
14	LG691056	WASHER	1	Flywheel	



<https://www.ebooklibonline.com>

Hello dear friend!

Thank you very much for reading.

Enter the link into your browser.

The full manual is available for immediate download.

<https://www.ebooklibonline.com>