

GX291152

KEY	PART NO.	PART NAME	QTY	REMARKS	
1	MIA12882	GASOLINE ENGINE	1	MARKED 44N677-0030-G1	
2	MIA11662	COVER	1		
3	AUC10079	CONTROL	1		
4	GX23580	SCREW	3		
5	GX24210	SCREW	4		
6	LG690970	GASKET	2		
7	14M7298	FLANGE NUT	4	M8	
8	14H786	NUT	1	1/4"	

**<https://www.ebooklibonline.com>**

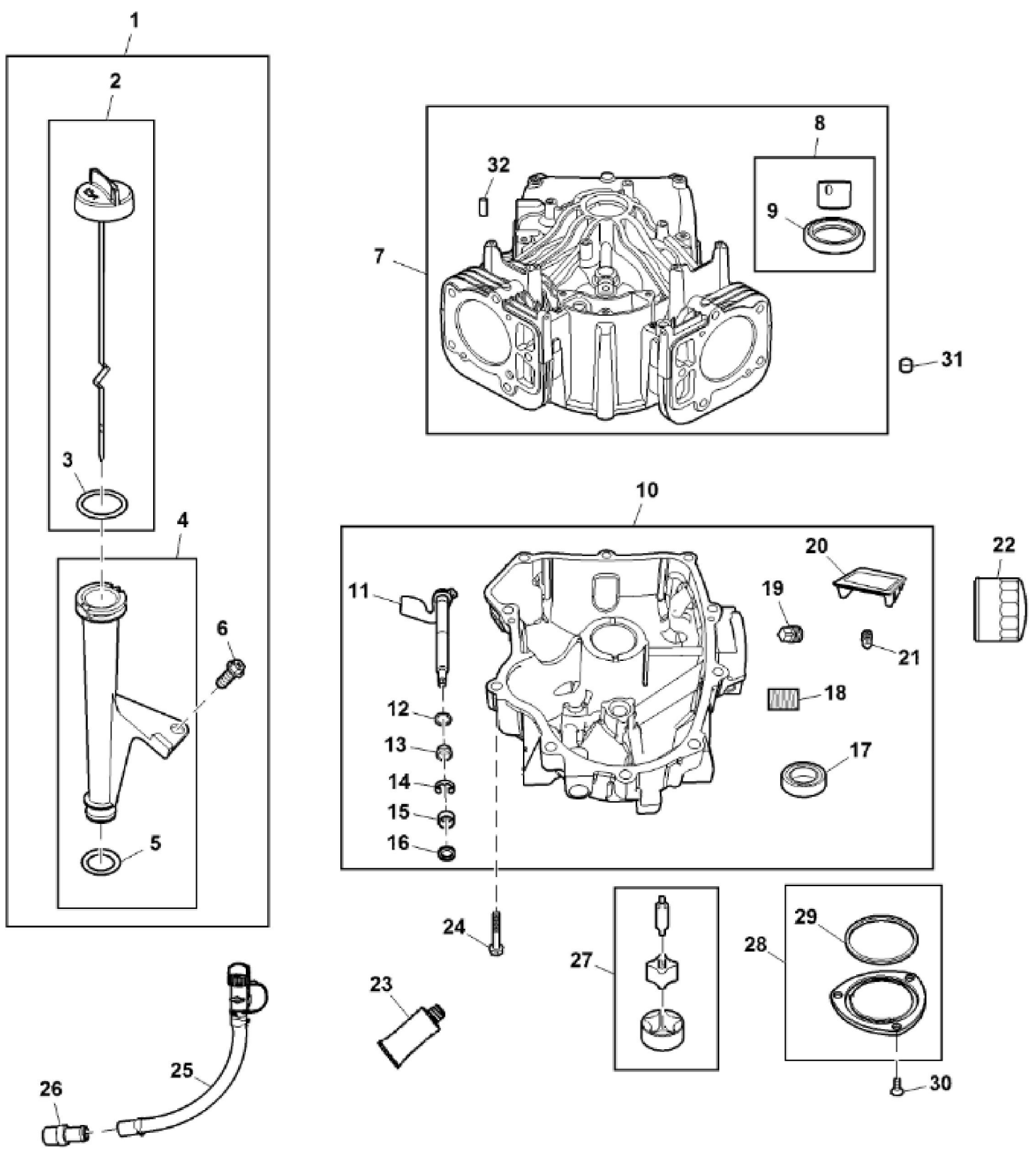
Hello dear friend!

Thank you very much for reading.

Enter the link into your browser.

The full manual is available for immediate download.

**<https://www.ebooklibonline.com>**



GX291158

KEY	PART NO.	PART NAME	QTY	REMARKS
1	UC11104	DIPSTICK	1	
2	LG691036	DIPSTICK	1	
3	LG691031	O-RING	1	
4	LG691037	OIL TUBE	1	
5	LG691032	SEAL	1	
6	M153266	SCREW	1	
7	MIA13208	CYLINDER	1	
8	MIA11778	SEAL KIT	1	
9	LG391086S	SEAL	1	
10	MIA13209	RESERVOIR	1	
11	LG691045	CRANK	1	Governor
12	M142280	WASHER	1	
13	M142282	BUSHING	2	
14	M142286	RETAINER	2	
15	MIU12503	BUSHING	1	
16	MIU11284	SEAL	1	
17	MIU11958	SEAL	1	
18	LG690954	THREADED NIPPLE	1	Oil Filter
19	15H623	PIPE PLUG	1	3/8"
20	MIU12140	SCREEN	1	
21	15H638	PIPE PLUG	1	1/8"
22	AM125424	OIL FILTER	1	
23	PM37469	LIQUID GASKET	1	Crankcase
24	M142896	SCREW	10	
25	MIU14391	HOSE	1	Oil Drain
26	MIU14390	HOSE FITTING	1	
27	MIU12143	OIL PUMP	1	
28	MIA11464	COVER	1	Oil Pump
29	MIU12153	SEAL	1	
30	MIU12142	SCREW	3	
31	LG690959	DOWEL PIN	2	
32	UC12131	PIN	1	



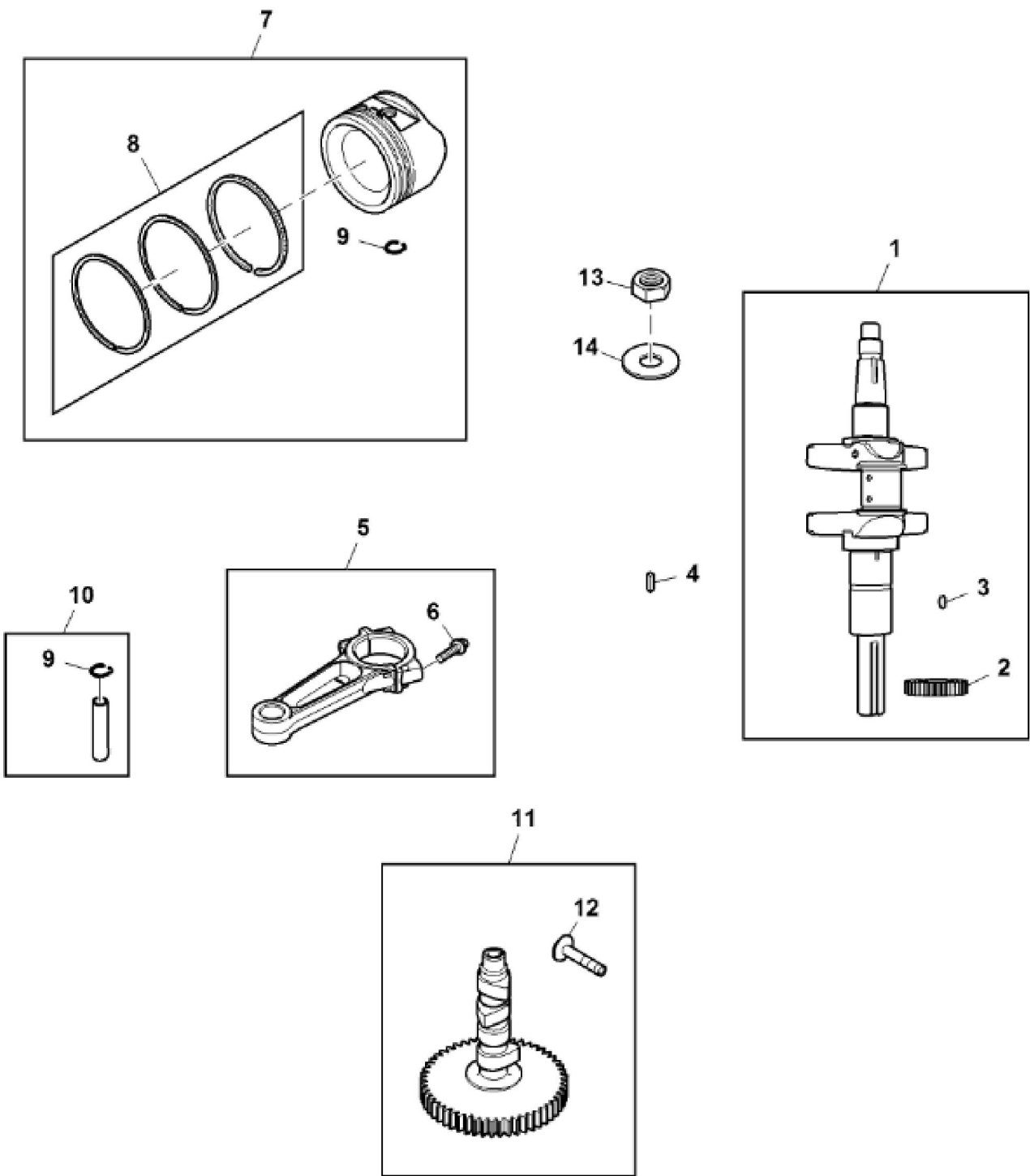
**Suggest:**

**For more complete manuals. Please go to the home page.**

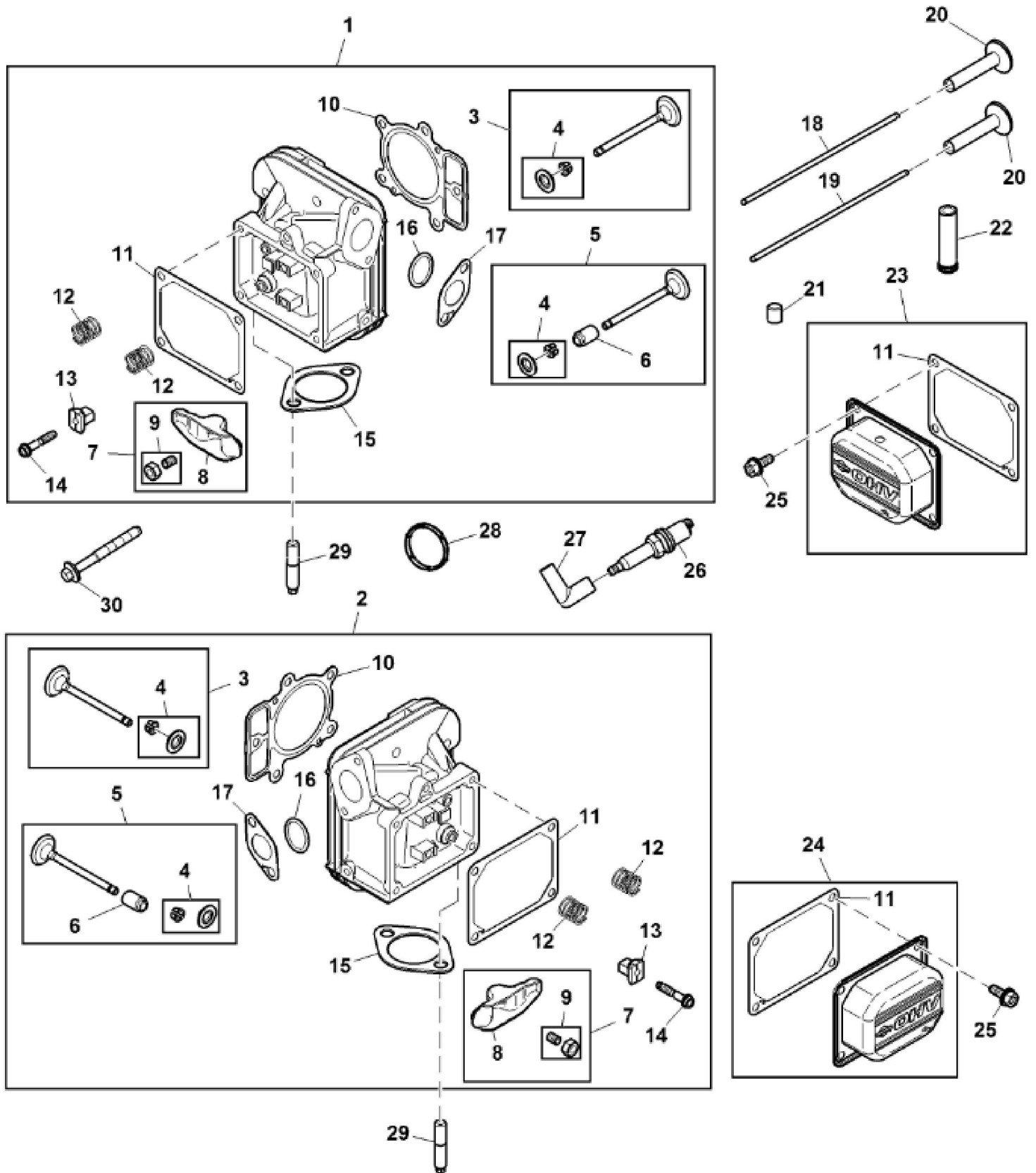
**<https://www.ebooklibonline.com>**

**If the above button click is invalid. Please download this document first, and then click the above link to download the complete manual.**

**Thank you so much for reading**



KEY	PART NO.	PART NAME	QTY	REMARKS	
1	MIA11457	CRANKSHAFT	1		
2	LG690980	GEAR	1	Timing	
3	26H4	SHAFT KEY	1	1/8" X 3/8"	
4	LG222698S	SHAFT KEY	1	Flywheel	
5	MIA11459	CONNECTING ROD	2		
6	LG690976	SCREW	4		
7	MIA10996	PISTON	2	STD	
7	MIA11788	PISTON	2	0.50 mm	
8	MIU11282	PISTON RING KIT	2	STD	
8	MIU11283	PISTON RING KIT	2	0.50 mm	
9	LG690975	LOCK	2		
10	MIA11458	PISTON PIN	2		
11	MIA10916	CAMSHAFT	1		
12	LG690977	TAPPET	4	Valve	
13	14H810	NUT	1	7/8"	
14	LG691056	WASHER	1	Flywheel	



**<https://www.ebooklibonline.com>**

Hello dear friend!

Thank you very much for reading.

Enter the link into your browser.

The full manual is available for immediate download.

**<https://www.ebooklibonline.com>**