

MP35142

KEY	PART NO.	PART NAME	QTY	Serial No.	REMARKS
1	M146871	PIPE	1		
2	M138388	PIN	6		
3	M147908	ENGINE CYLINDER HEAD GASKET	2		
4	AM135296	CYLINDER HEAD	1		(No.2)
5	M138394	BOLT	2		NLA; (ENGINE MARKED FH601D-BS05,)
5	MIU11322	BOLT	2		(ENGINE MARKED FH601D-DS05, ES05)
6	M140221	GASKET	2		
7	19M7320	CAP SCREW	4		M6 X 40
8	M140218	VALVE COVER	1		(Cylinder No.2)
8	M146867	VALVE COVER	1		(Cylinder No.1)
9	M138389	SEAL	4		
10	19M8319	SCREW	18		M8 X 50
11	M138395	STUD	4		NLA; ORDER MIU11736
11	MIU11736	BOLT	4		NLA; ORDER MIU12726
11	MIU12726	STUD	4		
12	MIU11325	BOLT	4		
13	M140224	COVER	1		
14	M140222	GASKET	1		Breather
15	MIU11522	PIPE	1		(SUB FOR M146872)
15	MIU11523	GASKET	1		(Not Shown)
16	M149281	SEAL	1		
17	M127431	ADAPTER FITTING	1		
18	MIA10567	CRANKCASE	1		(ENGINE MARKED FH601D-BS05, CS05) (SUB MIA11107) (ALSO ORDER MIA11109) (SUB FOR AM134959)
18	MIA11663	CRANKCASE	1		(ENGINE MARKED FH601D-DS05, ES05)(SUB FOR MIA11107)
18	M147270	PLUG	1		NLA; ORDER MIU14001; (Not Shown)
18	MIU14001	PLUG	1		
19	M138425	PLUG	1		
20	M146870	RECEIVER	1		Oil Drain
21	M88478	O-RING	1		
22	M146869	VALVE	1		
23	21M7244	SCREW	2		M4 X 8
24	MIU10794	GASKET	1		(SUB FOR M146868)

<https://www.ebooklibonline.com>

Hello dear friend!

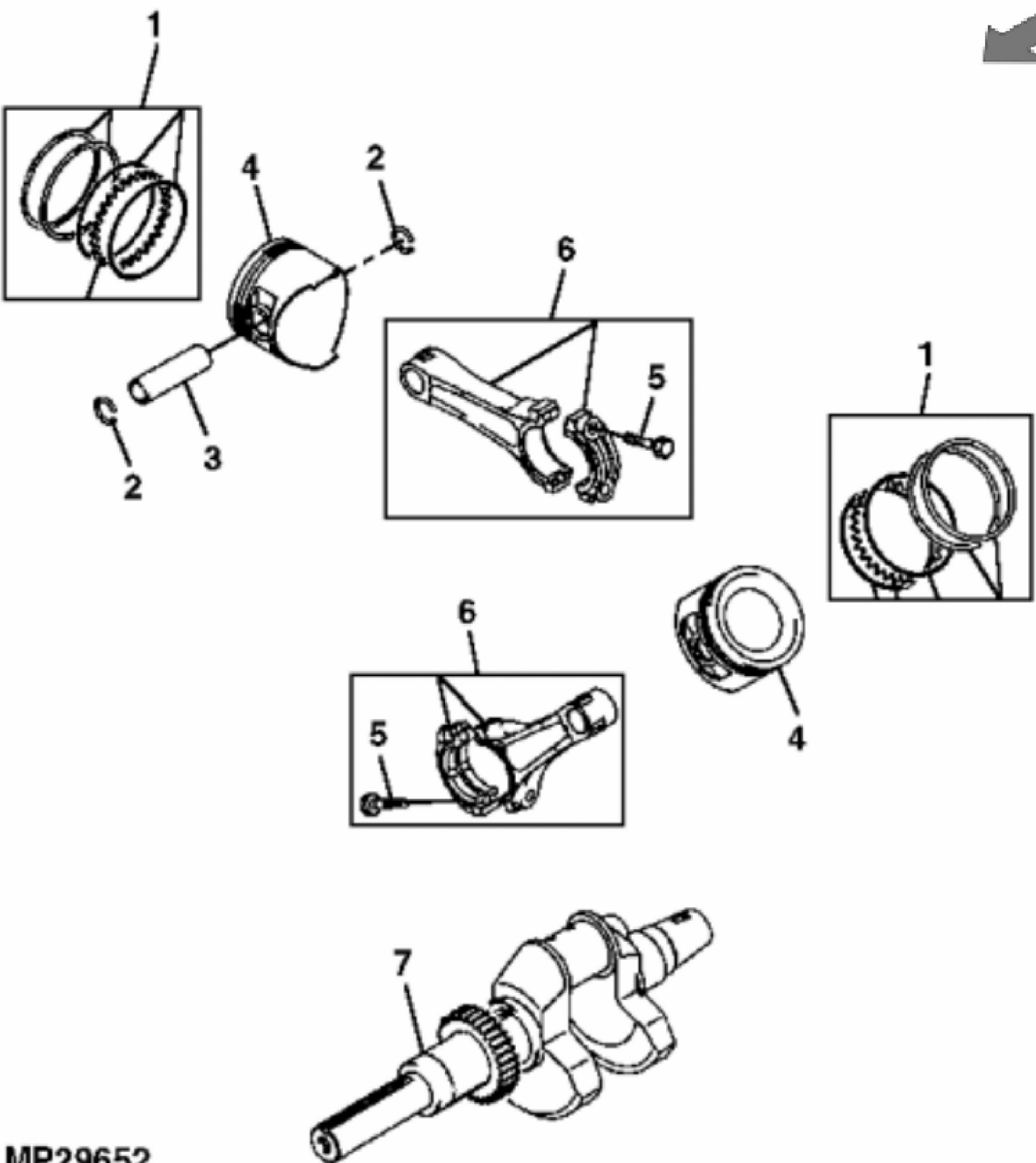
Thank you very much for reading.

Enter the link into your browser.

The full manual is available for immediate download.

<https://www.ebooklibonline.com>

KEY	PART NO.	PART NAME	QTY	Serial No.	REMARKS
25	M153043	COVER	1		(ENGINE MARKED FH601D-BS05, CS05)
25	MIA11447	COVER	1		(ENGINE MARKED FH601D-DS05, ES05)
25	MIU10933	BUSHING	1		(Not Shown)
26	M140231	SNAP RING	1		
27	MIU11104	SEAL	1		(SUB FOR M146874)
28	M138392	SEAL	1		NLA; ORDER M151774
28	M151774	SEAL	1		
29	MIA10402	CYLINDER HEAD	1		(No.1) (SUB FOR AM132473)
30	19M7786	SCREW	5		M10 X 30, (Engine Mounting)
31	M148369	SCREW	2		
32	R97021	CLAMP	1		
33	TCU27100	HOSE	1		Oil Drain; (MAKE FROM TY22562)
34	14M7396	LOCK NUT	1		M8
35	VG11744	SUPPORT	1		
36	19M7867	SCREW	1		M8 X 25
..	AM135237	GASOLINE ENGINE	1		NLA; MARKED FH601D-BS05; ORDER MIA11233
..	MIA10576	GASOLINE ENGINE	1		NLA; MARKED FH601D-CS05; ORDER MIA11233
..	MIA11231	GASOLINE ENGINE	1		NLA; MARKED FH601D-DS05; ORDER MIA11233
..	MIA11233	GASOLINE ENGINE	1		NLA; MARKED FH601D-ES05; ORDER MIA11954
..	MIA11954	GASOLINE ENGINE	1		MARKED FH601D-ES05
..	MIA12908	GASOLINE ENGINE	1	100001-_____	MARKED FH601D-GS05



MP29652

KEY	PART NO.	PART NAME	QTY	REMARKS	
1	AM128738	PISTON RING KIT	2	STD	
1	AM132069	PISTON RING KIT	2	.50 MM (.020") OS	
2	M138398	SNAP RING	4		
3	M138397	PISTON PIN	2		
4	M143319	PISTON	2	STD	
4	M146875	PISTON	2	.50 MM (.020") OS	
5	M146763	BOLT	2		
6	MIA10804	CONNECTING ROD	2	(SUB FOR AM132025)	
7	AM133262	CRANKSHAFT	1	(ENGINE MARKED FH601D-BS05, CS05)	
7	MIA11109	CRANKSHAFT	1	(ENGINE MARKED FH601D-DS05, ES05)	



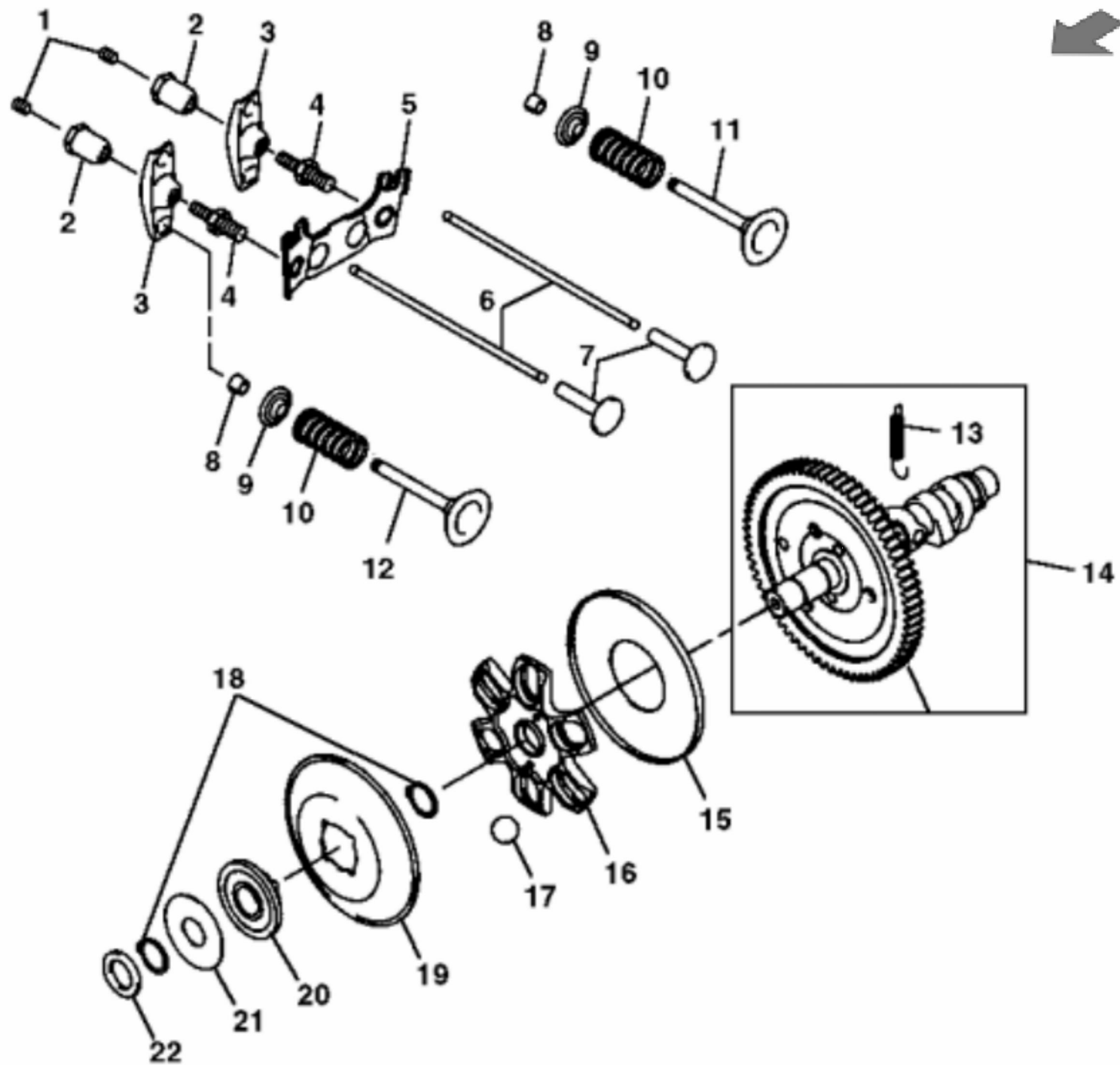
Suggest:

For more complete manuals. Please go to the home page.

<https://www.ebooklibonline.com>

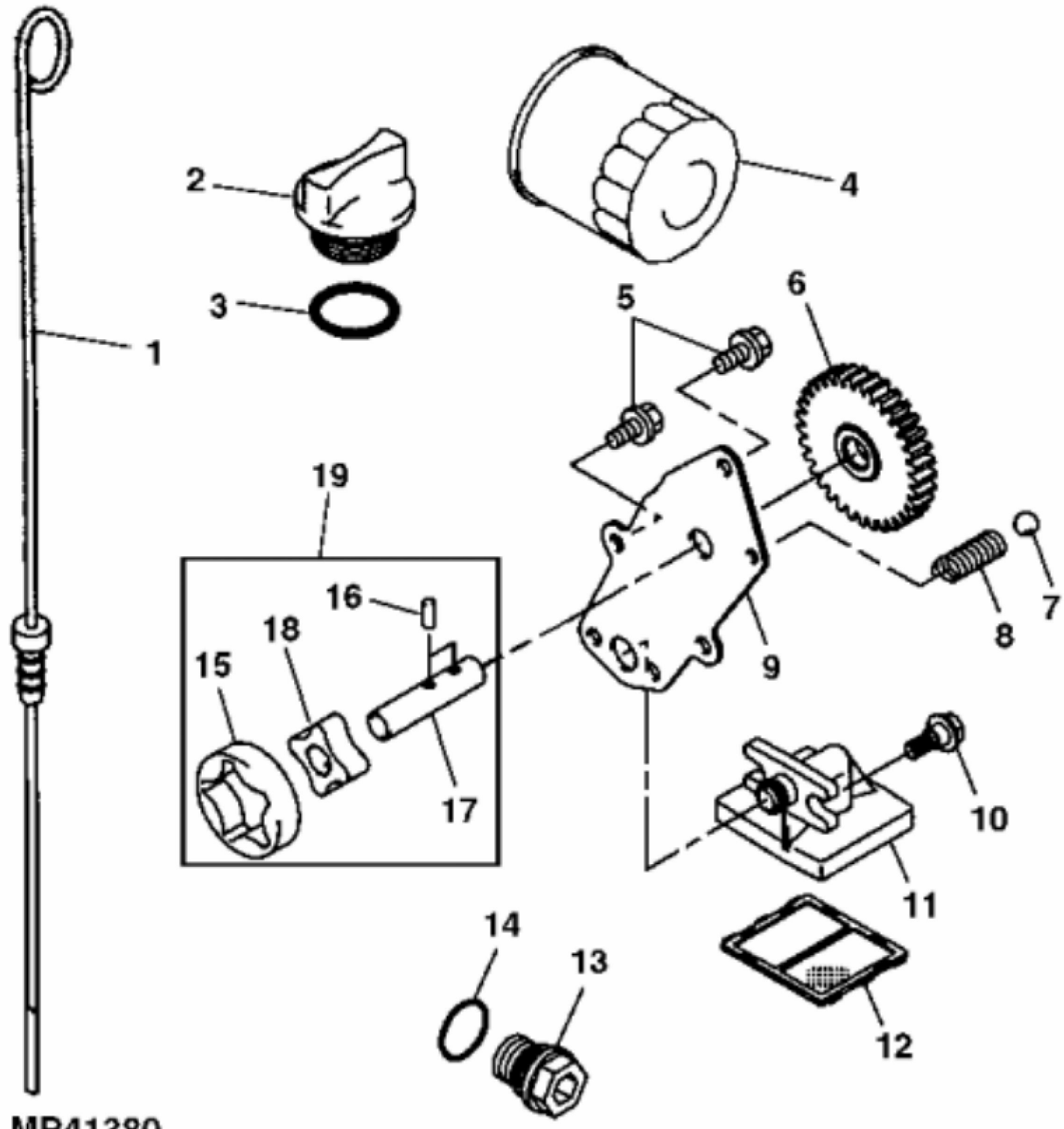
If the above button click is invalid. Please download this document first, and then click the above link to download the complete manual.

Thank you so much for reading



MP29653

KEY	PART NO.	PART NAME	QTY	REMARKS
1	M138410	SCREW	4	
2	M92891	NUT	4	
3	M146876	ROCKER ARM	4	
4	M146881	BOLT	4	
5	M146877	GUIDE	2	
6	M146879	PUSH ROD	4	
7	M138403	TAPPET	4	
8	M118845	RETAINER	4	
9	M138401	RETAINER	4	
10	M140241	SPRING	4	
11	M140234	INTAKE VALVE	2	
12	M147596	EXHAUST VALVE	2	
13	M138413	EXTENSION SPRING	1	
14	MIA11197	CAMSHAFT	1	(SUB FOR AM130638)
15	M140240	PLATE	1	
16	M146878	GUIDE	1	
17	MIU10971	BALL BEARING	6	(SUB FOR M138412)
18	M138411	SNAP RING	2	NLA; ORDER MIU14000
18	MIU14000	SNAP RING	2	
19	M146880	PLATE	1	
20	MIU10708	SLEEVE	1	NLA; ORDER MIU13044; SUB FOR M149875
20	MIU13044	SLEEVE	1	
21	M146882	WASHER	1	
22	MIU11231	WASHER	1	



MP41380

<https://www.ebooklibonline.com>

Hello dear friend!

Thank you very much for reading.

Enter the link into your browser.

The full manual is available for immediate download.

<https://www.ebooklibonline.com>