

KEY	PART NO.	PART NAME	QTY	REMARKS
1	AM127765	GEAR KIT	1	Input Gear
2	M138174	SEAL	1	
3	M138167	SNAP RING	3	
4	M138166	O-RING	3	
5	M138178	BALL BEARING	1	
6	M138173	O-RING	1	
7	M138164	SHAFT	1	Input
8	M138165	BALL BEARING	1	
9	M143158	STRAP	1	Torque
10	24M7178	WASHER	3	10.500 X 30 X 2.500 mm
11	12H302	LOCK WASHER	6	1/4"
12	19H2571	CAP SCREW	6	1/4" X 1-3/8"
13	M132482	BALL BEARING	2	
14	R44302	TIE BAND	1	
15	14M7400	LOCK NUT	1	M10
16	MIU10757	PLUG	2	
17	MIU14508	HOUSING	1	SUB FOR AM127759; Axle
18	BEARING CAP	2	Differential
19	M138158	BOLT	4	Bearing Cap
20	M132483	BALL BEARING	2	
21	M143695	BOLT	4	
22	MIA10431	DIFFERENTIAL	1	(Includes Parts Marked)
23	TY25518	SEALANT	AR	RTV Silicone
24	M137731	SCREW	10	
25	AM128845	COVER KIT	1	Cover Plate
26	M140447	PLATE	1	Differential Cover
27	M145134	DRAIN PLUG	1	
28	M143662	LOCK NUT	4	
29	M141831	GEAR	1	Final Drive
30	M138162	SHAFT	1	Intermediate Gear
31	M138163	O-RING	2	
32	M140449	VENT	1	
32	M132499	ELBOW FITTING	1	
33	R56101	CLIP	1	
34	HOSE	1	CTL = 50 mm, MF M175325

<https://www.ebooklibonline.com>

Hello dear friend!

Thank you very much for reading.

Enter the link into your browser.

The full manual is available for immediate download.

<https://www.ebooklibonline.com>

KEY	PART NO.	PART NAME	QTY	REMARKS	
34	HOSE	AR	MF M175325	
35	19M8162	SCREW	1	M10 X 40	
36	AM129753	GEAR KIT	1	(Not Illustrated)	
37	MIA13157	BEARING KIT	1	(Not Illustrated) SUB FOR AM127763	
38	AM130557	TRANSAXLE	1	(Not Illustrated)	
39	MIA11645	REAR AXLE	1	(Not Illustrated) ORDER MIA12928; Electric, Hydro Mech Brake	



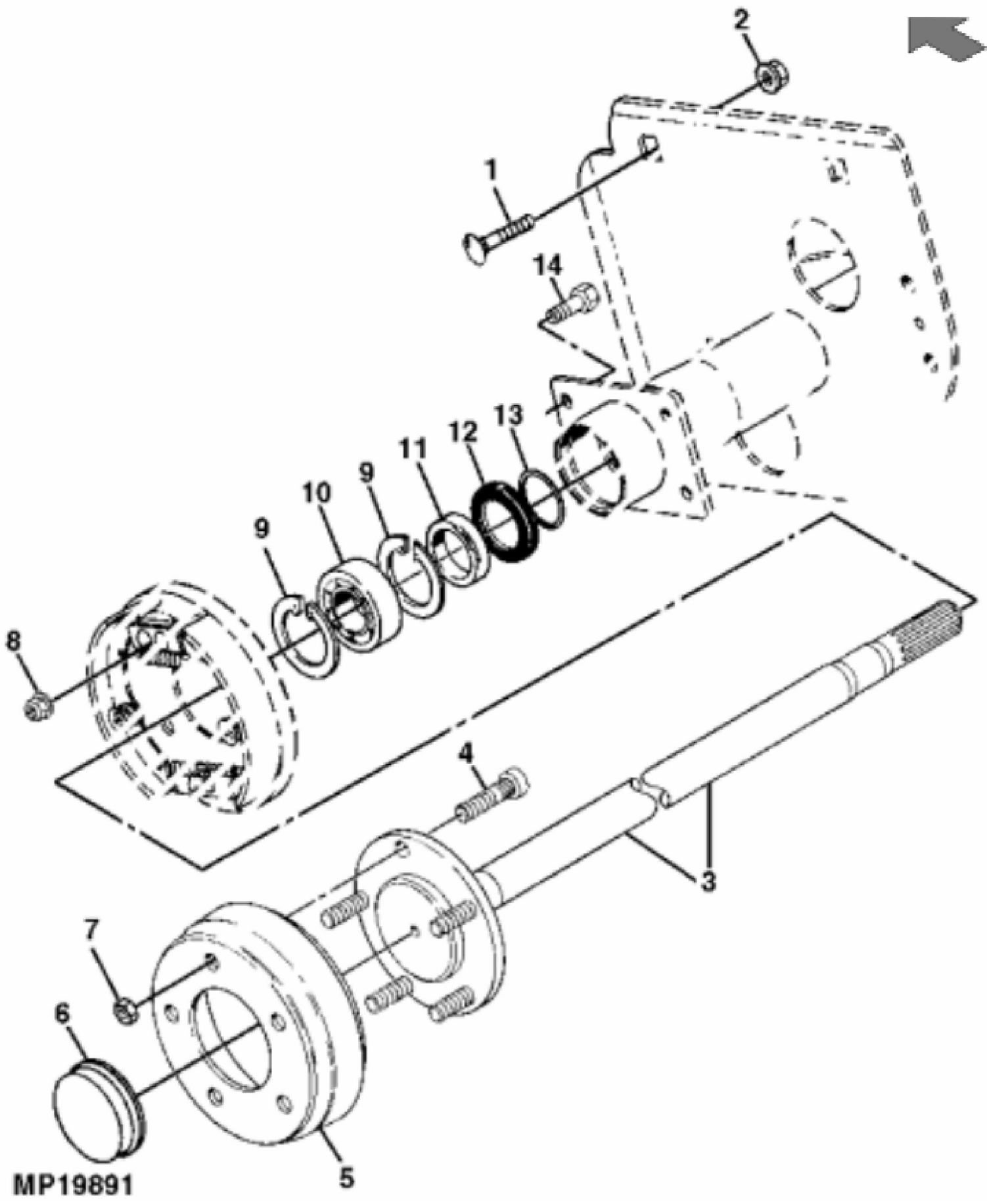
Suggest:

For more complete manuals. Please go to the home page.

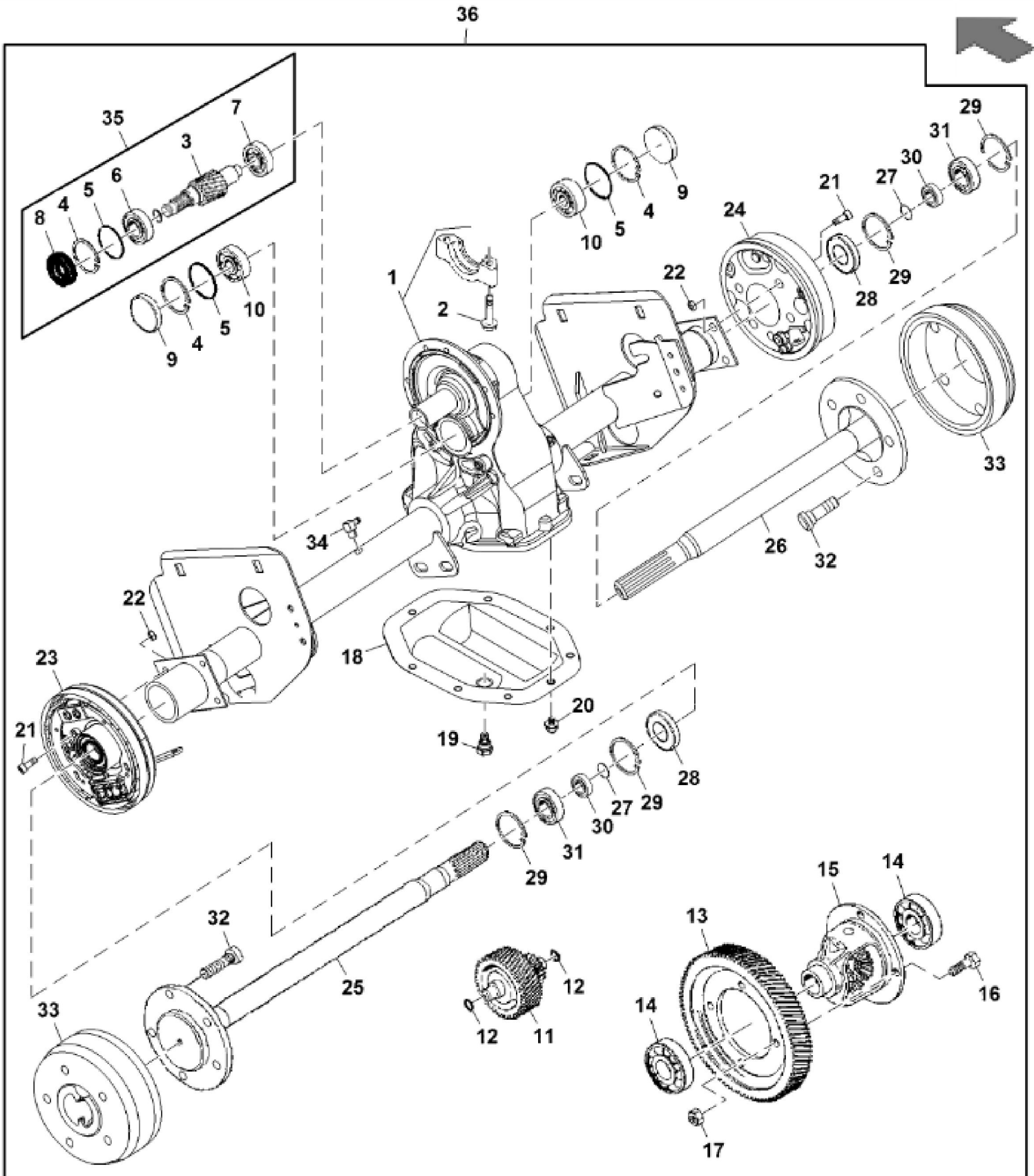
<https://www.ebooklibonline.com>

If the above button click is invalid. Please download this document first, and then click the above link to download the complete manual.

Thank you so much for reading



KEY	PART NO.	PART NAME	QTY	REMARKS	
1	03M7198	BOLT	6	M12 X 30	
2	14M7401	LOCK NUT	6	M12	
3	MIU14513	SHAFT	1	SUB FOR AM127760; Axle, LH	
3	MIU14514	SHAFT	1	SUB FOR AM127761; Axle, RH	
4	M137730	WHEEL BOLT	10		
5	M132513	BRAKE DRUM	2		
6	M123584	PLUG	2		
7	JD2351	NUT	10	WHEEL BOLT	
8	M132512	LOCK NUT	8		
9	M132508	SNAP RING	4		
10	M132510	BALL BEARING	2	AXLE	
11	M132509	RING	2		
12	M138176	SEAL	2	AXLE	
13	M132518	SNAP RING	2		
14	M132507	SCREW	8		



PU18464

<https://www.ebooklibonline.com>

Hello dear friend!

Thank you very much for reading.

Enter the link into your browser.

The full manual is available for immediate download.

<https://www.ebooklibonline.com>