

PU06892

KEY	PART NO.	PART NAME	QTY	REMARKS	
1	AM147702	GASOLINE ENGINE	1	INCLUDES MIA12513 AND AM145365; SUB FOR MIA11745 AND MIA12513	
2	M162505	INTAKE MANIFOLD	1		
3	M162585	HOSE CLAMP	1		
3	M168041	HOSE CLAMP	1		
4	M161365	BRACKET	1	Engine Support	
5	M161366	BRACKET	1	Engine	
6	19M8528	SCREW	4	M10 X 55	
7	19M7785	SCREW	6	M10 X 25	
8	M163016	BRACKET	1	Engine Support	
9	19M7838	SCREW	2	M12 X 130	
10	14M7299	FLANGE NUT	4	M12	
11	19M7788	SCREW	2	M12 X 25	
12	M169679	BAND	4		
13	AM145365	OIL FILTER	1	Not illustrated	

**<https://www.ebooklibonline.com>**

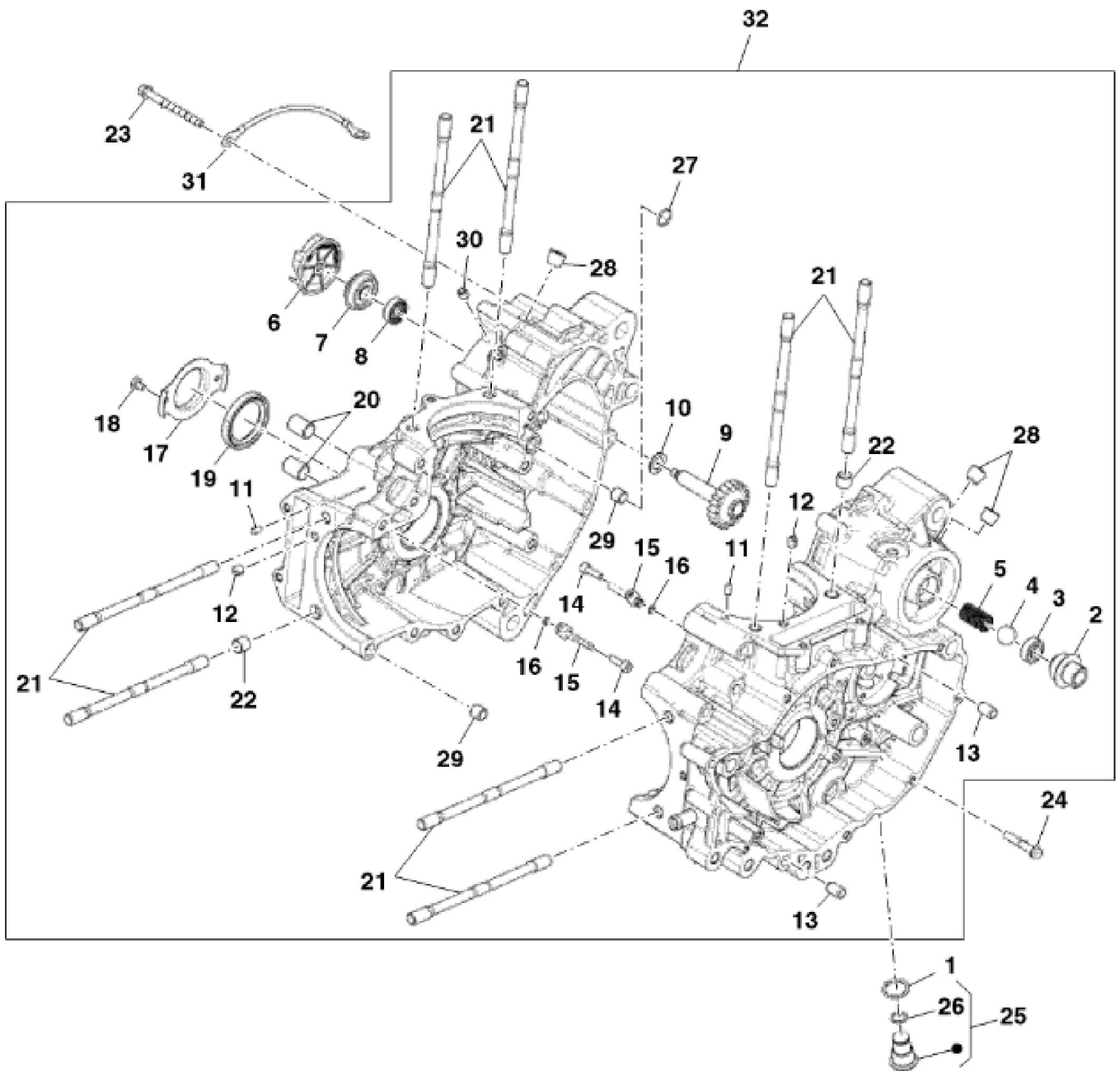
Hello dear friend!

Thank you very much for reading.

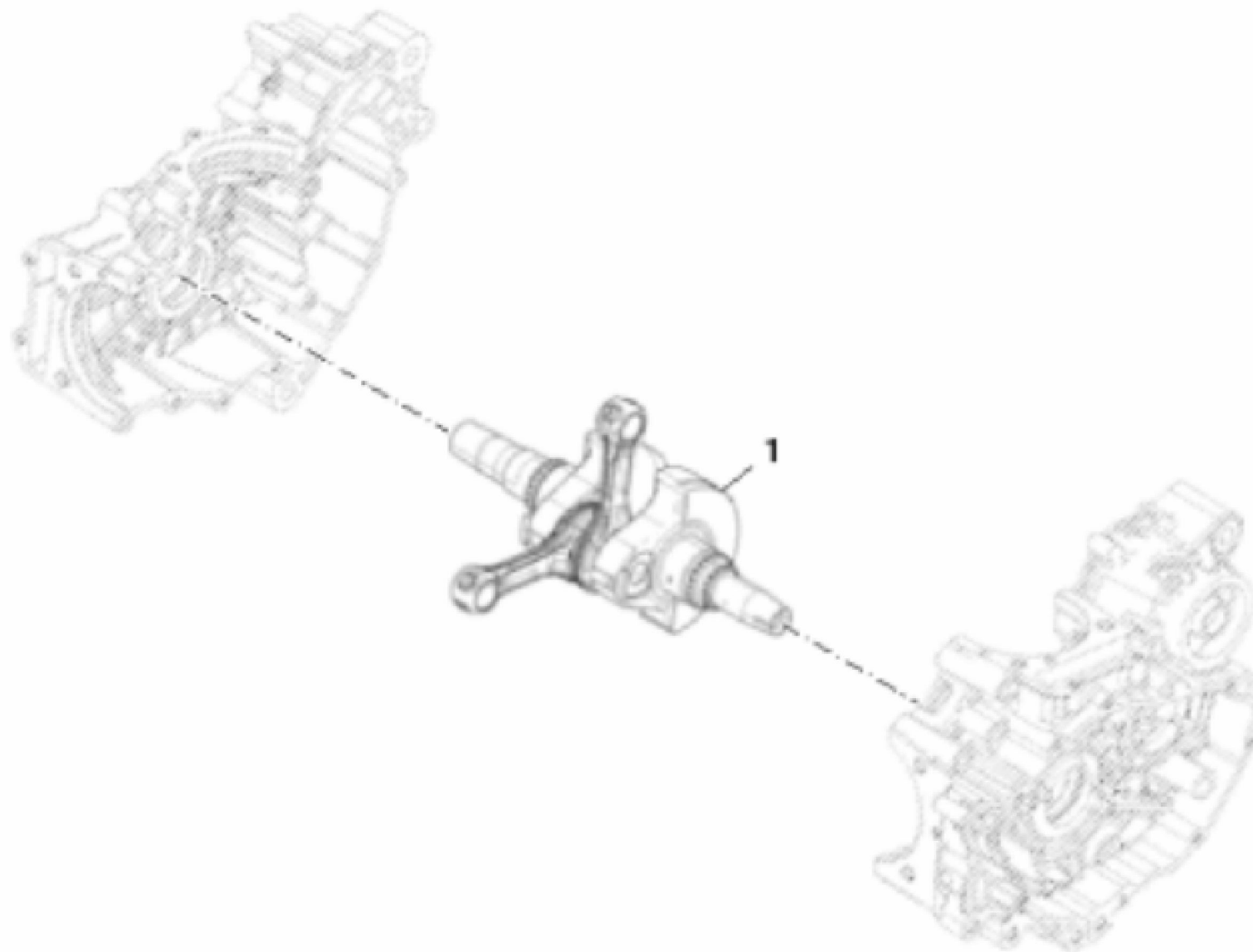
Enter the link into your browser.

The full manual is available for immediate download.

**<https://www.ebooklibonline.com>**



KEY	PART NO.	PART NAME	QTY	REMARKS
1	MIU13479	GASKET	1	
2	MIU13489	UNION FITTING	1	
3	MIU13347	VALVE	1	Oil Anti-Return
4	MIU13395	BALL	1	
5	MIU13396	SPRING	1	
6	MIU13380	IMPELLER	1	
7	MIU13348	GASKET	1	Ring
8	MIU13349	GASKET	1	Ring
9	MIA12302	WATER PUMP	1	Shaft ASSY
10	MIU13461	SHIM	1	
11	MIU13462	DOWEL PIN	2	
12	MIU13397	NOZZLE	2	
13	MIU13457	PIN	2	
14	MIU13484	SCREW	2	
15	MIU13481	JET	2	
16	MIU13460	GASKET	2	Ring
17	MIU13490	PLATE	1	
18	MIU13398	SCREW	2	
19	MIU13350	GASKET	1	
20	MIU13493	DOWEL PIN	2	
21	MIU13426	BOLT	8	
22	MIU13458	PIN	2	
23	MIU13399	SCREW	6	
24	MIU13400	SCREW	10	
25	MIU13433	PLUG	1	Oil Unload
26	MIU13431	O-RING	1	
27	MIU13495	O-RING	1	
28	MIU13429	PLUG	3	
29	MIU13463	DOWEL PIN	2	
30	MIU13432	PLUG	1	
31	MIU13351	CABLE	1	
32	MIA12419	CRANKCASE	1	Match to Crankshaft Cat. 1
32	MIA12420	CRANKCASE	1	Match to Crankshaft Cat. 2



PU04182



**Suggest:**

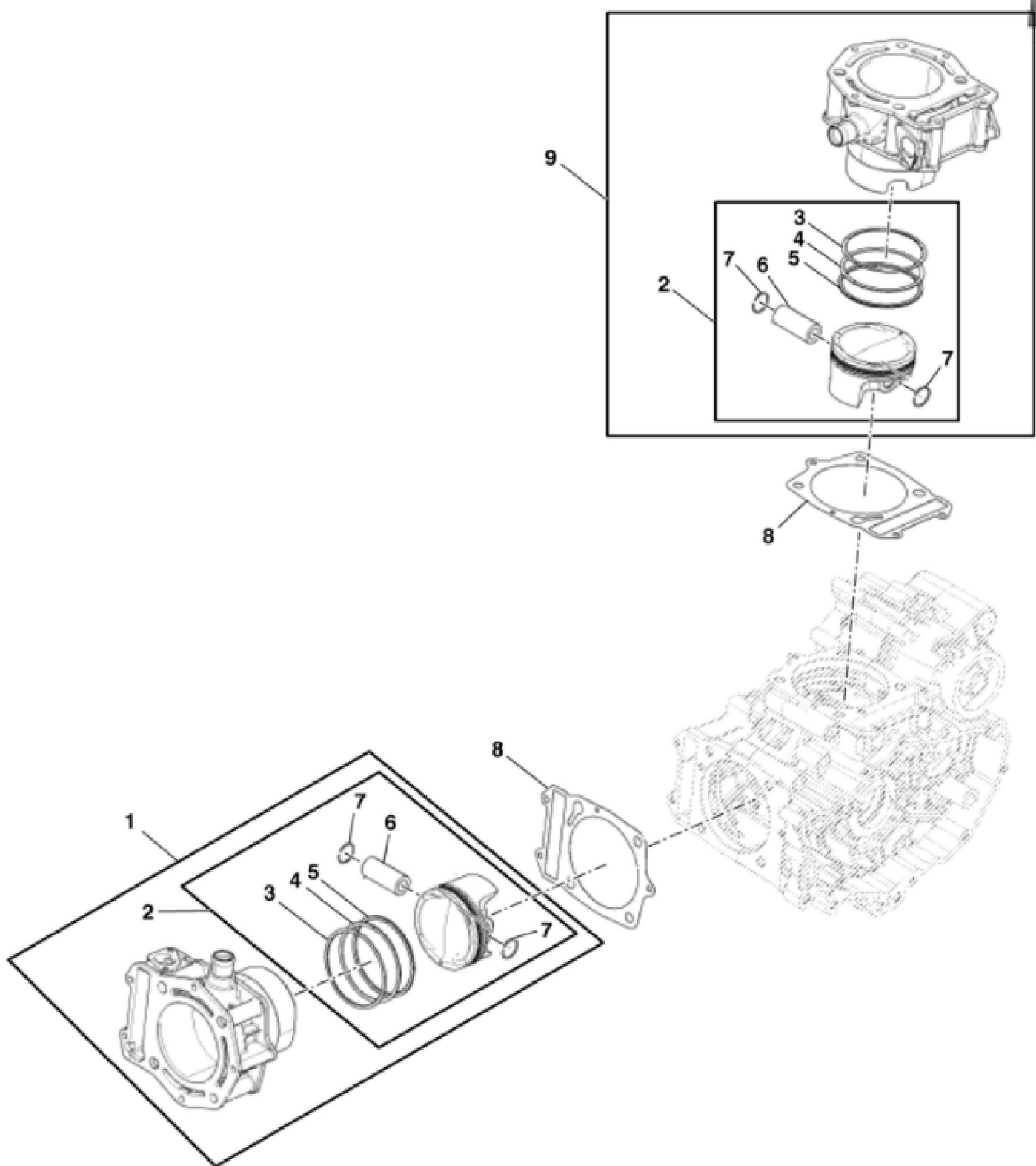
**For more complete manuals. Please go to the home page.**

**<https://www.ebooklibonline.com>**

**If the above button click is invalid. Please download this document first, and then click the above link to download the complete manual.**

**Thank you so much for reading**

KEY	PART NO.	PART NAME	QTY	REMARKS	
1	MIA12303	CRANKSHAFT	1	45.010 - 45.016, MARKED Category - 1	
1	MIA12304	CRANKSHAFT	1	45.016 - 45.022, MARKED Category - 2	



**<https://www.ebooklibonline.com>**

Hello dear friend!

Thank you very much for reading.

Enter the link into your browser.

The full manual is available for immediate download.

**<https://www.ebooklibonline.com>**