

PU06892

| KEY | PART NO. | PART NAME       | QTY | REMARKS  |  |
|-----|----------|-----------------|-----|--|--|
| 1   | AM147702 | GASOLINE ENGINE | 1   | INCLUDES MIA12513 AND AM145365; SUB FOR MIA11745<br>AND MIA12513 |  |
| 2   | M162505  | INTAKE MANIFOLD | 1   |  |  |
| 3   | M162585  | HOSE CLAMP      | 1   |  |  |
| 3   | M168041  | HOSE CLAMP      | 1   |  |  |
| 4   | M161365  | BRACKET         | 1   | Engine Support   |  |
| 5   | M161366  | BRACKET         | 1   | Engine   |  |
| 6   | 19M8528  | SCREW           | 4   | M10 X 55   |  |
| 7   | 19M7785  | SCREW           | 6   | M10 X 25   |  |
| 8   | M163016  | BRACKET         | 1   | Engine Support   |  |
| 9   | 19M7838  | SCREW           | 2   | M12 X 130  |  |
| 10  | 14M7299  | FLANGE NUT      | 4   | M12  |  |
| 11  | 19M7788  | SCREW           | 2   | M12 X 25   |  |
| 12  | M169679  | BAND            | 4   |  |  |
| 13  | AM145365 | OIL FILTER      | 1   | Not illustrated  |  |

**<https://www.ebooklibonline.com>**

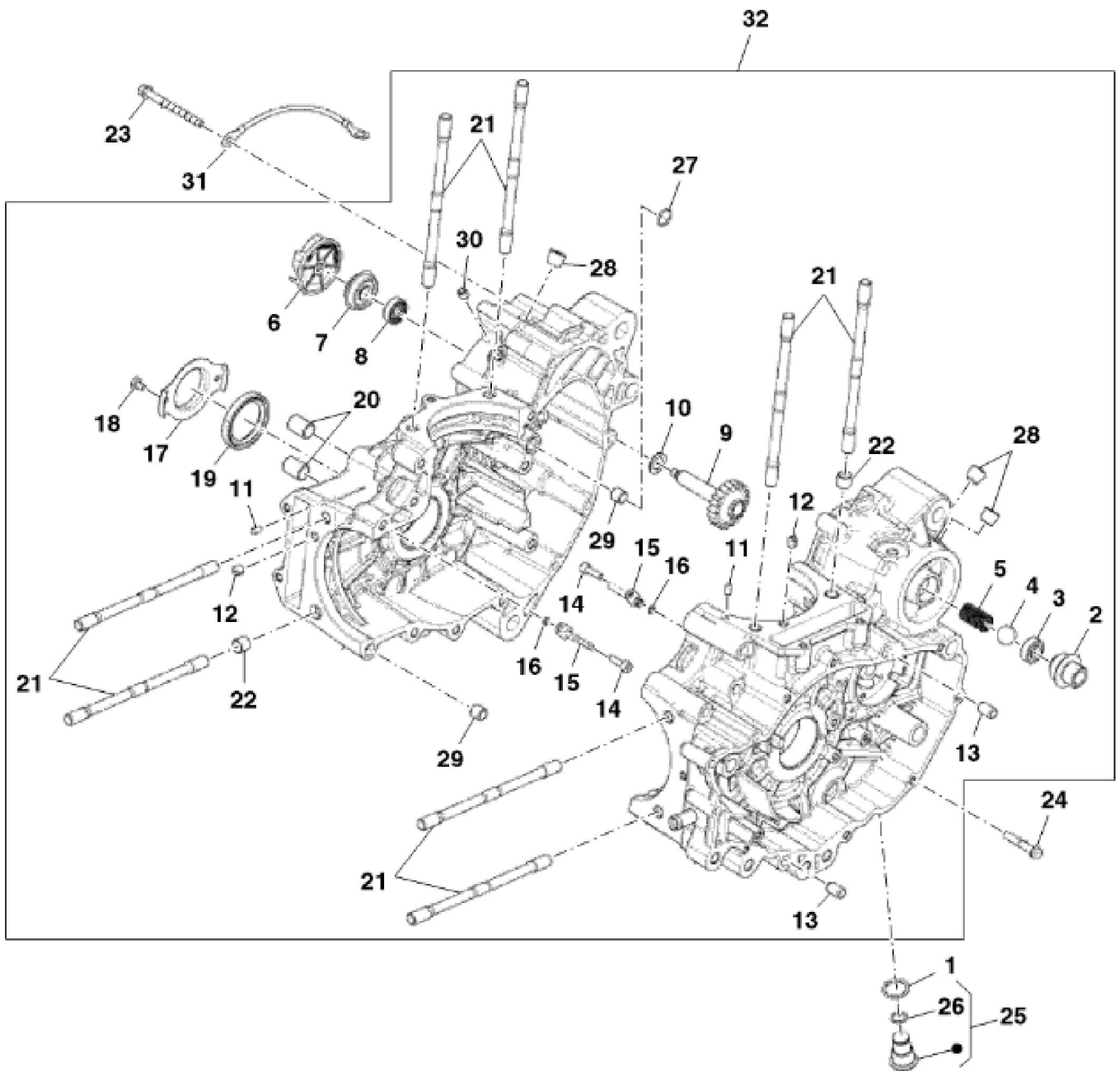
Hello dear friend!

Thank you very much for reading.

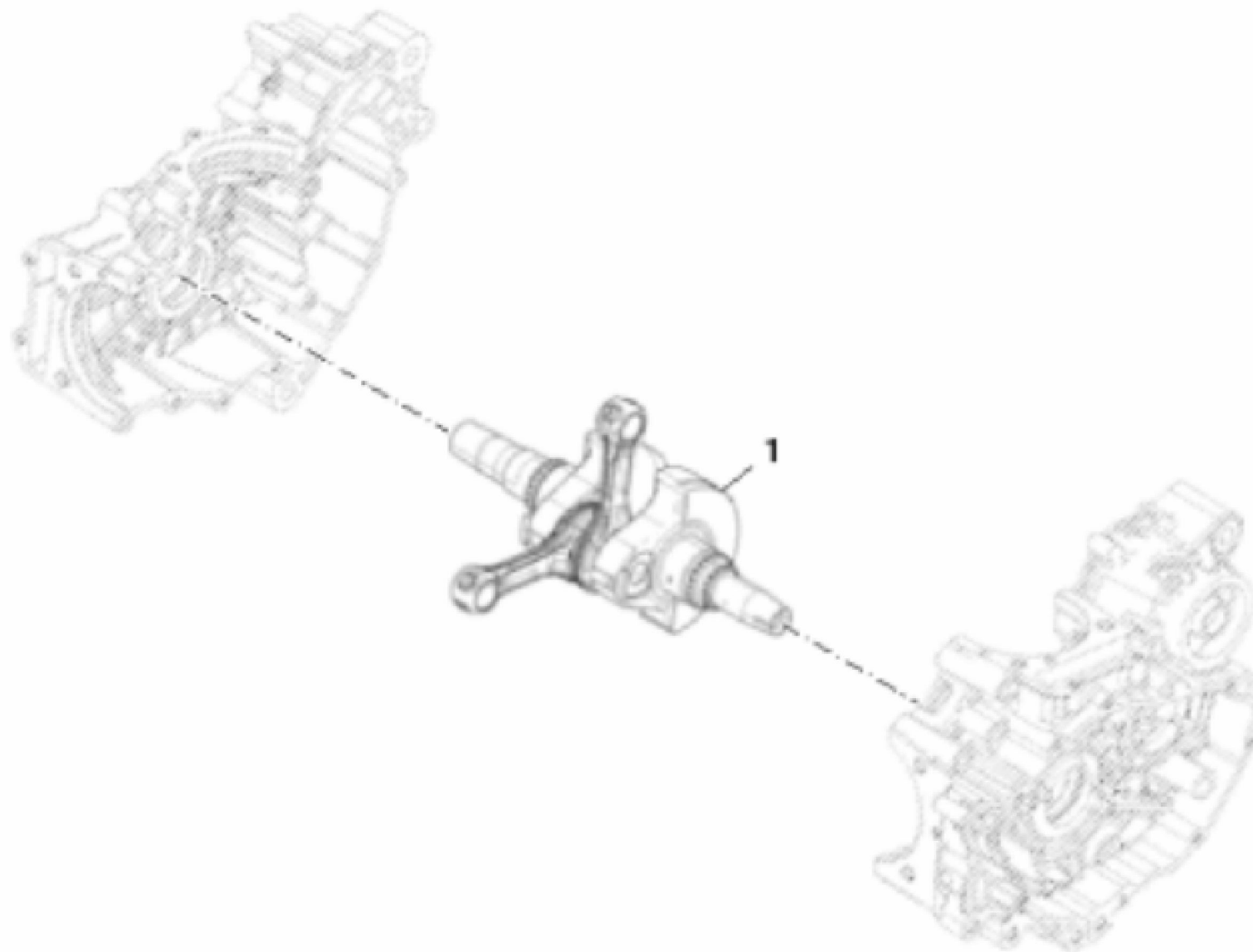
Enter the link into your browser.

The full manual is available for immediate download.

**<https://www.ebooklibonline.com>**



| KEY | PART NO. | PART NAME     | QTY | REMARKS                    |
|-----|----------|---------------|-----|----------------------------|
| 1   | MIU13479 | GASKET        | 1   |                            |
| 2   | MIU13489 | UNION FITTING | 1   |                            |
| 3   | MIU13347 | VALVE         | 1   | Oil Anti-Return            |
| 4   | MIU13395 | BALL          | 1   |                            |
| 5   | MIU13396 | SPRING        | 1   |                            |
| 6   | MIU13380 | IMPELLER      | 1   |                            |
| 7   | MIU13348 | GASKET        | 1   | Ring                       |
| 8   | MIU13349 | GASKET        | 1   | Ring                       |
| 9   | MIA12302 | WATER PUMP    | 1   | Shaft ASSY                 |
| 10  | MIU13461 | SHIM          | 1   |                            |
| 11  | MIU13462 | DOWEL PIN     | 2   |                            |
| 12  | MIU13397 | NOZZLE        | 2   |                            |
| 13  | MIU13457 | PIN           | 2   |                            |
| 14  | MIU13484 | SCREW         | 2   |                            |
| 15  | MIU13481 | JET           | 2   |                            |
| 16  | MIU13460 | GASKET        | 2   | Ring                       |
| 17  | MIU13490 | PLATE         | 1   |                            |
| 18  | MIU13398 | SCREW         | 2   |                            |
| 19  | MIU13350 | GASKET        | 1   |                            |
| 20  | MIU13493 | DOWEL PIN     | 2   |                            |
| 21  | MIU13426 | BOLT          | 8   |                            |
| 22  | MIU13458 | PIN           | 2   |                            |
| 23  | MIU13399 | SCREW         | 6   |                            |
| 24  | MIU13400 | SCREW         | 10  |                            |
| 25  | MIU13433 | PLUG          | 1   | Oil Unload                 |
| 26  | MIU13431 | O-RING        | 1   |                            |
| 27  | MIU13495 | O-RING        | 1   |                            |
| 28  | MIU13429 | PLUG          | 3   |                            |
| 29  | MIU13463 | DOWEL PIN     | 2   |                            |
| 30  | MIU13432 | PLUG          | 1   |                            |
| 31  | MIU13351 | CABLE         | 1   |                            |
| 32  | MIA12419 | CRANKCASE     | 1   | Match to Crankshaft Cat. 1 |
| 32  | MIA12420 | CRANKCASE     | 1   | Match to Crankshaft Cat. 2 |



PU04182



**Suggest:**

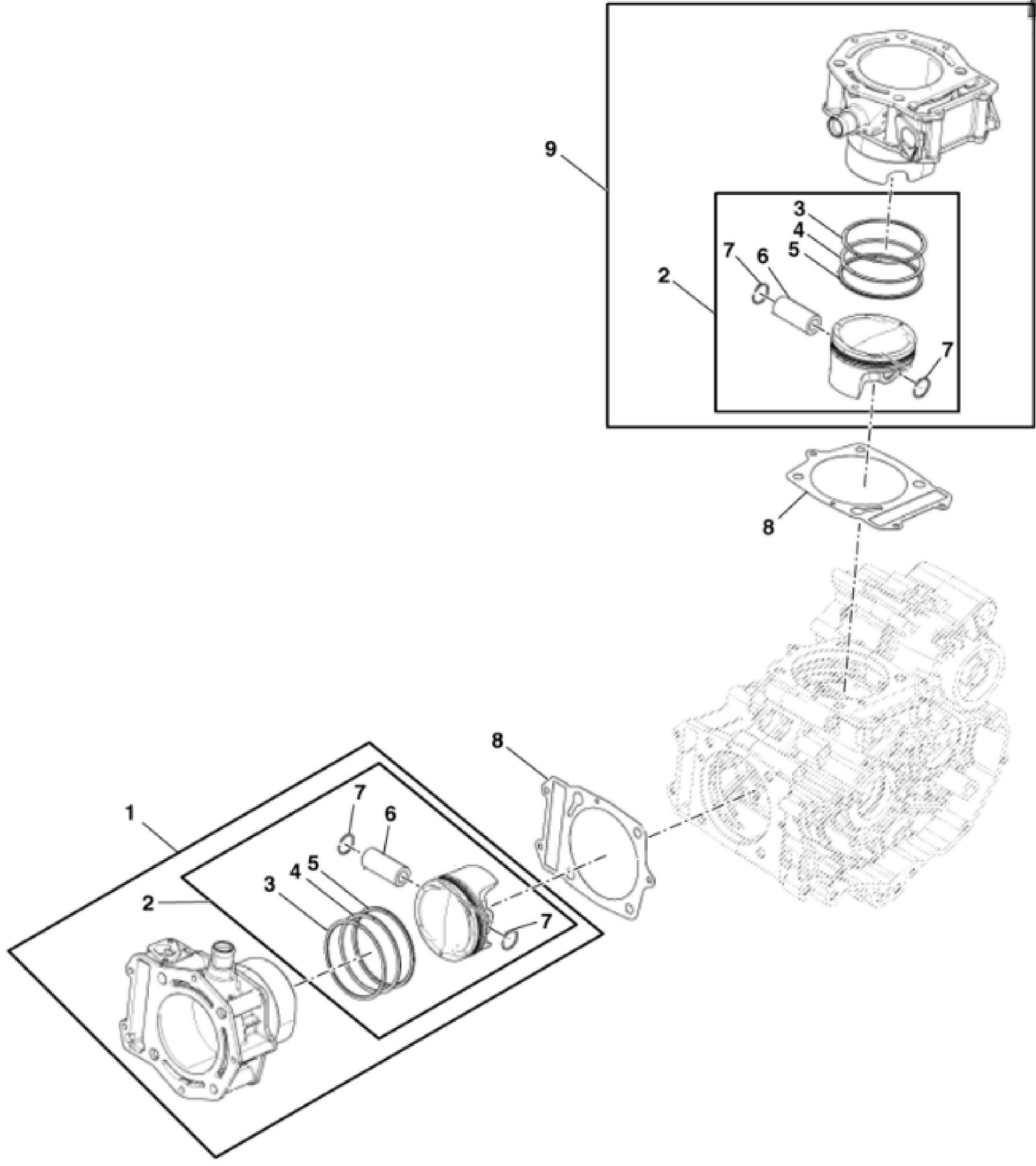
**For more complete manuals. Please go to the home page.**

**<https://www.ebooklibonline.com>**

**If the above button click is invalid. Please download this document first, and then click the above link to download the complete manual.**

**Thank you so much for reading**

| KEY | PART NO. | PART NAME  | QTY | REMARKS                              |  |
|-----|----------|------------|-----|--------------------------------------|--|
| 1   | MIA12303 | CRANKSHAFT | 1   | 45.010 - 45.016, MARKED Category - 1 |  |
| 1   | MIA12304 | CRANKSHAFT | 1   | 45.016 - 45.022, MARKED Category - 2 |  |



**<https://www.ebooklibonline.com>**

Hello dear friend!

Thank you very much for reading.

Enter the link into your browser.

The full manual is available for immediate download.

**<https://www.ebooklibonline.com>**