

MP42817

KEY	PART NO.	PART NAME	QTY	Serial No.	REMARKS
1	MIU800287	BOLT	14		
2	MIU800288	GASKET	1		NLA; ORDER MIU802005
2	MIU802005	GASKET	1		
3	CH18079	SPRING PIN	2		
4	M811807	PLUG	3		
5	CYLINDER BLOCK	1		
6	MIU800572	CAMSHAFT	1		
7	M87871	BOLT	3		
8	M811882	SHAFT	1		Idle Gear
9	M800006	DOWEL PIN	2		
10	CH10314	PLUG	1		
11	M802255	PIN	2		
12	M802254	PIN	2		
13	MIA880551	BEARING	4		STD
13	AM882418	BEARING KIT	4		0.25 MM (.010") US
14	AM882419	BEARING KIT	2		Thrust
15	M87801	PLUG	1		
16	BEARING CAP	1		
17	M87879	BOLT	8		
18	BEARING CAP	3		
19	MIA880295	CYLINDER BLOCK	1		
20	M811805	PLUG	4		
21	CH10335	PLUG	1		
22	M809593	PLUG	1		
23	MIA11222	ENGINE	1	_____-060000	Not Illustrated; MARKED 3TNV70-AJUV
23	MIA12260	DIESEL ENGINE	1	060001-____	Not Illustrated; MARKED 3TNV70
..	MIA880303	SHORT BLOCK ASSEMBLY	1		NLA; ORDER MIA882683
..	MIA882683	SHORT BLOCK ASSEMBLY	1		

<https://www.ebooklibonline.com>

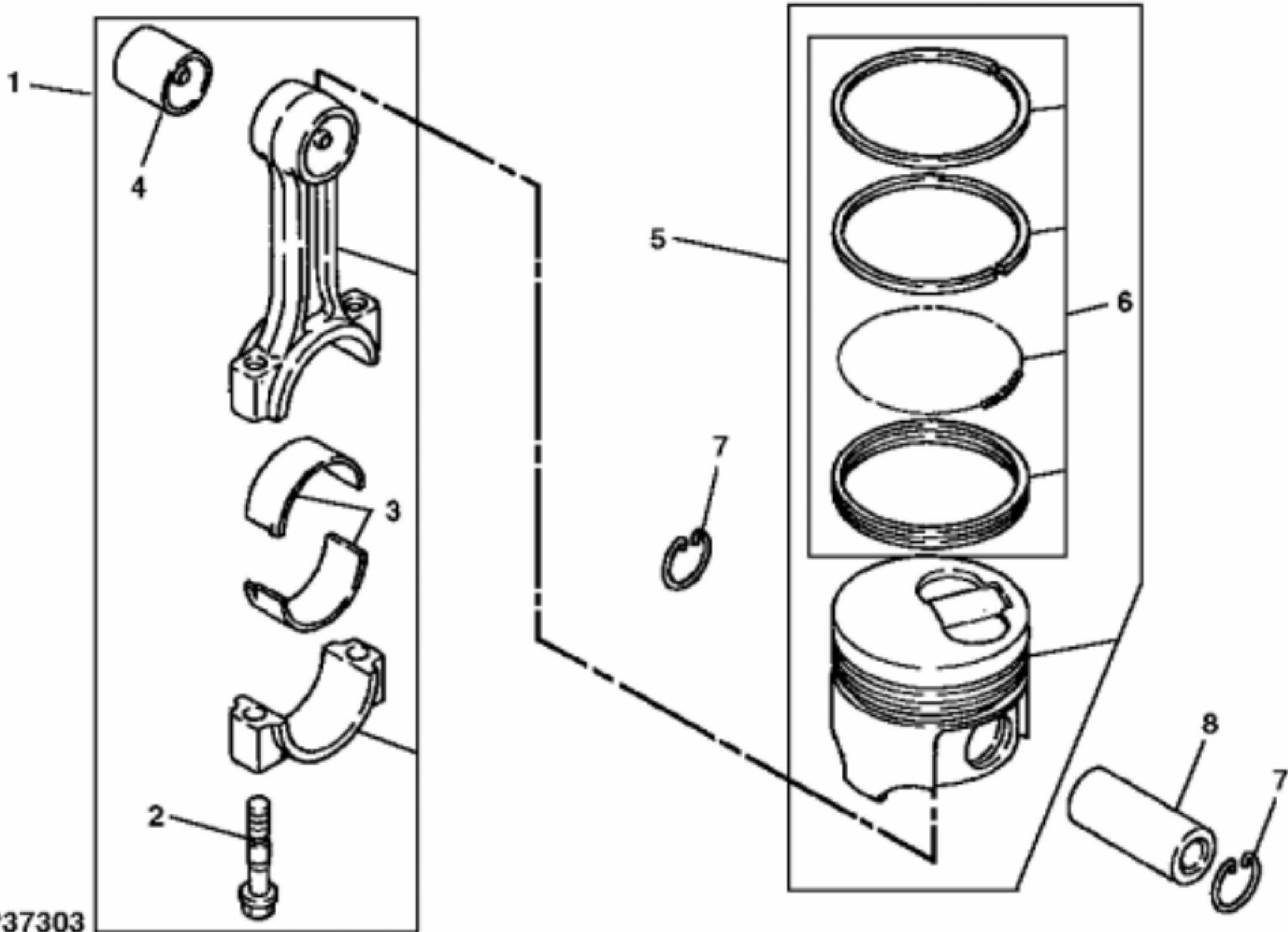
Hello dear friend!

Thank you very much for reading.

Enter the link into your browser.

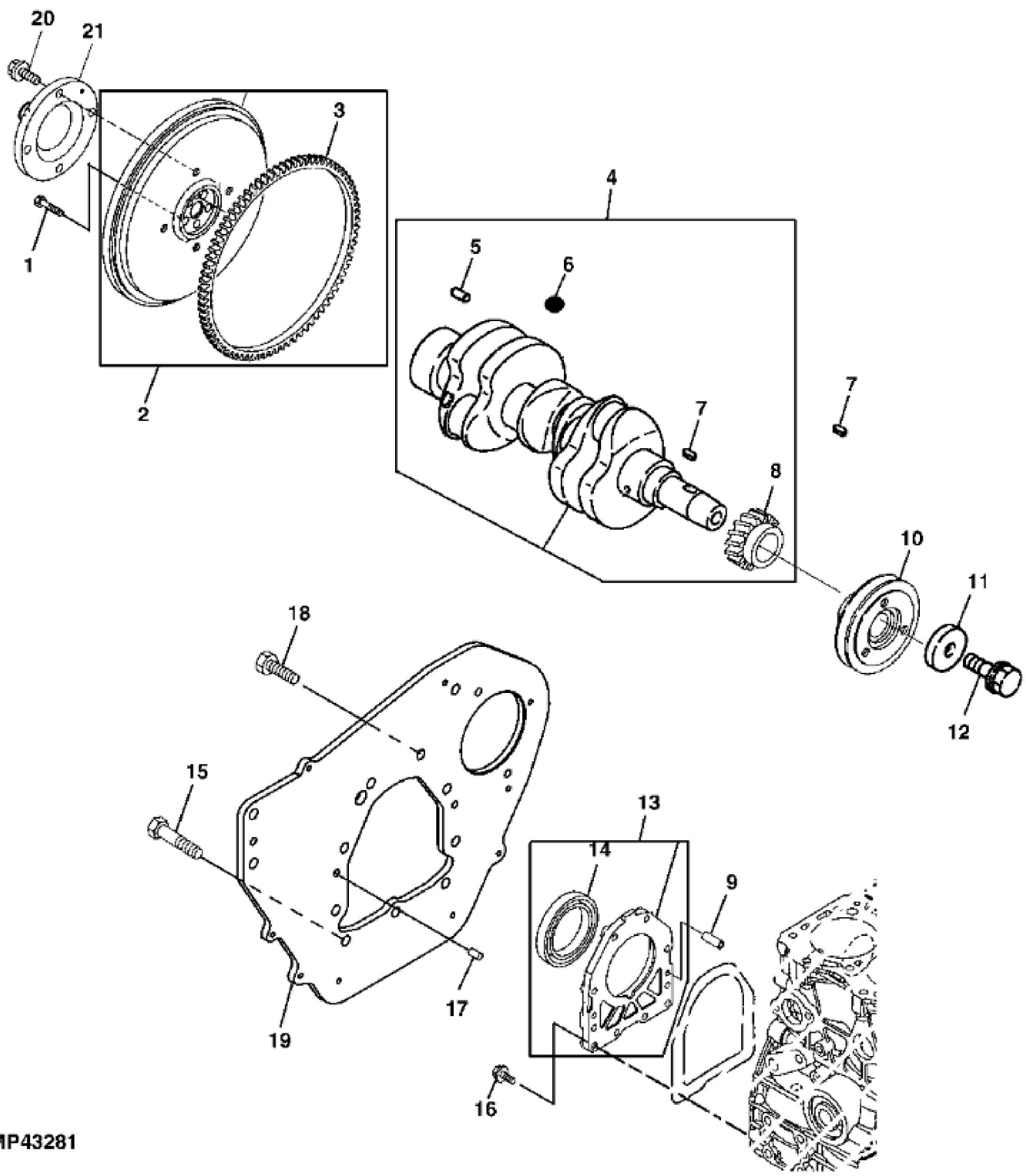
The full manual is available for immediate download.

<https://www.ebooklibonline.com>



MP37303

KEY	PART NO.	PART NAME	QTY	REMARKS	
1	MIA880289	CONNECTING ROD	3		
2	M811877	BOLT	2		
3	MIA880560	BEARING KIT	1	STD	
3	MIA880565	BEARING	1	0.25 MM (.010") US	
4	M811880	BUSHING	1		
5	MIA880283	PISTON	3	STD	
5	MIA880288	PISTON	3	0.25 MM (.010") OS	
6	MIA880285	PISTON RING KIT	1	STD	
6	MIA880286	PISTON RING KIT	1	0.25 MM (.010") OS	
7	CH11486	RING	6		
8	MIU800313	PISTON PIN	3		



MP43281



Suggest:

For more complete manuals. Please go to the home page.

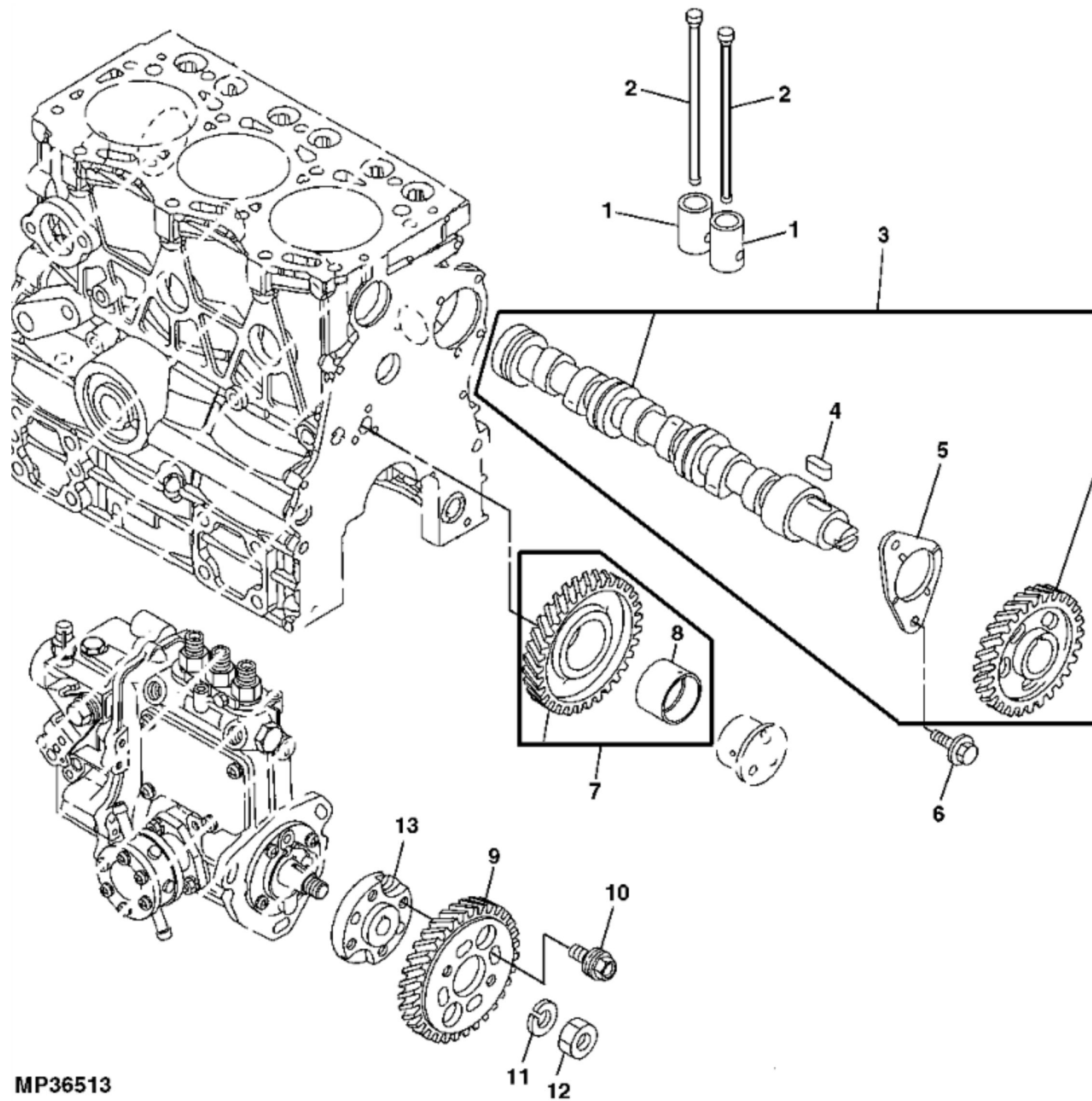
<https://www.ebooklibonline.com>

If the above button click is invalid. Please download this document first, and then click the above link to download the complete manual.

Thank you so much for reading

John Deere > Turf And Utility > UTILITY VEHICLE > M-GATOR - UTILITY VEHICLE > Military 4X4 Gator (A2) Utility Vehicle (M-GATOR) > 20 ENGINE MM16122 > ST564473 - CRANKSHAFT, FLYWHEEL AND MOUNTING FLANGE

KEY	PART NO.	PART NAME	QTY	Serial No.	REMARKS
1	M87887	BOLT	5		
2	MIA880632	FLYWHEEL	1		
3	M88025	RING GEAR	1		
4	MIA880282	CRANKSHAFT	1		
5	M802255	PIN	1		
6	400R	BALL	1		
7	M87812	SHAFT KEY	1		
8	M811864	GEAR	1		
9	M802254	PIN	2		
10	MIU800069	PULLEY	1		
11	M800308	WASHER	1		
12	MIU801499	BOLT	1		
13	MIA880302	HOUSING	1		
14	MIU800347	SEAL	1		
15	19M7402	CAP SCREW	3		M10 X 25
16	M87826	BOLT	10		
17	M802255	PIN	2		
18	M800011	BOLT	7		
19	MIU801495	FLANGE	1		ORDER MIU804163
19	MIU804163	FLANGE	1		
20	19M7402	CAP SCREW	4		M10 X 25
21	MIU800331	SHAFT	1	____-060000	
21	MIU13920	SHAFT	1	060001-____	



MP36513

<https://www.ebooklibonline.com>

Hello dear friend!

Thank you very much for reading.

Enter the link into your browser.

The full manual is available for immediate download.

<https://www.ebooklibonline.com>