

PU00524

| KEY | PART NO.  | PART NAME            | QTY | Serial No.    | REMARKS  |
|-----|-----------|----------------------|-----|---------------|--|
| 1   | M800984   | DIPSTICK             | 1   |               |  |
| 2   | M805231   | GUIDE                | 1   |               |  |
| 3   | 19M7865   | SCREW                | 1   |               | M8 X 16  |
| 4   | CH10571   | PACKING              | 1   |               |  |
| 5   | M89143    | GUIDE                | 1   |               |  |
| 6   | AM100800  | DRAIN VALVE          | 1   |               |  |
| 7   | AM100856  | SWITCH               | 1   |               | OIL PRESSURE   |
| 8   | M802255   | PIN                  | 2   |               |  |
| 9   | CH10335   | PLUG                 | 2   |               |  |
| 10  | M806840   | PLUG                 | 1   |               | (SUB FOR M800973)                                    |
| 11  | CH18079   | SPRING PIN           | 2   |               |  |
| 12  | 30M7023   | PLUG                 | 6   |               | (SUB FOR CH10642)                                    |
| 13  | 15H562    | PIPE PLUG            | 1   |               | 1"   |
| 14  | MIU800573 | CAMSHAFT             | 1   |               | (SUB FOR M800977)                                    |
| 15  | M800978   | SHAFT                | 1   |               | IDLE GEAR  |
| 16  | CH19101   | BOLT                 | 2   |               |  |
| 17  | M87801    | PLUG                 | 2   |               |  |
| 18  | MIA880559 | BEARING              | 4   |               | STD (SUB FOR AM875300)                               |
| 18  | MIA880549 | BEARING              | 4   |               | .25 MM (.010") US, (SUB FOR AM875302)                |
| 19  | M87879    | BOLT                 | 8   |               |  |
| 20  | M800974   | PIPE                 | 2   |               |  |
| 21  | M802255   | PIN                  | 2   |               |  |
| 22  | CH19995   | DRAIN PLUG           | 1   |               |  |
| 23  | MIA880553 | BEARING              | 2   |               | STD (SUB FOR AM875301)                               |
| 23  | MIA880557 | BEARING              | 2   |               | .25 MM (.010") OS, THRUST (SUB FOR AM875594)         |
| 24  | 15H558    | PIPE PLUG            | 1   |               | 1/8"   |
| 25  | AM875298  | CYLINDER BLOCK       | 1   |               |  |
| 26  | M800970   | BOLT                 | 14  |               |  |
| ..  | .....     | ENGINE               | 1   | ____-140000   | COMPLETE (3TN75-RJF) ( AM116955 NO LONGER AVAILABLE) |
| ..  | AM880660  | SHORT BLOCK ASSEMBLY | 1   | 200001-210000 | (COMPLETE) (NORTH AMERICA) (SUB FOR AM129536)        |
| ..  | AM129537  | DIESEL ENGINE        | 1   | 200001-210000 | NLA (COMPLETE) (EXPORT) (ORDER AM880660)             |

**<https://www.ebooklibonline.com>**

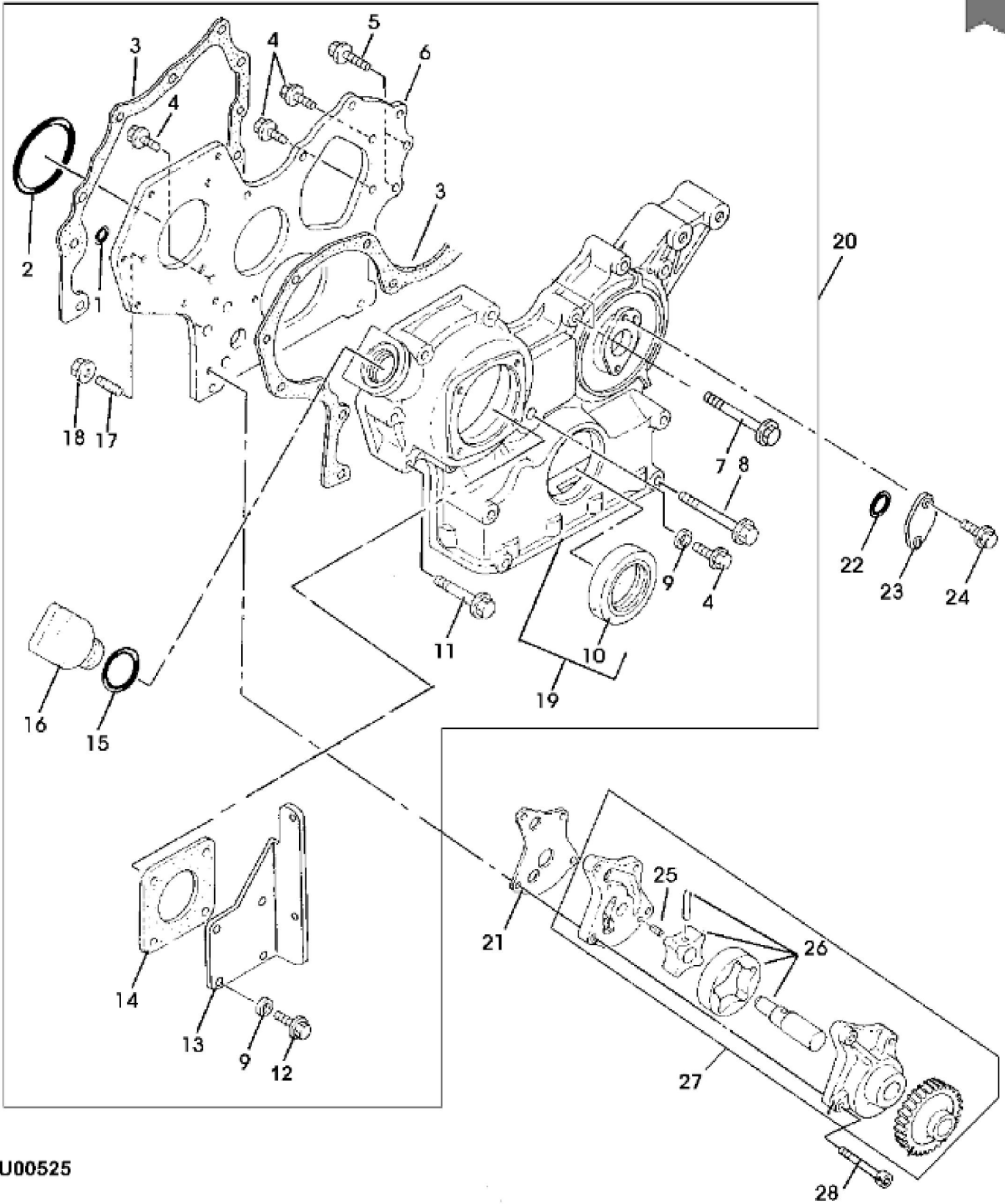
Hello dear friend!

Thank you very much for reading.

Enter the link into your browser.

The full manual is available for immediate download.

**<https://www.ebooklibonline.com>**



PU00525

| KEY | PART NO. | PART NAME  | QTY | REMARKS   |
|-----|----------|------------|-----|---|
| 1   | CH10570  | O-RING     | 2   |   |
| 2   | CH16940  | O-RING     | 1   |   |
| 3   | M64850   | SEALANT    | AR  | (NOT INCLUDED WITH HOUSING)                     |
| 4   | 19M7865  | SCREW      | 4   | M8 X 16   |
| 5   | 19M7866  | SCREW      | 2   | M8 X 20   |
| 6   | M800989  | PLATE      | 1   |   |
| 7   | 19M7979  | SCREW      | 3   | M8 X 55   |
| 8   | CH19136  | BOLT       | 4   |   |
| 9   | M803523  | WASHER     | 5   | (SUB FOR CH10645 OR M806424)                    |
| 10  | M800988  | SEAL       | 1   |   |
| 11  | CH19101  | BOLT       | 6   |   |
| 12  | 19M7864  | SCREW      | 4   | M8 X 12   |
| 13  | M805981  | BRACKET    | 1   |   |
| 14  | M805696  | GASKET     | 1   |   |
| 15  | M805711  | PACKING    | 1   |   |
| 16  | M805710  | CAP        | 1   |   |
| 17  | CH15722  | STUD       | 3   |   |
| 18  | 14M7298  | FLANGE NUT | 3   | M8  |
| 19  | AM875303 | COVER      | 1   | (ALSO ORDER M805981 AND M805696)                |
| 20  | AM878200 | GEAR CASE  | 1   | ASSY  |
| 21  | M801005  | GASKET     | 1   |   |
| 22  | CH13526  | PACKING    | 1   |   |
| 23  | M87874   | COVER      | 1   |   |
| 24  | M88089   | BOLT       | 2   |   |
| 25  | CH15933  | PIN        | 2   |   |
| 26  | .....    | ROTOR      | 1   | (AM875596 NO LONGER AVAILABLE) (ORDER AM878778) |
| 27  | AM878778 | PUMP       | 1   | (SUB FOR AM878786 OR AM880003)                  |
| 28  | M800676  | BOLT       | 4   |   |



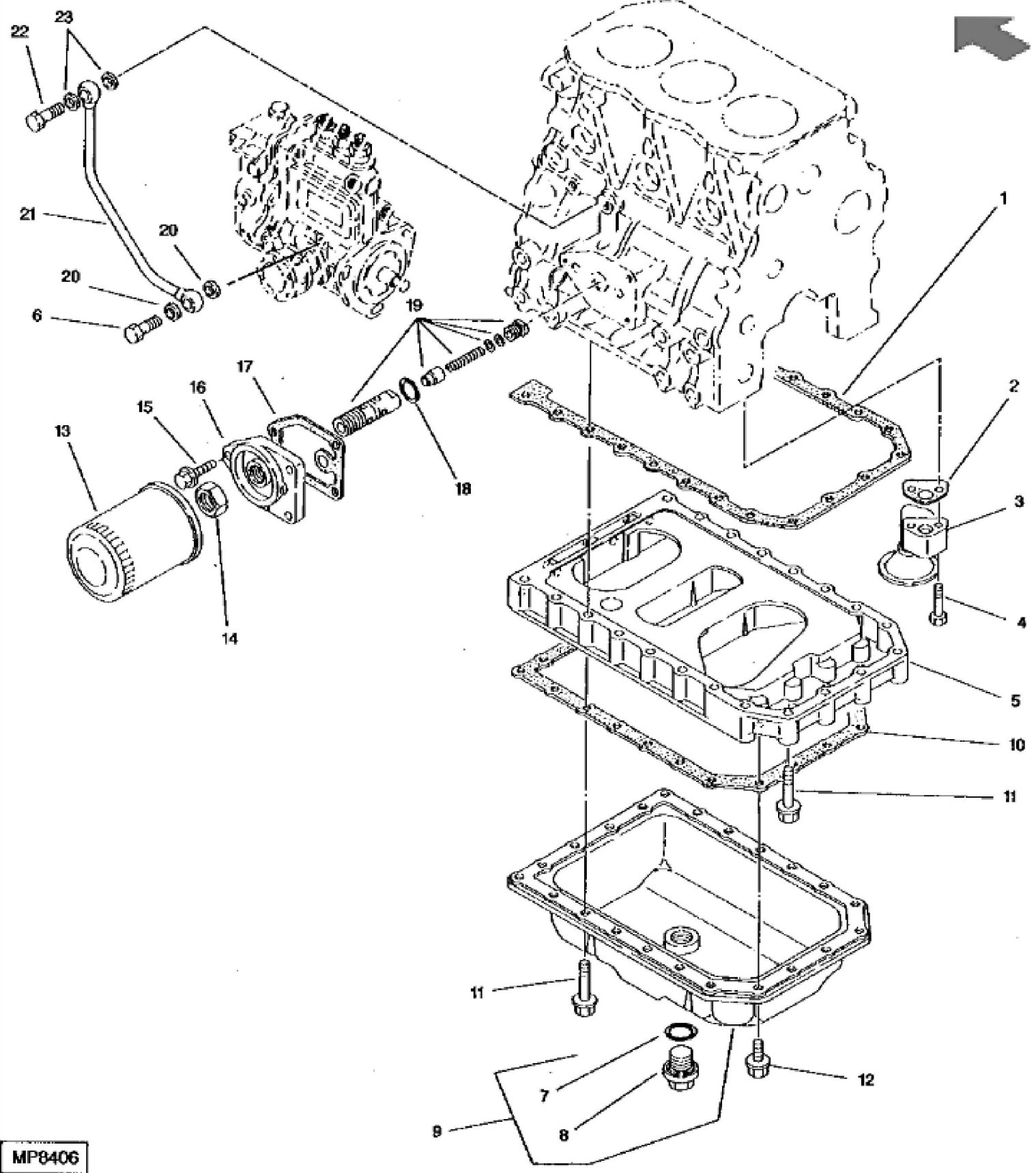
**Suggest:**

**For more complete manuals. Please go to the home page.**

**<https://www.ebooklibonline.com>**

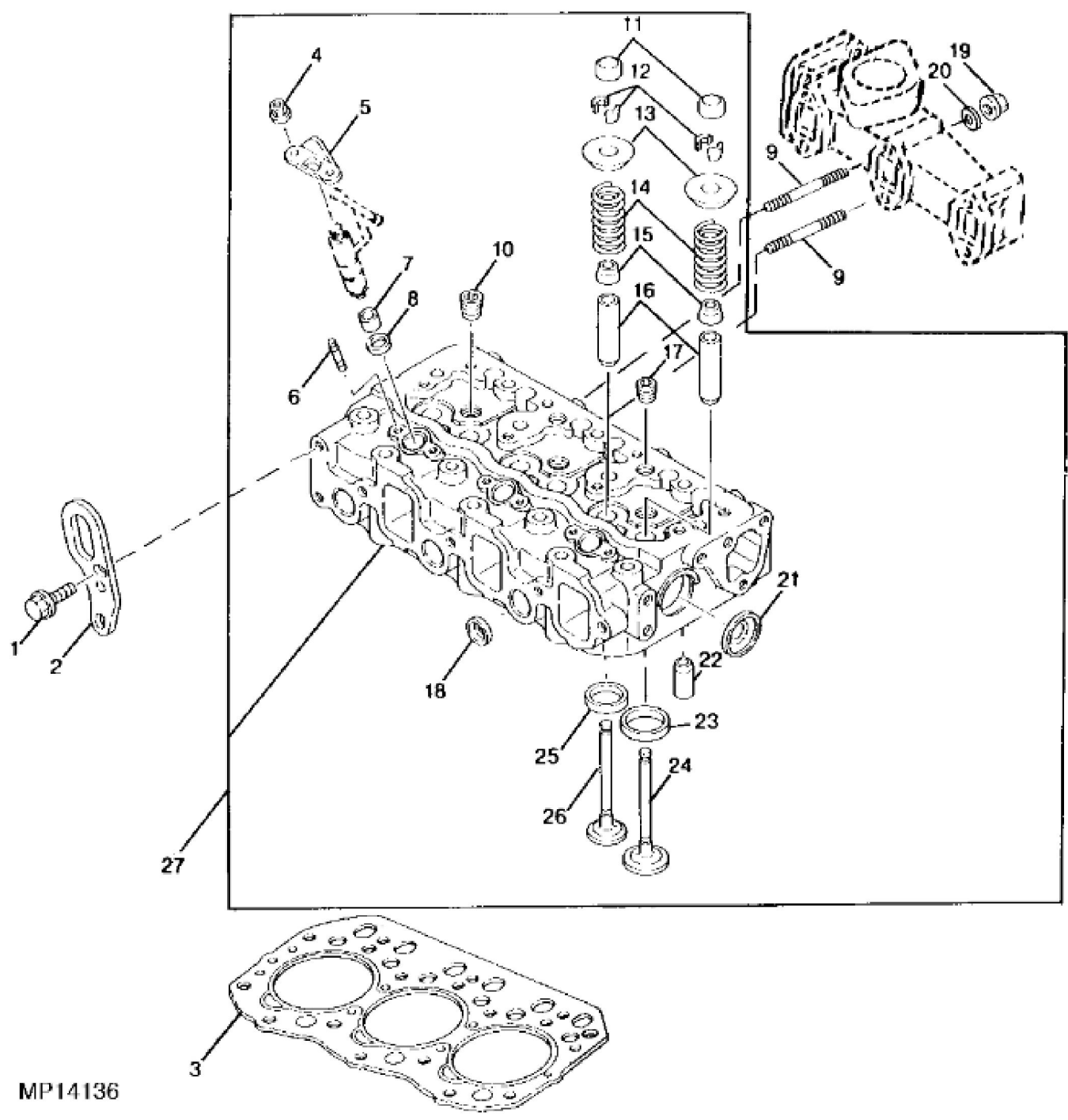
**If the above button click is invalid. Please download this document first, and then click the above link to download the complete manual.**

**Thank you so much for reading**



MP8406

| KEY | PART NO. | PART NAME            | QTY | REMARKS                |
|-----|----------|----------------------|-----|------------------------|
| 1   | M64850   | SEALANT              | AR  |                        |
| 2   | M811792  | GASKET               | 1   | (SUB FOR M811792)      |
| 3   | M800998  | STRAINER             | 1   |                        |
| 4   | 19M7897  | SCREW                | 2   | M8 X 35                |
| 5   | M800996  | INTERMEDIATE HOUSING | 1   |                        |
| 6   | CH15501  | BOLT                 | 1   |                        |
| 7   | CH13526  | PACKING              | 1   |                        |
| 8   | M800994  | DRAIN PLUG           | 1   |                        |
| 9   | AM875305 | RESERVOIR            | 1   |                        |
| 10  | M64850   | SEALANT              | AR  |                        |
| 11  | CH19101  | BOLT                 | 22  |                        |
| 12  | 19M7865  | SCREW                | 6   | M8 X 16                |
| 13  | M801002  | OIL FILTER           | 1   |                        |
| 14  | M89148   | NUT                  | 1   |                        |
| 15  | 19M7866  | SCREW                | 3   | M8 X 20                |
| 16  | M801000  | BRACKET              | 1   |                        |
| 17  | M805830  | GASKET               | 1   |                        |
| 18  | CH10570  | O-RING               | 1   |                        |
| 19  | AM880983 | VALVE                | 1   | KIT (SUB FOR AM875306) |
| 20  | CH10554  | PACKING              | 2   |                        |
| 21  | AM875325 | PIPE                 | 1   |                        |
| 22  | CH10361  | BOLT                 | 1   |                        |
| 23  | CH10555  | WASHER               | 2   |                        |



MP14136

**<https://www.ebooklibonline.com>**

Hello dear friend!

Thank you very much for reading.

Enter the link into your browser.

The full manual is available for immediate download.

**<https://www.ebooklibonline.com>**