

MP5404

KEY	PART NO.	PART NAME	QTY	Serial No.	REMARKS
1	AM876095	CYLINDER BLOCK	1		ASSEMBLY
2	M87866	BOLT	14		CYLINDER HEAD
3	M802221	GASKET	1		
4	CH18079	SPRING PIN	2		
5	CH10641	SEAL	1		
6	M802255	PIN	2		
7	30M7023	PLUG	6		(SUB FOR CH10642)
8	CH10335	PLUG	1		
9	M802254	PIN	2		
10	M809526	SWITCH	1		OIL PRESSURE (SUB FOR CH15500)
11	AM100800	DRAIN VALVE	1		ASSEMBLY
12	M89126	GASKET	1		
13	M89125	PLUG	1		NLA
14	15H558	PIPE PLUG	1		1/8"
15	M87862	BUSHING	1		CAMSHAFT
16	M800006	PIN	2		
17	M87801	PLUG	1		
18	19M7774	SCREW	3		M6 X 12
19	M89140	SHAFT	1		IDLE GEAR
20	M89139	PLATE	1		IDLE GEAR SHAFT
21	40M7080	SNAP RING	1		SUB FOR CH16769
22	19M7774	SCREW	2		M6 X 12
23	CH10568	PACKING	2		
24	M87879	BOLT	8		CAP, MAIN BEARING
25	AM100718	BEARING KIT	4		
25	AM100732	BEARING KIT	4		(0.25 UNDERSIZE), MAIN ASSEMBLY
26	AM100719	BEARING KIT	2		
27	M802068	DIPSTICK	1		NLA
28	CH15495	GUIDE	1		DIPSTICK
29	AM100444	ISOLATOR	4		VIBRATION
..	AM875911	GASOLINE ENGINE	1	____-000477	COMPLETE (SUB AM106259)
..	AM106259	GASOLINE ENGINE	1	000478-____	(NLA) COMPLETE (SUB FOR AM106260)

**<https://www.ebooklibonline.com>**

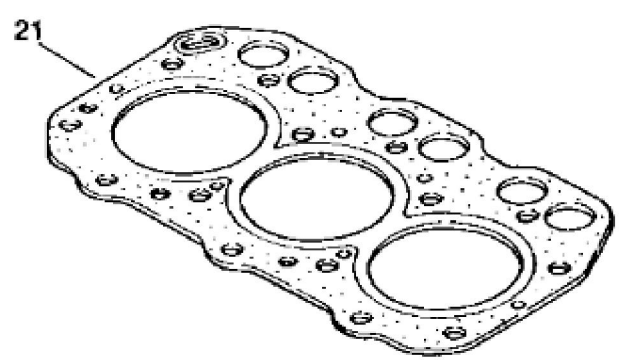
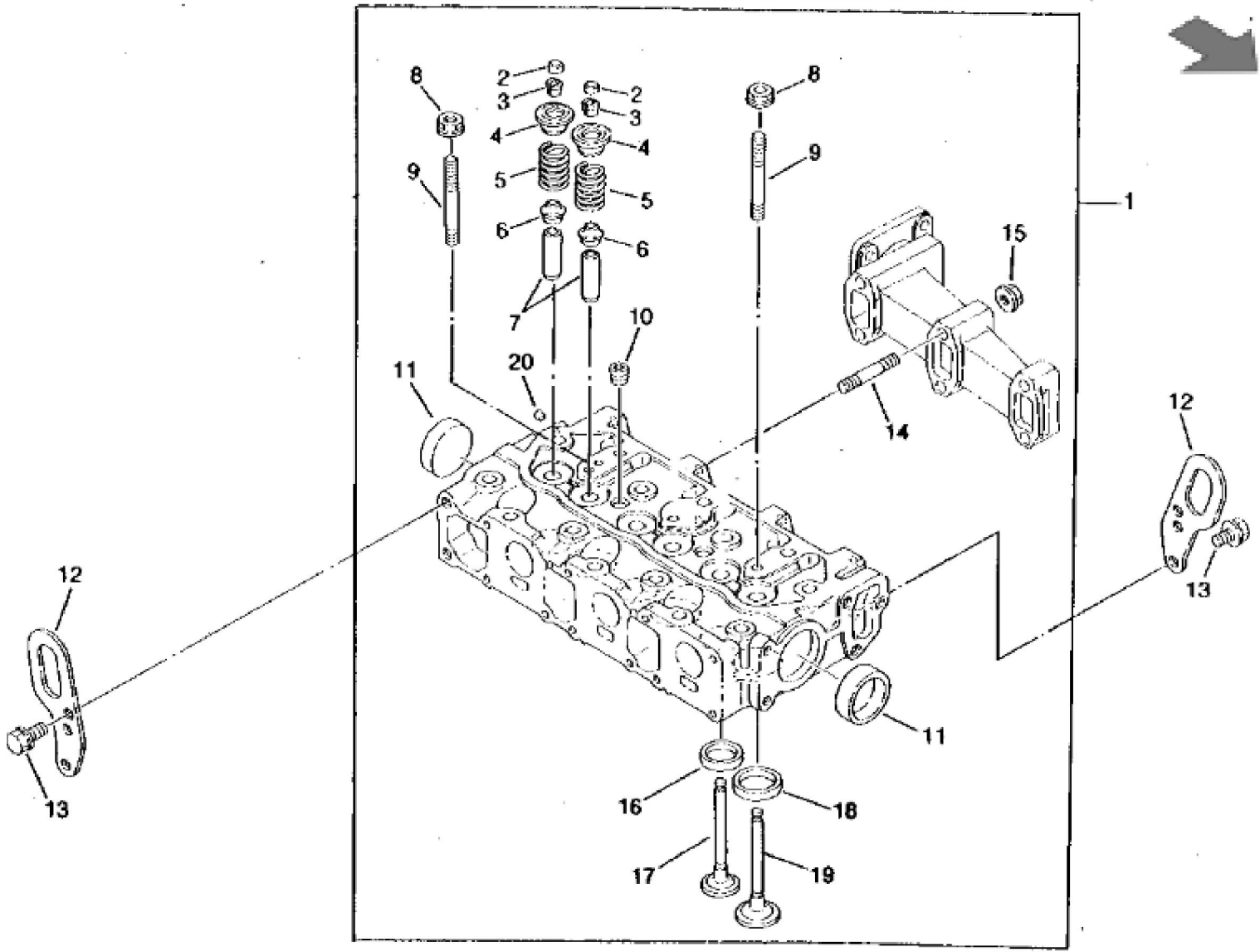
Hello dear friend!

Thank you very much for reading.

Enter the link into your browser.

The full manual is available for immediate download.

**<https://www.ebooklibonline.com>**



MP5405

KEY	PART NO.	PART NAME	QTY	REMARKS
1	AM876098	CYLINDER HEAD	1	ASSEMBLY
2	CH12585	CAP	6	VALVE HEAD
3	AM100828	RETAINER KIT	6	VALVE RETAINER (INCLUDES (2); BOTH SIDES) (SUB FOR (2) CH10054)
4	M87835	HOLDER	6	
5	M87834	SPRING	6	VALVE
6	CH10346	SEAL	6	VALVE STEM (SUB FOR CH15432)
7	M87863	GUIDE	6	VALVE
8	14M7298	FLANGE NUT	2	M8
9	M87836	STUD	2	
10	CH16747	PLUG	2	
11	CH16751	PLUG	2	
12	MIU800461	BRACKET	2	(SUB FOR M800066), LIFTING BRACKET
13	CH19780	BOLT	3	
14	M89136	STUD	2	
15	14M7273	NUT	2	M8, (ALSO ORDER 12M7065 LOCKWASHER)
16	M802227	VALVE SEAT	3	EXHAUST VALVE
17	M802228	EXHAUST VALVE	3	EXHAUST
18	M802226	VALVE SEAT	3	INTAKE VALVE
19	M87832	INTAKE VALVE	3	INTAKE
20	M87831	PLUG	1	
21	M805826	ENGINE CYLINDER HEAD GASKET	1	(BETWEEN CYLINDER HEAD AND BLOCK) (SUB FOR M802221)



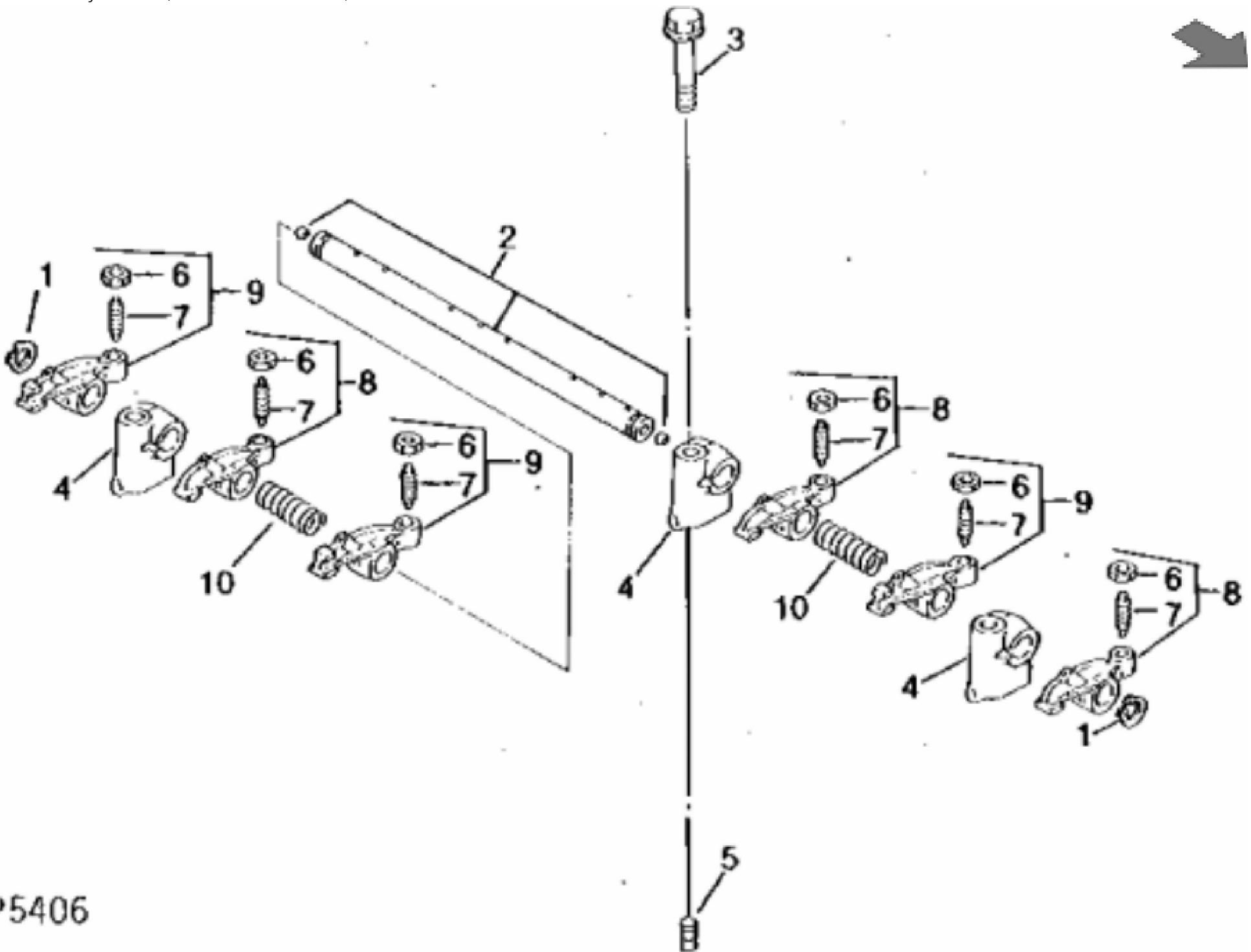
**Suggest:**

**For more complete manuals. Please go to the home page.**

**<https://www.ebooklibonline.com>**

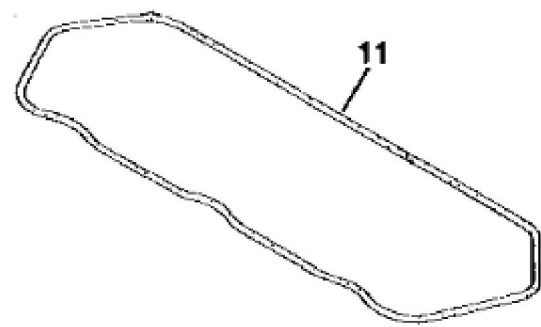
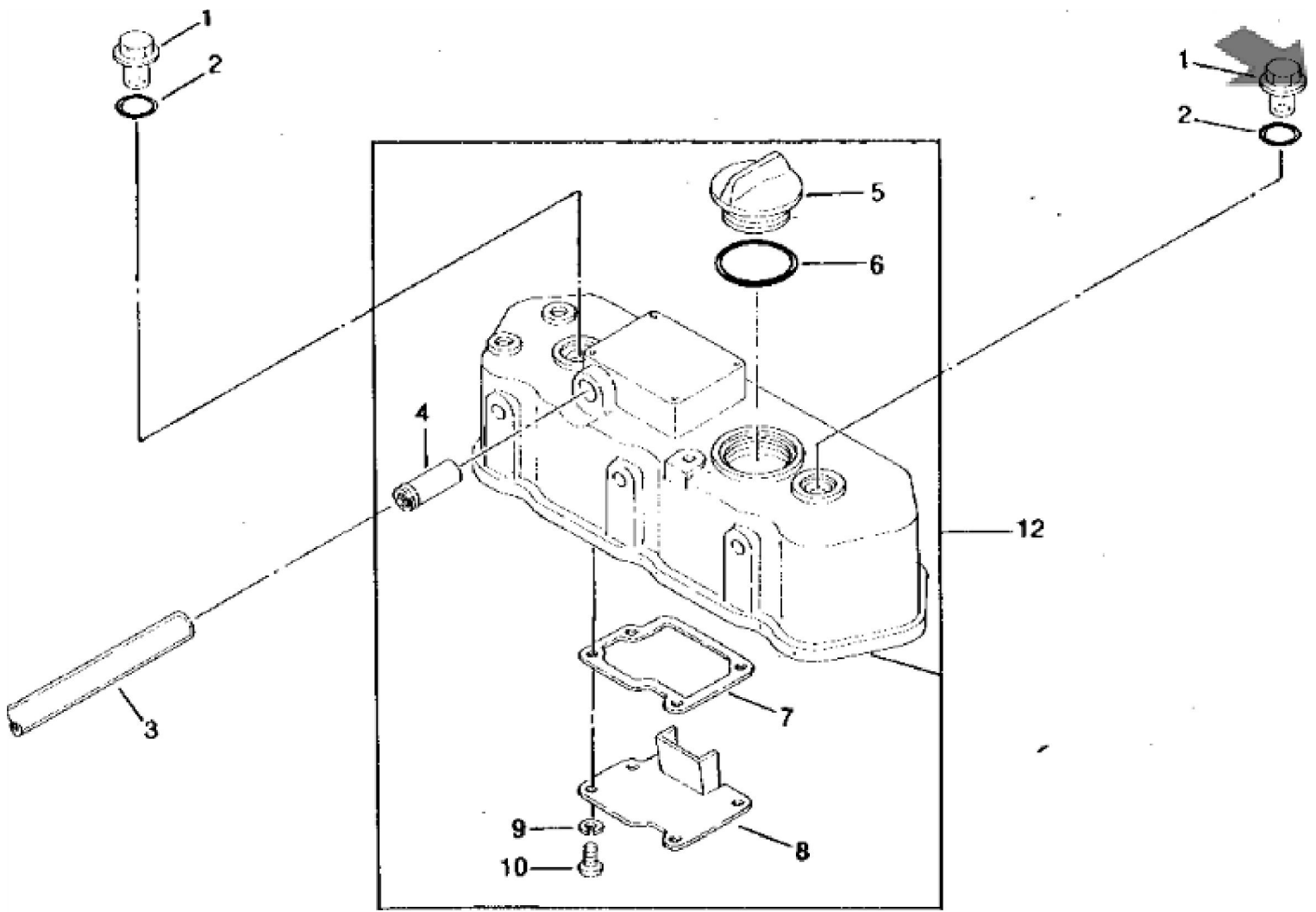
**If the above button click is invalid. Please download this document first, and then click the above link to download the complete manual.**

**Thank you so much for reading**



MP5406

KEY	PART NO.	PART NAME	QTY	REMARKS	
1	M87818	SNAP RING	2	(SUB FOR CH12379)	
2	AM100749	ROCKER ARM SHAFT	1	ARM ASSEMBLY (BALL PRESSED IN SHAFT)	
3	CH19101	BOLT	1		
4	M87891	SUPPORT	3		
5	M87893	SCREW	1		
6	14M7194	NUT	6	M6	
7	M87841	SCREW	6	VALVE	
8	AM100735	ARM	3	INTAKE ASSEMBLY	
9	AM100736	ARM	3	EXHAUST ASSEMBLY	
10	M87892	SPRING	2		



MP5407

**<https://www.ebooklibonline.com>**

Hello dear friend!

Thank you very much for reading.

Enter the link into your browser.

The full manual is available for immediate download.

**<https://www.ebooklibonline.com>**