

MP23698

KEY	PART NO.	PART NAME	QTY	REMARKS	
1	CH10061	RIVET	4		
2	M807374	SCREW	4	(SUB FOR M87839)	
3	M805710	CAP	1	OIL FILLER (SUB FOR CH10332)	
4	M805711	PACKING	1	(SUB FOR CH15414, THIS APPLICATION)	
5	CH10348	NUT	2		
6	CH10568	PACKING	2		
7	.....	VALVE COVER	1	(ORDER AM100734)	
8	M87854	ENGINE CYLINDER HEAD GASKET	1	CYLINDER HEAD COVER	
9	M805697	GASKET	1	BREATHER BAFFLE (SUB FOR M87838)	
10	M87837	DEFLECTOR	1	BREATHER BAFFLE	
11	M87840	FITTING	1		
12	AM100734	VALVE COVER	1		
13	CH15409	HOSE	AR		

**<https://www.ebooklibonline.com>**

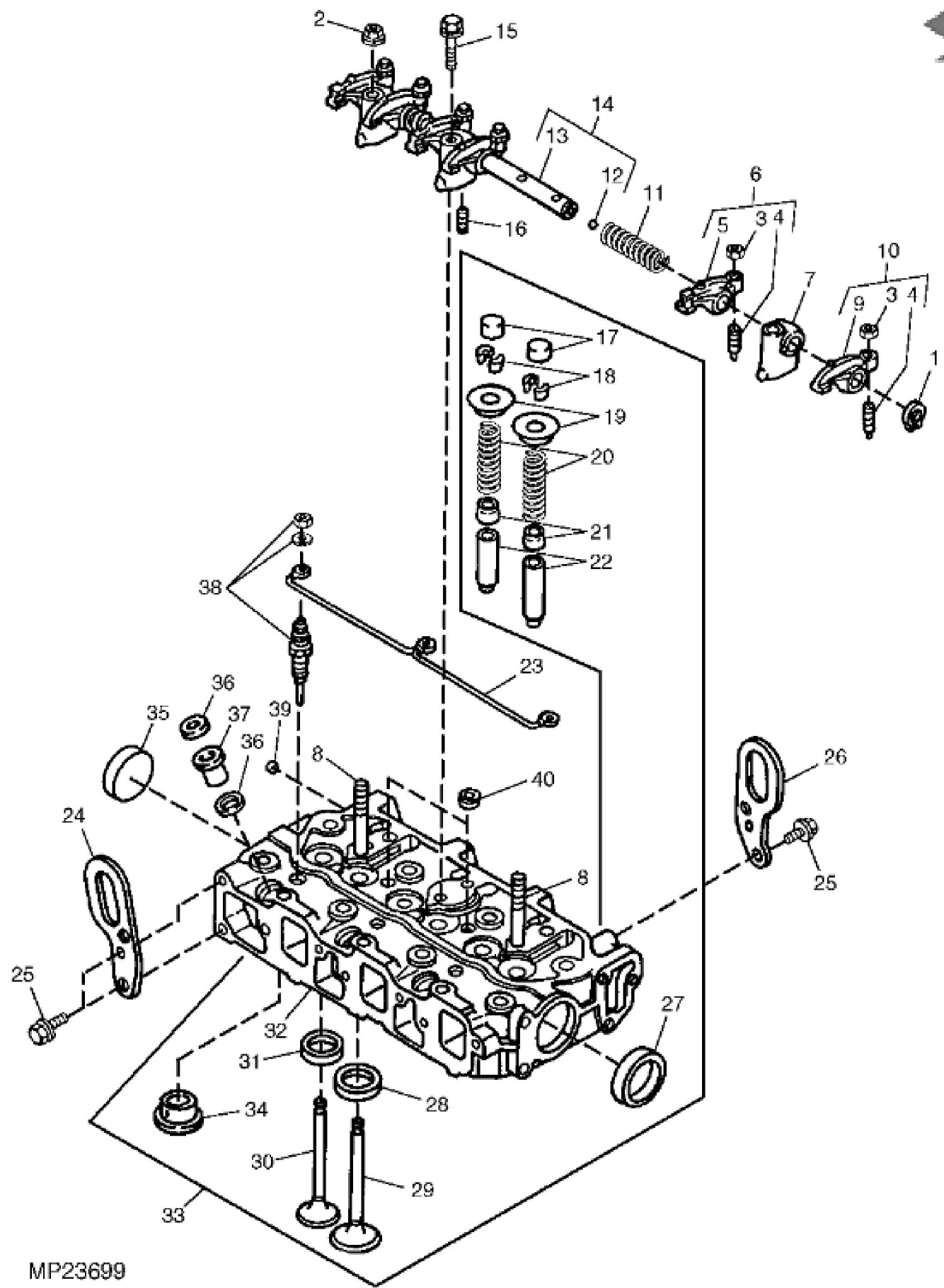
Hello dear friend!

Thank you very much for reading.

Enter the link into your browser.

The full manual is available for immediate download.

**<https://www.ebooklibonline.com>**



MP23699



**Suggest:**

**For more complete manuals. Please go to the home page.**

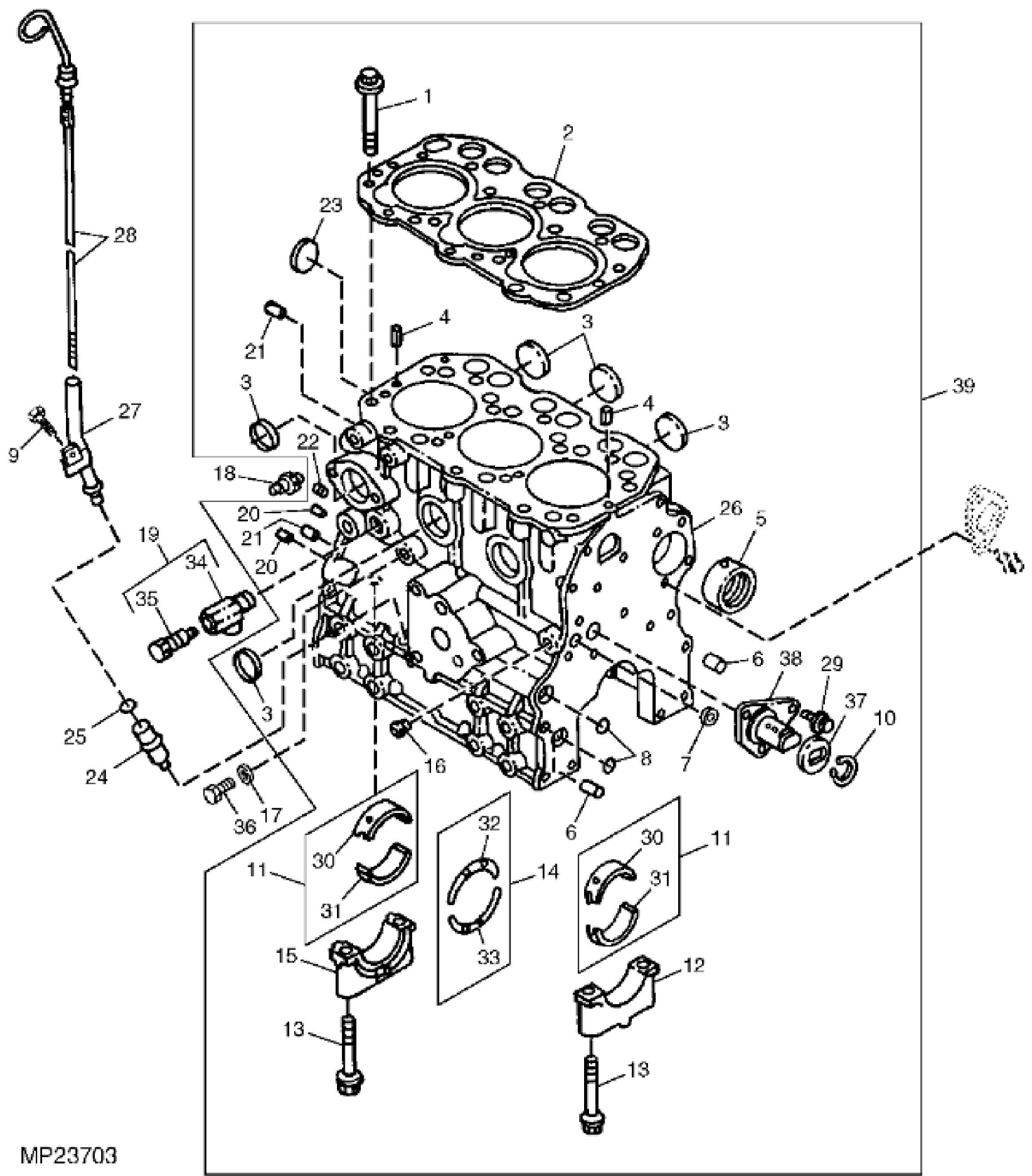
**<https://www.ebooklibonline.com>**

**If the above button click is invalid. Please download this document first, and then click the above link to download the complete manual.**

**Thank you so much for reading**

KEY	PART NO.	PART NAME	QTY	Serial No.	REMARKS
1	M87818	SNAP RING	2		
2	14M7298	FLANGE NUT	2		M8
3	14M7194	NUT	6		M6
4	M87841	SCREW	6		
5	.....	ROCKER ARM	3		EXHAUST (ORDER AM100736)
6	AM100736	ARM	3		EXHAUST
7	M87891	SUPPORT	3		(ROCKER ARM)
8	M87836	STUD	2		(ARM SUPPORT)
9	.....	ROCKER ARM	3		INTAKE (ORDER AM100735)
10	AM100735	ARM	3		INTAKE ASSY
11	M87892	SPRING	2		
12	400R	BALL	2		
13	.....	SHAFT	1		ROCKER ARM ASSY (ORDER AM100749)
14	AM100749	ROCKER ARM SHAFT	1		
15	CH19101	BOLT	1		
16	M87893	SCREW	1		5X16
17	CH12585	CAP	6		VALVE HEAD
18	AM100828	RETAINER KIT	6		PKG OF 2, VALVE RETAINER (BOTH SIDES) (SUB FOR (2) CH10054)
19	M87835	HOLDER	6		SPRING
20	M87834	SPRING	6		
21	CH10346	SEAL	3		VALVE
22	M87863	GUIDE	6		
23	M87920	ELEC. CONNECTOR TERMINAL	1		GLOW PLUG
24	MIU800461	BRACKET	1	____-XXXXXX	(SHOWN) (SUB FOR M800066)
24	M96527	BRACKET	1	XXXXXX-____	ENGINE MARKED 3TNA72C-EUJ2F
25	CH19780	BOLT	3		OIL PAN
26	MIU800461	BRACKET	2		(SUB FOR M800066)
27	CH16751	PLUG	2		
28	M87829	VALVE SEAT INSERT	3		INTAKE
29	M87832	INTAKE VALVE	3		INTAKE
30	M87833	VALVE	3		EXHAUST
31	M87830	VALVE SEAT INSERT	3		EXHAUST
32	.....	CYLINDER HEAD	1		(ORDER AM101398)

KEY	PART NO.	PART NAME	QTY	Serial No.	REMARKS
33	AM101398	CYLINDER HEAD	1		(INCLUDES (3) M89134, M87831, (2) CH16747, (2) M87836 AND (2) 14M7298)
34	.....	PLUG	3		(ORDER AM101398)
35	CH16751	PLUG	1		
36	M89135	GASKET	6		FUEL INJECTION NOZZLE
37	M89134	PACKING	3		FUEL INJECTION NOZZLE
38	M87919	GLOW PLUG	3		
39	M87831	PLUG	1		5X8
40	CH16747	PLUG	2		TAPER
40	15H559	PIPE PLUG	2		1/4", ENGINE MARKED 3TNA72C-EUJ2F



MP23703

**<https://www.ebooklibonline.com>**

Hello dear friend!

Thank you very much for reading.

Enter the link into your browser.

The full manual is available for immediate download.

**<https://www.ebooklibonline.com>**