

PU00844

| KEY | PART NO.  | PART NAME            | QTY | REMARKS   |
|-----|-----------|----------------------|-----|---|
| 1   | M87810    | FLANGE               | 1   |   |
| 2   | 19M7774   | SCREW                | 2   | M6 X 12   |
| 3   | CH10568   | PACKING              | 2   |   |
| 4   | 30M7023   | PLUG                 | 2   | (SUB FOR CH10642)                                       |
| 5   | M806843   | PLUG                 | 1   | STEEL (SUB FOR CH10640)                                 |
| 6   | CH17101   | PLUG                 | 4   |   |
| 7   | M800013   | BUSHING              | 1   | CAMSHAFT  |
| 8   | M800006   | DOWEL PIN            | 2   | KNOCK PIPE  |
| 9   | M800002   | PLUG                 | 2   | NO.10   |
| 10  | M89140    | SHAFT                | 1   | IDLE GEAR   |
| 11  | 19M7774   | SCREW                | 3   | M6 X 12   |
| 12  | M89139    | PLATE                | 1   | IDLE GEAR SHAFT   |
| 13  | 40M7080   | SNAP RING            | 1   |   |
| 14  | AM875059  | BEARING KIT          | 4   | STD   |
| 14  | AM875026  | BEARING KIT          | 4   | 0.25 MM (.010") OS                                      |
| 15  | M800012   | BOLT                 | 8   |   |
| 16  | M89143    | GUIDE                | 1   | DIPSTICK  |
| 17  | CH10571   | PACKING              | 1   |   |
| 18  | AM875060  | BEARING KIT          | 2   | THRUST  |
| 19  | CH15478   | PLUG                 | 1   |   |
| 20  | CH10314   | PLUG                 | 2   |   |
| 21  | AM100800  | DRAIN VALVE          | 1   |   |
| 22  | M802254   | PIN                  | 2   | (SUB FOR M87808, THIS APPLICATION)                      |
| 23  | M802255   | PIN                  | 2   | (SUB FOR CH10534, THIS APPLICATION)                     |
| 24  | M809526   | SWITCH               | 1   | OIL PRESSURE (SUB FOR CH15500)                          |
| 25  | AM875018  | CYLINDER BLOCK       | 1   | KIT   |
| 26  | M800420   | DIPSTICK             | 1   |   |
| 27  | M800045   | GUIDE                | 1   |   |
| 28  | 19M7300   | CAP SCREW            | 1   | M6 X 10   |
| ..  | AM875912  | DIESEL ENGINE        | 1   | COMPLETE (SUB FOR AM875571 AND AM875913) (SUB AM875017) |
| ..  | MIA882702 | SHORT BLOCK ASSEMBLY | 1   | SUB FOR AM875017  |

**<https://www.ebooklibonline.com>**

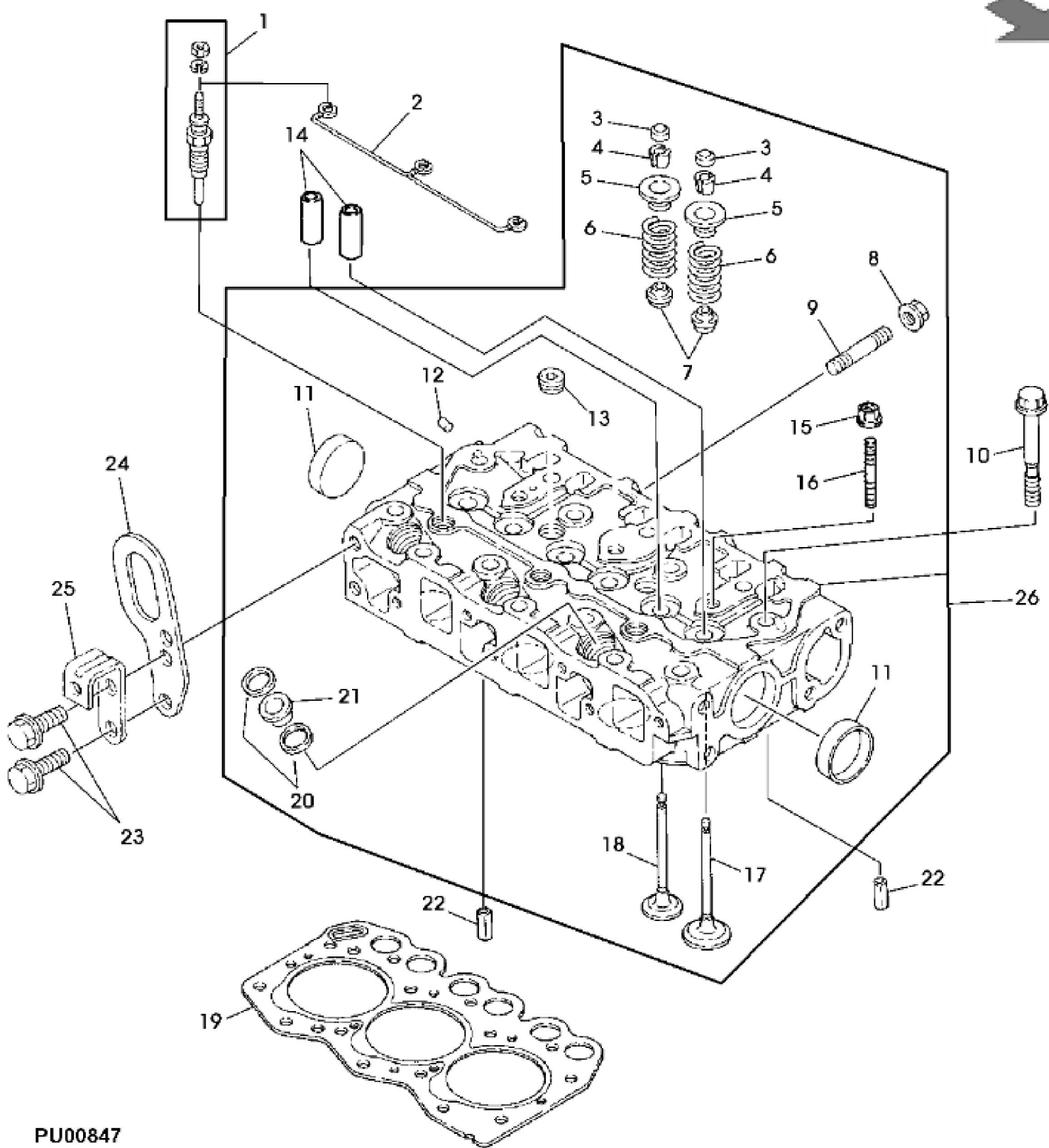
Hello dear friend!

Thank you very much for reading.

Enter the link into your browser.

The full manual is available for immediate download.

**<https://www.ebooklibonline.com>**



PU00847

| KEY | PART NO.  | PART NAME                   | QTY | REMARKS   |
|-----|-----------|-----------------------------|-----|---|
| 1   | M87919    | GLOW PLUG                   | 3   |   |
| 2   | M87920    | ELEC. CONNECTOR TERMINAL    | 1   |   |
| 3   | M800023   | CAP                         | 6   |   |
| 4   | AM878864  | RETAINER KIT                | 6   | (PKG OF 2), (BOTH SIDES) VALVE RETAINER (SUB FOR (2) M800021) |
| 5   | M800020   | HOLDER                      | 6   | SPRING  |
| 6   | M800019   | SPRING                      | 6   | VALVE   |
| 7   | M800022   | SEAL                        | 6   | NLA; ORDER MIU801996; VALVE                                   |
| 7   | MIU801996 | SEAL                        | 6   |   |
| 8   | 14M7303   | FLANGE NUT                  | 2   | M6  |
| 9   | M800034   | STUD                        | 2   | 6 X 40  |
| 10  | M800003   | BOLT                        | 14  | CYLINDER HEAD   |
| 11  | CH17438   | PLUG                        | 2   |   |
| 12  | M87831    | PLUG                        | 1   | 5 X 8   |
| 13  | CH16747   | PLUG                        | 2   | TAPER PLUG  |
| 14  | M800067   | GUIDE                       | 6   | VALVE   |
| 15  | 14M7298   | FLANGE NUT                  | 2   | M8  |
| 16  | M87836    | STUD                        | 2   | ARM SUPPORT   |
| 17  | M800017   | INTAKE VALVE                | 3   |   |
| 18  | M800018   | EXHAUST VALVE               | 3   |   |
| 19  | M800004   | ENGINE CYLINDER HEAD GASKET | 1   | CYLINDER HEAD (SUB FOR M801790)                               |
| 20  | M89135    | GASKET                      | 6   | FUEL INJECTION NOZZLE   |
| 21  | M89134    | PACKING                     | 3   | FUEL INJECTION NOZZLE   |
| 22  | CH18079   | SPRING PIN                  | 2   |   |
| 23  | 19M7865   | SCREW                       | 2   | M8 X 16   |
| 24  | MIU800461 | BRACKET                     | 1   | (SUB FOR M800066) LIFT  |
| 25  | M802216   | BRACKET                     | 1   | FUEL FILTER   |
| 26  | AM875030  | CYLINDER HEAD               | 1   | (SUB FOR AM875561)  |



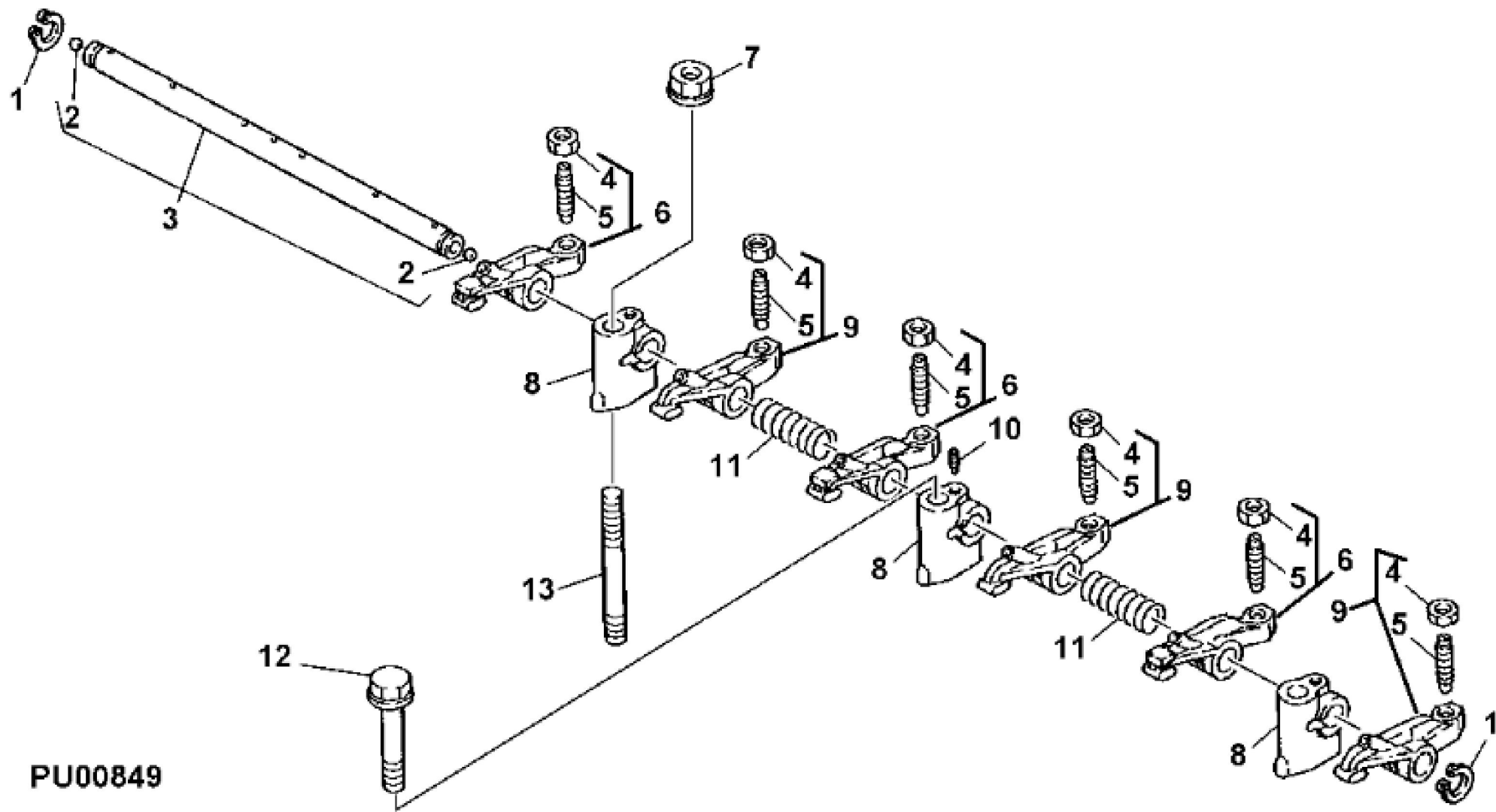
**Suggest:**

**For more complete manuals. Please go to the home page.**

**<https://www.ebooklibonline.com>**

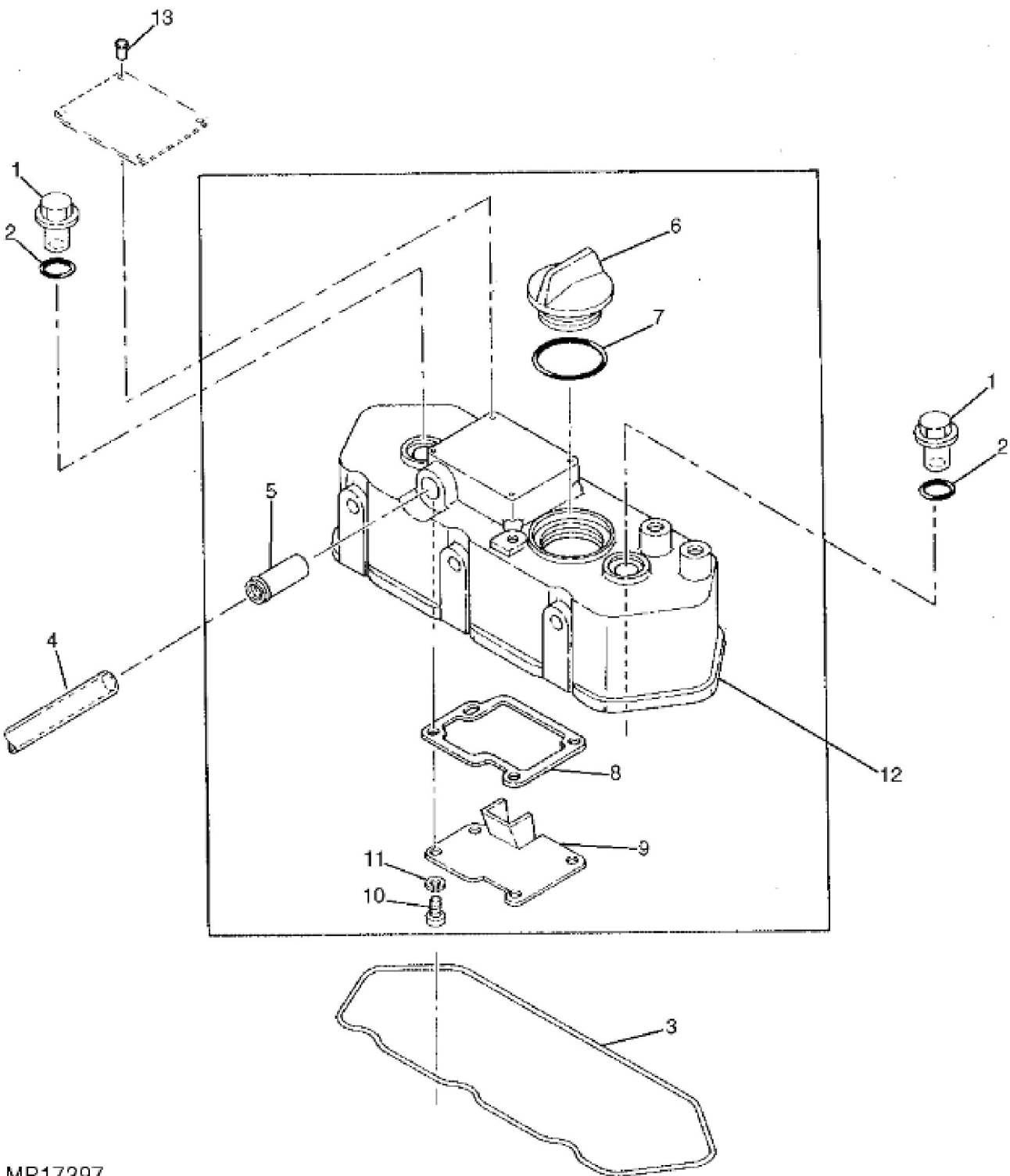
**If the above button click is invalid. Please download this document first, and then click the above link to download the complete manual.**

**Thank you so much for reading**



PU00849

| KEY | PART NO. | PART NAME          | QTY | REMARKS           |  |
|-----|----------|--------------------|-----|-------------------|--|
| 1   | CH17950  | RING               | 2   |                   |  |
| 2   | R63075   | BALL               | 2   | (SUB FOR CH18341) |  |
| 3   | AM875002 | ROCKER ARM SHAFT   | 1   | SHAFT ASSEMBLY    |  |
| 4   | 14M7194  | NUT                | 6   | M6                |  |
| 5   | M87841   | SCREW              | 6   |                   |  |
| 6   | AM875029 | ROCKER ARM         | 3   | EXHAUST           |  |
| 7   | 14M7298  | FLANGE NUT         | 2   | M8                |  |
| 8   | M800024  | SUPPORT            | 3   | ROCKER ARM        |  |
| 9   | AM875028 | ROCKER ARM         | 3   | INTAKE            |  |
| 10  | M800069  | SELF-LOCKING SCREW | 1   |                   |  |
| 11  | M800025  | SPRING             | 2   |                   |  |
| 12  | CH19101  | BOLT               | 1   |                   |  |
| 13  | M87836   | STUD               | 2   | ARM SUPPORT       |  |



MP17297

**<https://www.ebooklibonline.com>**

Hello dear friend!

Thank you very much for reading.

Enter the link into your browser.

The full manual is available for immediate download.

**<https://www.ebooklibonline.com>**